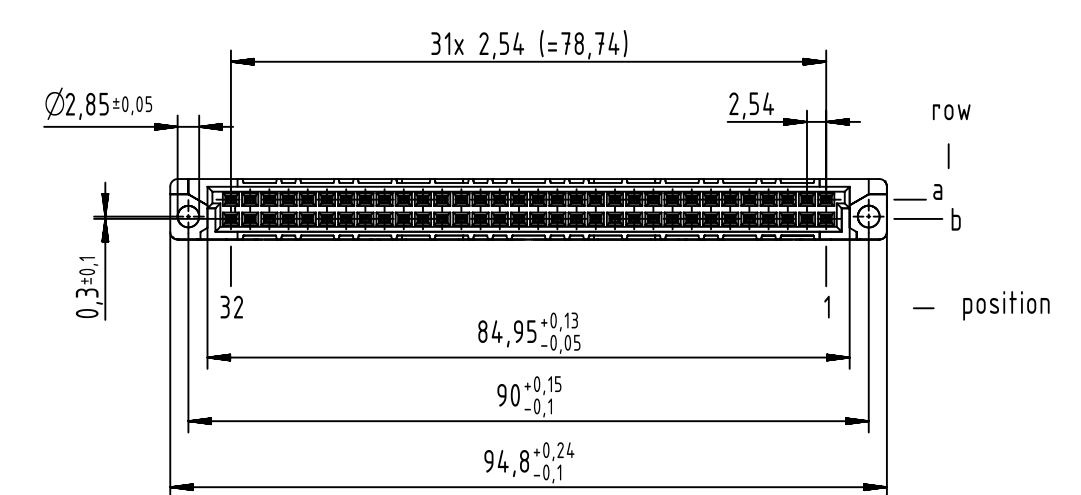
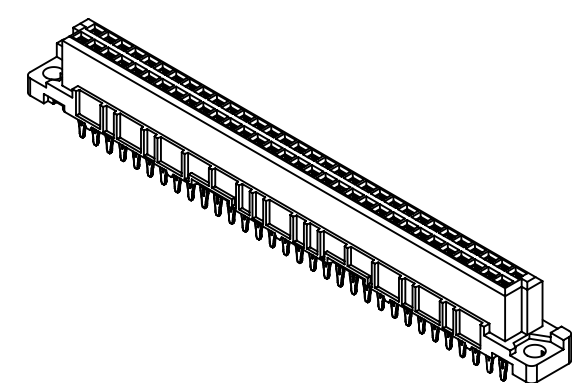
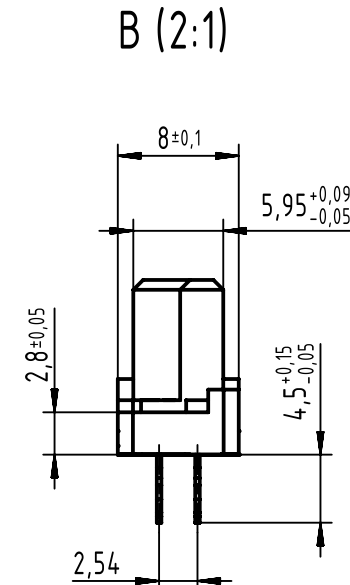
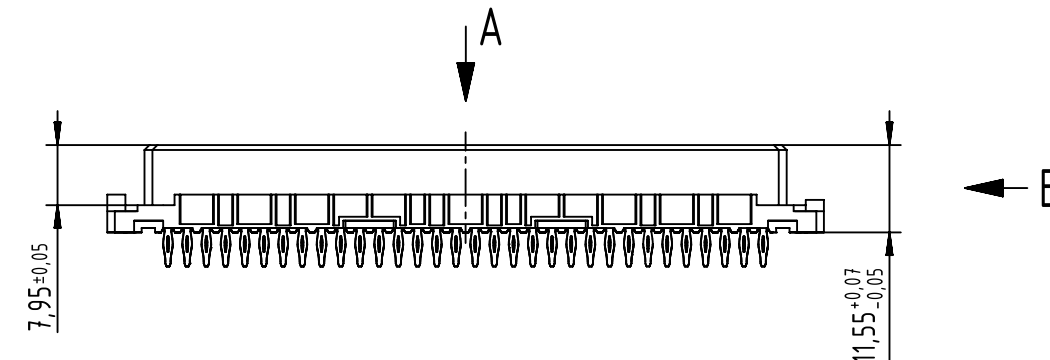


64 press-in contacts

☒ = position with contact

☐ = position without contact



only mateable with HARTING DIN NFF connector

1 recommended configuration of plated through holes and further information see: DS 09032120001

09 02 264 6850 222	2
part-no.	performance level 1

	All Dimensions in mm Original Size DIN A3		Scale 1:1	Free size tol. complementary IEC 60603-2		Ref. Sub.
	All rights reserved Department EL PD		Created by LEHNERT	Inspected by ELLERMANN	Standardisation HOFFMANN	Date 2017-11-14
HARTING Electronics GmbH D-32339 Espelkamp		Title DIN Signal type B female press-in 4.5 NFF			Doc-Key / ECM-Nr. 100179617/UGD/038/C 500000127692	
		Type TB	Number 0902264X850222		Rev. C	Page 1/1