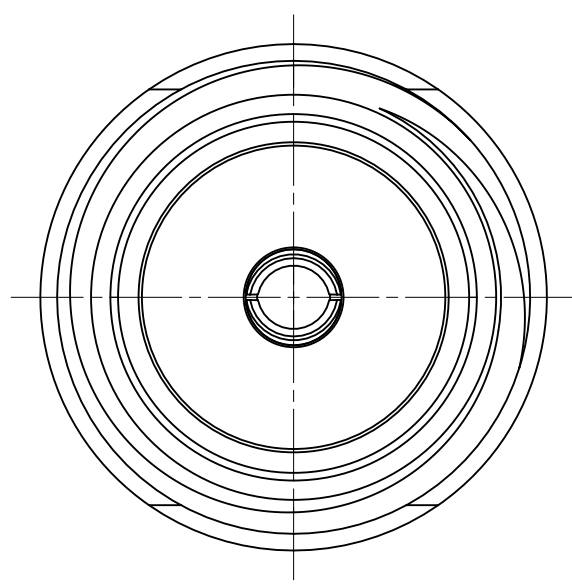
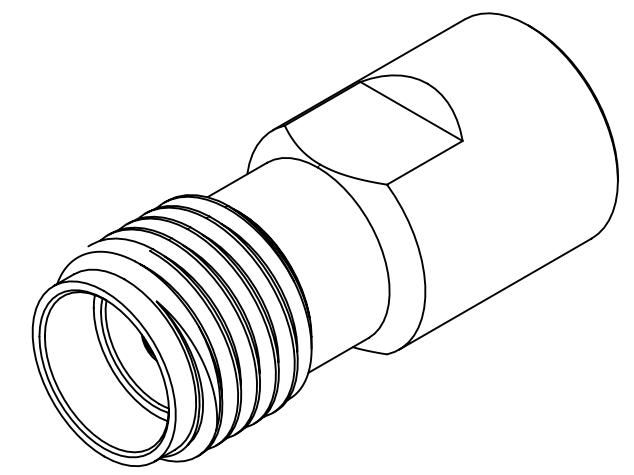


MATERIALS AND FINISHES:

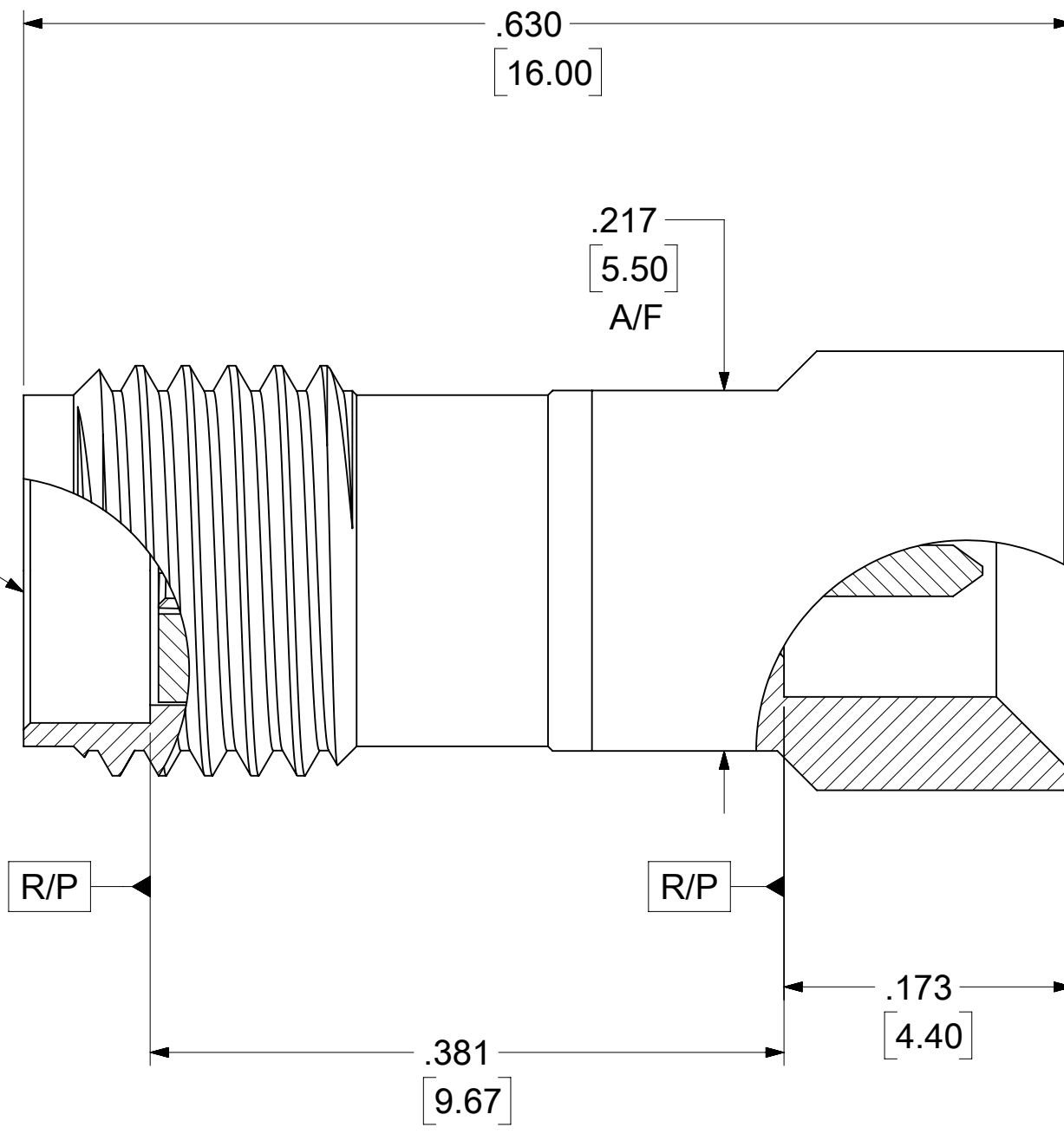
BODY: BRASS
PLATED GOLD

CENTER CONTACT: BERYLLIUM COPPER
PLATED GOLD

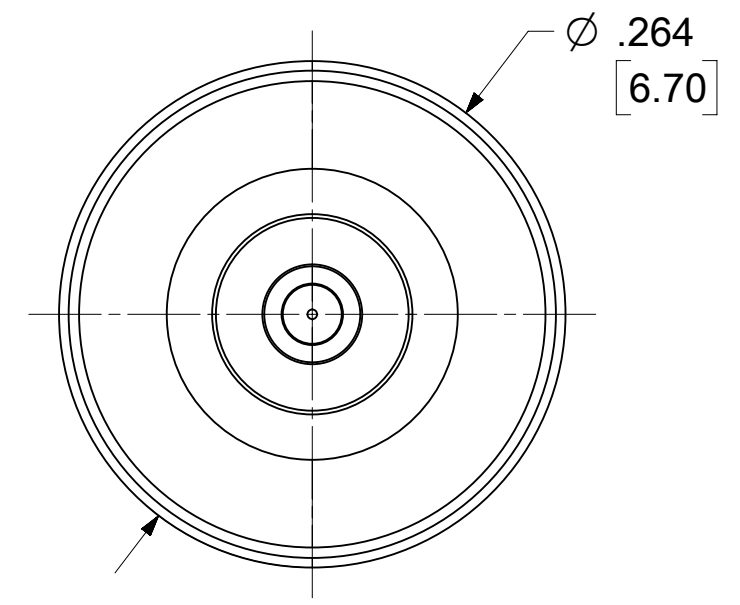
INSULATOR: TEFLON



SMA JACK



SMP-MAX
MALE
SLIDE-ON



73386-1570	TRAY	PK-89542-006
PART NO.	PACKAGING	PACKING SPEC

MIL-STD-348A, FIG. 310.2	SMA INTERFACE
SPECIFICATION	DESCRIPTION

FUNCTIONAL SYMBOLS $\nabla_A = 0$ $\nabla_C = 0$ $\nabla_P = 0$	THIS DRAWING CONTAINS INFORMATION THAT IS PROPRIETARY TO MOLEX ELECTRONIC TECHNOLOGIES, LLC AND SHOULD NOT BE USED WITHOUT WRITTEN PERMISSION	SCALE		CURRENT REV DESC: ADD PKG SPEC PER EWR15458-A					
	DIMENSION UNITS	IN/MM	NTS	GENERAL TOLERANCES (UNLESS SPECIFIED)					
	ANGULAR TOL	$\pm 2.0^\circ$		EC NO: 721925					
	PLACES	4 PLACES \pm		DRWN: CWEI02 2022/09/19					
DIVISIONAL SYMBOLS 3 PLACES \pm 2 PLACES \pm 1 PLACE \pm 0 PLACES \pm	DRAFT WHERE APPLICABLE MUST REMAIN WITHIN DIMENSIONS		THIRD ANGLE PROJECTION		DRAWING		SERIES		
	DRWN: AROBERTSON 2011/09/19		DRWN: YCHENG 2022/09/20		APPR: YCHENG 2022/09/20		INITIAL REVISION:		
	APPR: JWIENER 2011/09/19		APPR: YCHENG 2022/09/20		APPR: YCHENG 2022/09/20		DOCUMENT NUMBER		
	APPR: JWIENER 2011/09/19		APPR: YCHENG 2022/09/20		APPR: YCHENG 2022/09/20		SD-73386-157		
MATERIAL NUMBER		CUSTOMER		DOC TYPE		DOC PART		REVISION	
SEE TABLE		GENERAL MARKET		PSD		001		A2	
SHEET NUMBER		1 OF 1		C-SIZE		73386			

DOCUMENT STATUS	P1	RELEASE DATE	2022/09/20	16:04:23
-----------------	----	--------------	------------	----------