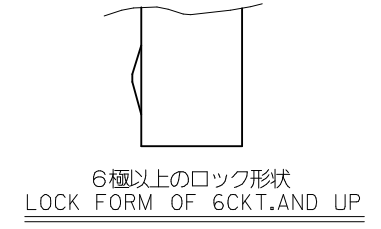
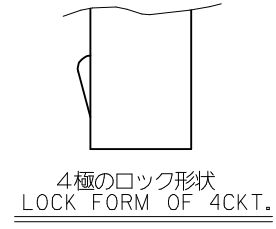
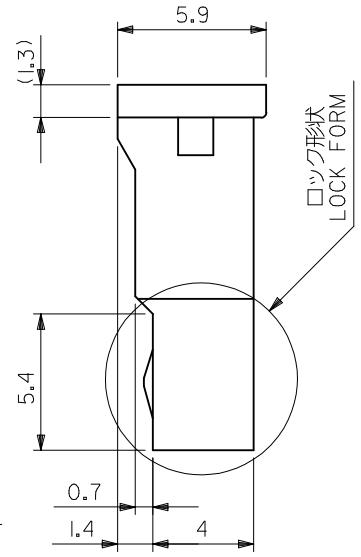
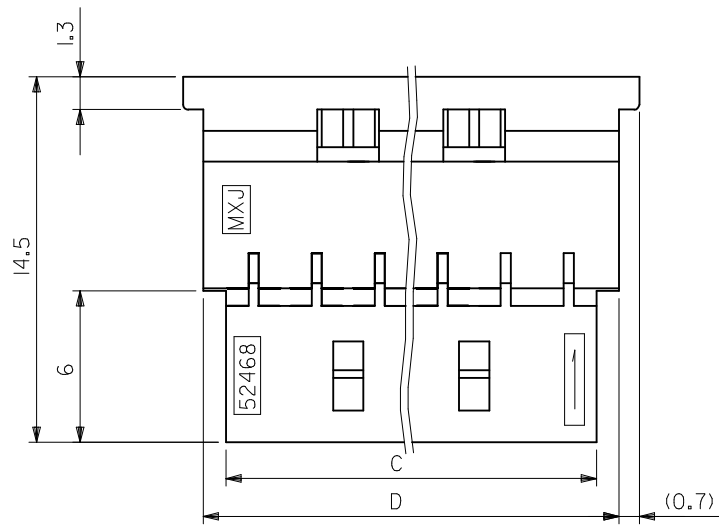
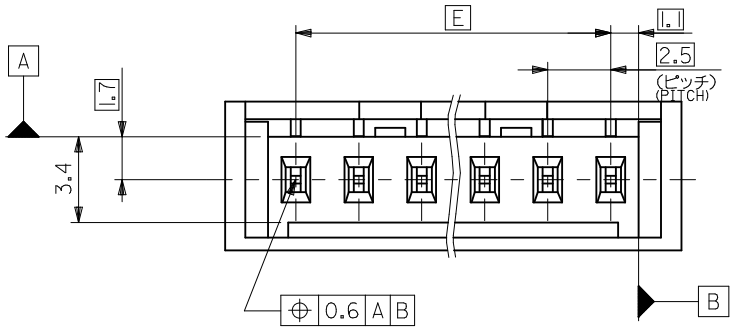


CABLE 推奨寸法
RECOMMENDED CABLE DIM.
(SCALE:2-1)



注記
NOTES

- 嵌合相手:53055-**,53241-**,53311-**,53312-**,53340-06 | *
MATE WITH :53055-**,53241-**,53311-**,53312-**,
53340-06 | *
- 適合アクチュエータ :51026-**0*
APPLICABLE ACTUATOR :51026-**0*
△ F ±0.1の幅はCより 43まで 維持すること。
DIM.F SHOULD BE KEPT TO 43 FROM C SURFACE
- 材料: ハウジング ポリエステル, UL94V-0
MATERIAL: HOUSING POLYESTER, UL94V-0
ターミナル りん青銅, 錫メッキ
TERMINAL PHOSPHOR, TIN PLATE



27.5	25	29.2	27.2	28.2	30.6	黒 BLACK	52468-1111	11
25	22.5	26.7	24.7	25.7	28.1	黒 BLACK	52468-1011	10
15	12.5	16.7	14.7	15.7	18.1	黒 BLACK	52468-0611	6
F	E	D	C	B	A	材料色 MATERIAL COLOR	製品番号 MATERIAL NO.	極数 No. OF CKT.

REVISED EC NO: DRWN:NAKAMURAA 2008/12/15 CHKD:T. HARUYAMA 2009/03/23 APPR:THARUYAMA 2009/03/24	GENERAL TOLERANCES (UNLESS SPECIFIED)		DIMENSION STYLE MM ONLY		SCALE 5:1	DESIGN UNITS METRIC	MODEL NO. 52468-**1*	
	10 UNDER	±0.2	DRAWN BY K. FURUYAMA	DATE '91/3/22	TITLE 2.5 CABLE TO BOARD CONN. HOUSING ASSY			
	10 OVER 30 UNDER	±0.25	CHECKED BY M. SANO	DATE '93/9/20	APPROVED BY M. ENOMOTO			
	30 OVER	±0.30	DATE '93/9/20		MOLEX INCORPORATED			
REV	DESCRIPTION	ANGULAR ±3 °	MATERIAL NO. SEE TABLE		DOCUMENT NO. SD-52468-001	SHEET NO. 1 OF 1		
		DRAFT WHERE APPLICABLE MUST REMAIN WITHIN DIMENSIONS		THIS DRAWING CONTAINS INFORMATION THAT IS PROPRIETARY TO MOLEX INCORPORATED AND SHOULD NOT BE USED WITHOUT WRITTEN PERMISSION				