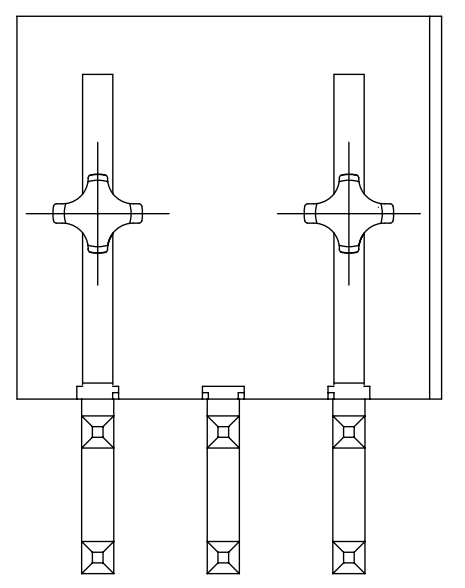
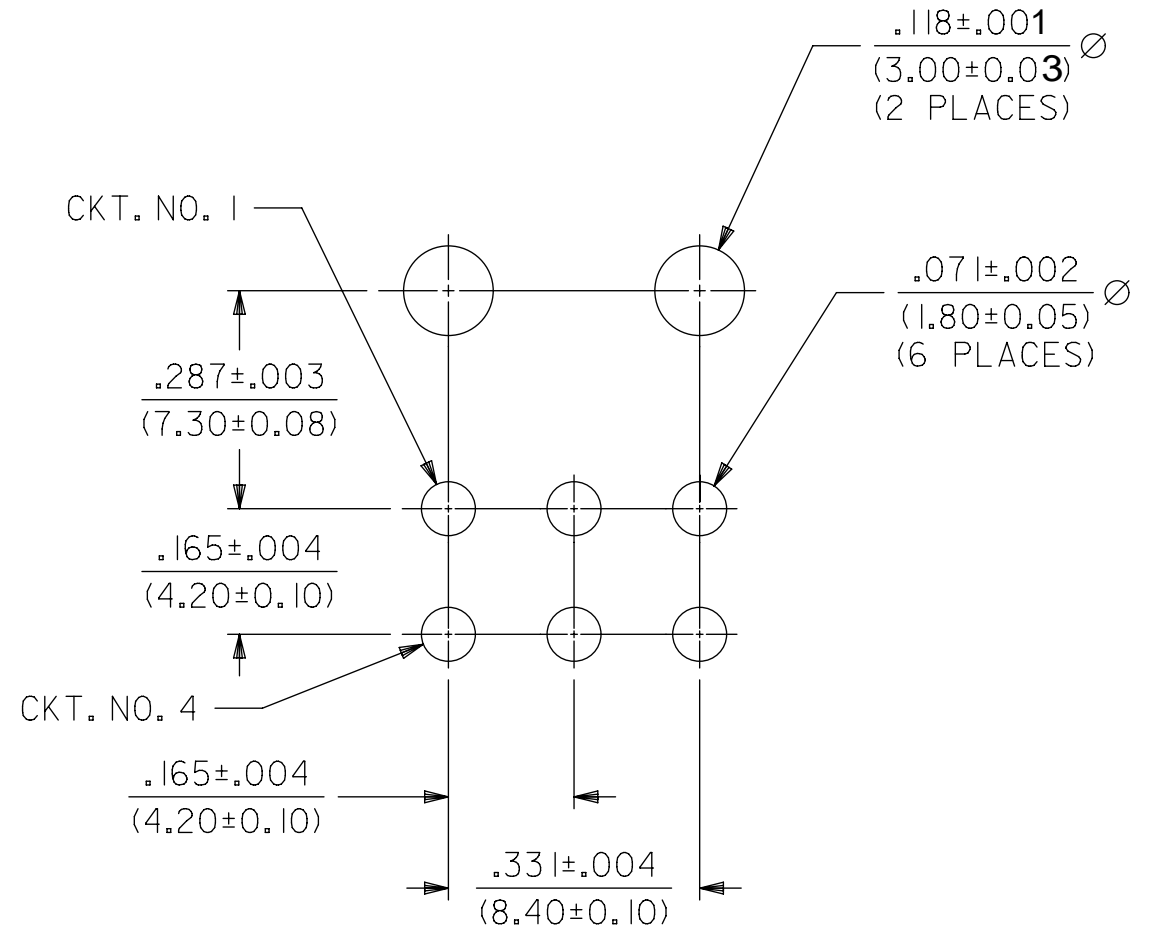
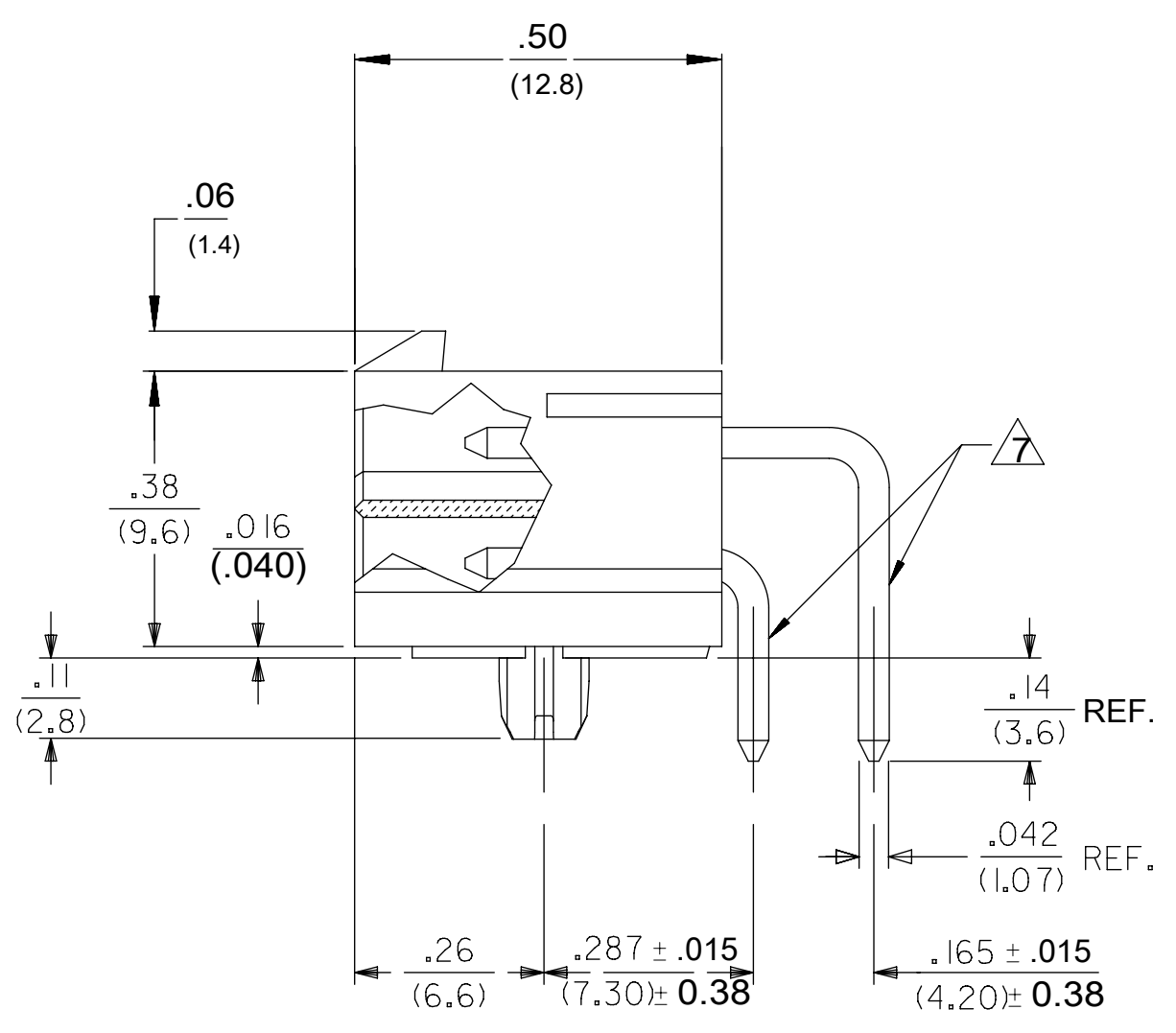
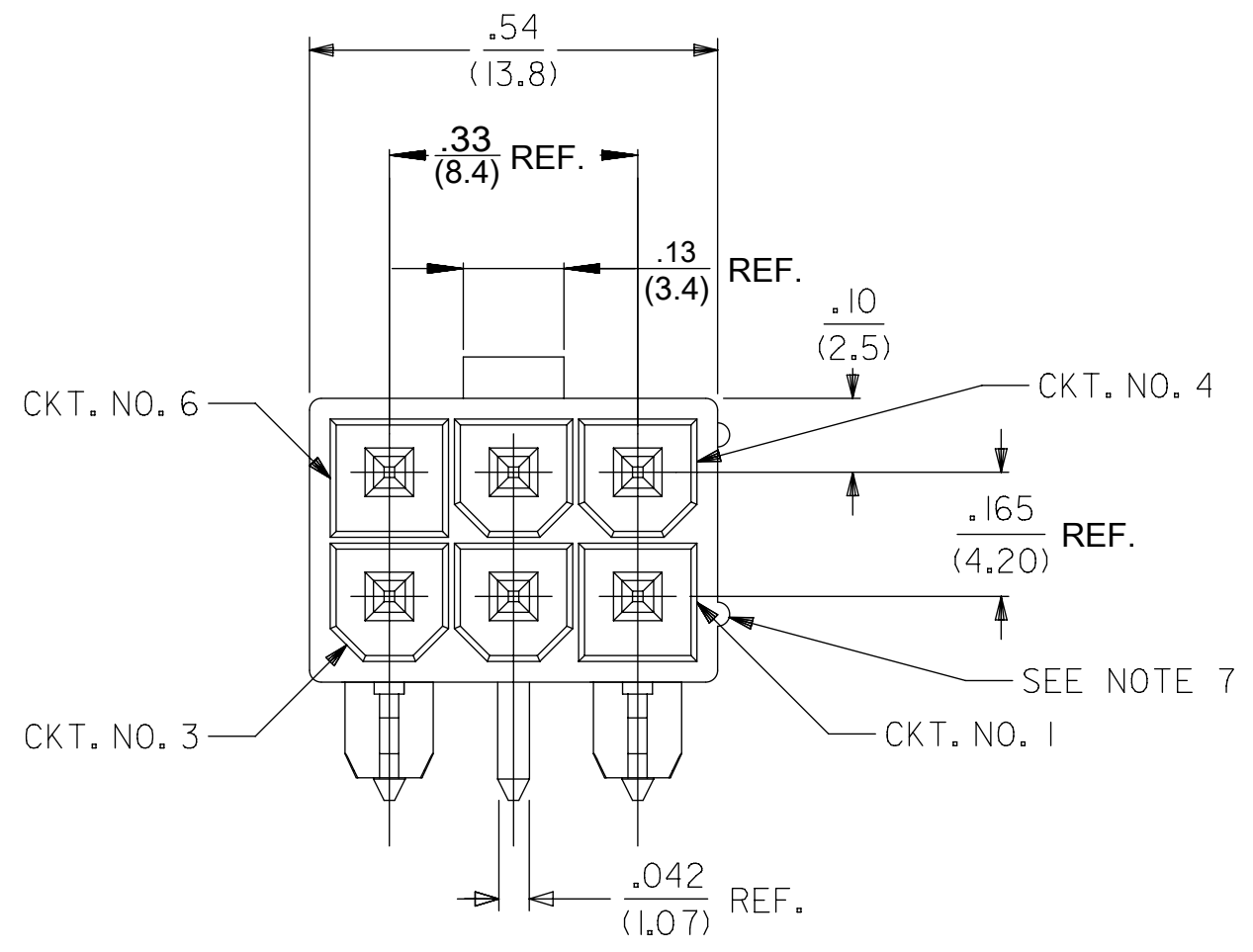


MATERIAL NO.	PACKAGING TYPE
457320001	BULK
457320003	TRAY

- NOTES:
- MATERIAL:
HOUSING: LCP, UL94 V-0, COLOR: BLACK
TERMINALS: BRASS
 - TERMINAL FINISH:
.000100/(.00254) MIN. MATTE TIN OVER
.000050/(.00127) MIN. NICKEL OVERALL.
 - PRODUCT SPECIFICATION: PS-45558-001
 - PACKAGING SPECIFICATION:
BULK PER PK-5569-002
TRAY PER PK-5569-003
 - PARTS MATE WITH MINI-FIT JR. RECEPTACLE 455590002.
 - FULL RIB INDICATES CIRCUIT NO. 1.
 - FORMING MARKS ON PINS ARE ACCEPTABLE
 - PARTS ARE NOT TO BE MATED OR UNMATED WHILE CIRCUITS ARE LIVE.
 - PEGS ARE DESIGNED FOR A PRESS FIT INTO THE P.C. BOARD.
 - PARTS ARE NOT DESIGNED FOR CURRENT SHARING.
 - DISCOLORATION IN THE BANDOLIER CARRIER AREA OF THE PIN IS INHERENT TO THE PLATING PROCESS AND IS DUE TO THE MASKING EFFECT OF THE CARRIER. THIS DISCOLORATION IS IN A NON-FUNCTIONAL AREA OF THE PIN AND WILL NOT AFFECT THE PERFORMANCE OF THE HEADER ASSEMBLY.
 - PART CONFORMS TO CLASS "B" REQUIREMENTS OF COSMETIC SPECIFICATION PS-45499-002.



RECOMMENDED HOLE LAYOUT FOR
.070/(1.78) MAX. THICK P.C. BOARD.
VIEWED FROM COMPONENT SIDE OF BOARD.

THIS DRAWING CONTAINS INFORMATION THAT IS PROPRIETARY TO MOLEX ELECTRONIC TECHNOLOGIES, LLC AND SHOULD NOT BE USED WITHOUT WRITTEN PERMISSION												
SYMBOLS		DIMENSION UNITS		SCALE		CURRENT REV DESC: ADD -0003 VOID -0002						
∇ = 0	IN/MM	4:1				molex 6 CKT. RT AN HDR ASSY. SPECIAL POLARIZATION MINI-FIT JR. SERIES PRODUCT CUSTOMER DRAWING DOCUMENT NUMBER: SD-45732-001 DOC TYPE: PSD DOC PART: 000 REVISION: B3 MATERIAL NUMBER: SEE TABLE CUSTOMER: GENERAL MARKET SHEET NUMBER: 1 OF 1						
∇ = 0	GENERAL TOLERANCES (UNLESS SPECIFIED)				EC NO: 622968					2019/08/23		
∇ = 0					DRWN: DSTEIER					2019/08/23		
∇ = 0					CHK'D: KSAMIEC					2019/08/23		
∇ = 0					APPR: JCOMERCI					2019/09/03		
∇ = 0					INITIAL REVISION:							
∇ = 0					DRWN: GEP		2005/03/12					
∇ = 0					APPR: FSMITH		2012/02/02					
∇ = 0					ANGULAR TOL ± 0.5 °							
∇ = 0	DRAFT WHERE APPLICABLE MUST REMAIN WITHIN DIMENSIONS		THIRD ANGLE PROJECTION		DRAWING SERIES		C-SIZE 45732					