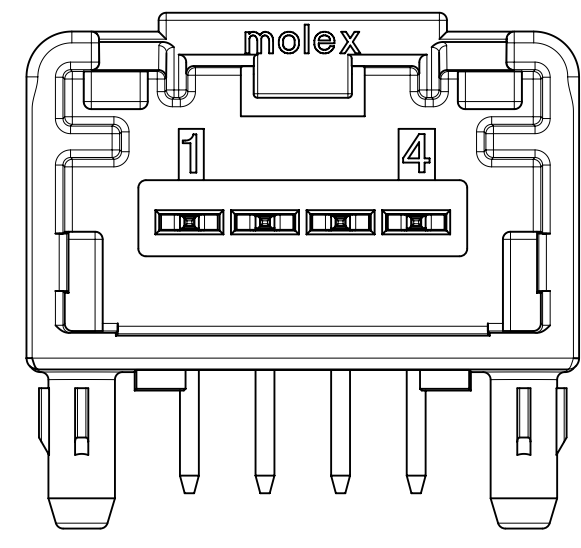
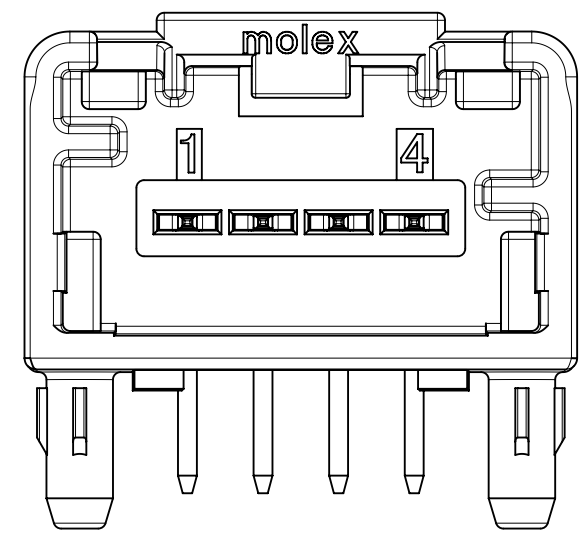


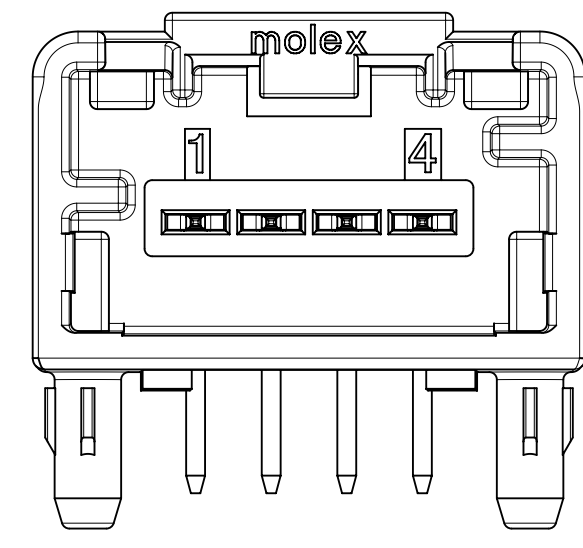
4 CIRCUIT RIGHT ANGLE HEADER  
POLARIZATION OPTION A



4 CIRCUIT RIGHT ANGLE HEADER  
POLARIZATION OPTION B



4 CIRCUIT RIGHT ANGLE HEADER  
POLARIZATION OPTION C



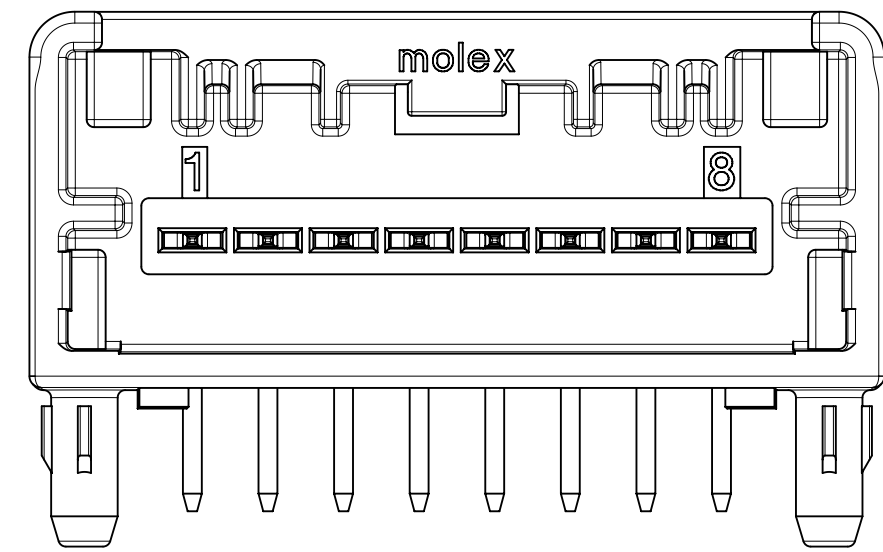
4 CIRCUIT RIGHT ANGLE HEADER  
POLARIZATION OPTION D

NOTES: VALID UNLESS OTHERWISE SPECIFIED

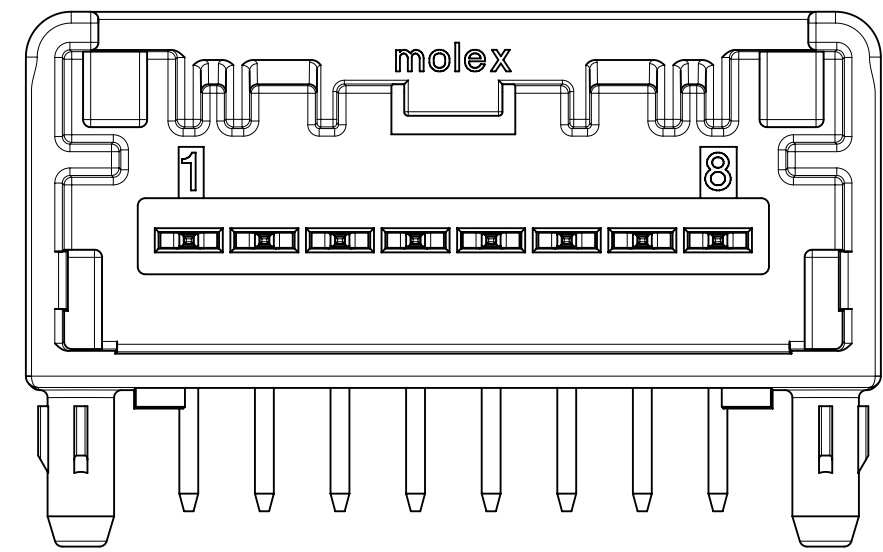
1. GENERAL:
  - a. APPLICATION SPECIFICATION SEE: AS-34791-020
  - b. PRODUCT SPECIFICATION SEE: PS-34791-020
  - c. PACKAGING SPECIFICATION PER MOLEX DRAWING: SEE CHART
  - d. SOLDERABILITY PER SMES-152
  - e. PARTS MUST BE IN COMPLIANCE TO MOLEX CHEMICAL SUBSTANCES FOR PRODUCTS AND PACKAGING SPECIFICATION: QEHS-699000-300
  - f. DATA MUST BE SUBMITTED UNDER THE MOLEX PART NUMBER TO IMDS (COMPANY ID#13255)
  - g. FLAMMABILITY REQUIREMENT: PER ISO3795 OR GM3191
  - h. VISUAL DEFECTS SHALL MEET COSMETIC STANDARD PS-45499-002 (Class B)

2. DESIGN - MATERIALS:
  - a. SHROUD (PLASTIC HOUSING): SPS 30% GF, 20% REGRIND MAX PER WEIGHT
  - b. BLADES:
    - BASE METAL: C260 BRASS
    - PLATING REQUIREMENTS:
      - TIN OVER NICKEL:
      - UNDERPLATING:
      - OVERALL NICKEL
      - OVERPLATING:
      - OVERALL TIN

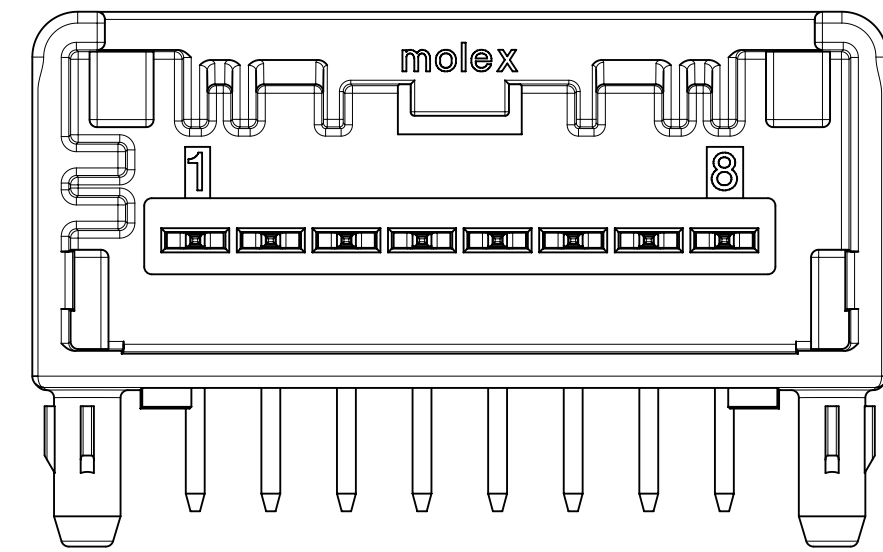
3. DESIGN - GEOMETRY:
  - a. THIS IS A 100% CAD GENERATED PART. THE CAD MATHEMATICAL DATA IS THE MASTER FOR THIS PART. FOR DIMENSIONAL OR ANY INFORMATION NOT SHOWN ON THIS DRAWING, ANALYZE THE CAD MODEL.
  - b. GEOMETRIC DIMENSIONS AND TOLERANCES PER ASME Y14.5M - 2009
  - c. GENERAL TOLERANCES:
    - LINEAR: SEE TITLE BLOCK
    - ANGULAR: ±3°
  - d. EDGES AND UNDIMENSIONED DETAILS PER ISO13715
  - e. CORNERS SHOWN AS SHARP TO BE R 0.1 MAX
  - f. LETTERING SHALL BE 0.10 MAX RAISED. THIS INCLUDES RECYCLING CODE, PLANT AND CAVITY ID, VENDOR ID, AND CIRCUIT ID.



8 CIRCUIT RIGHT ANGLE HEADER  
POLARIZATION OPTION A



8 CIRCUIT RIGHT ANGLE HEADER  
POLARIZATION OPTION B



8 CIRCUIT RIGHT ANGLE HEADER  
POLARIZATION OPTION C

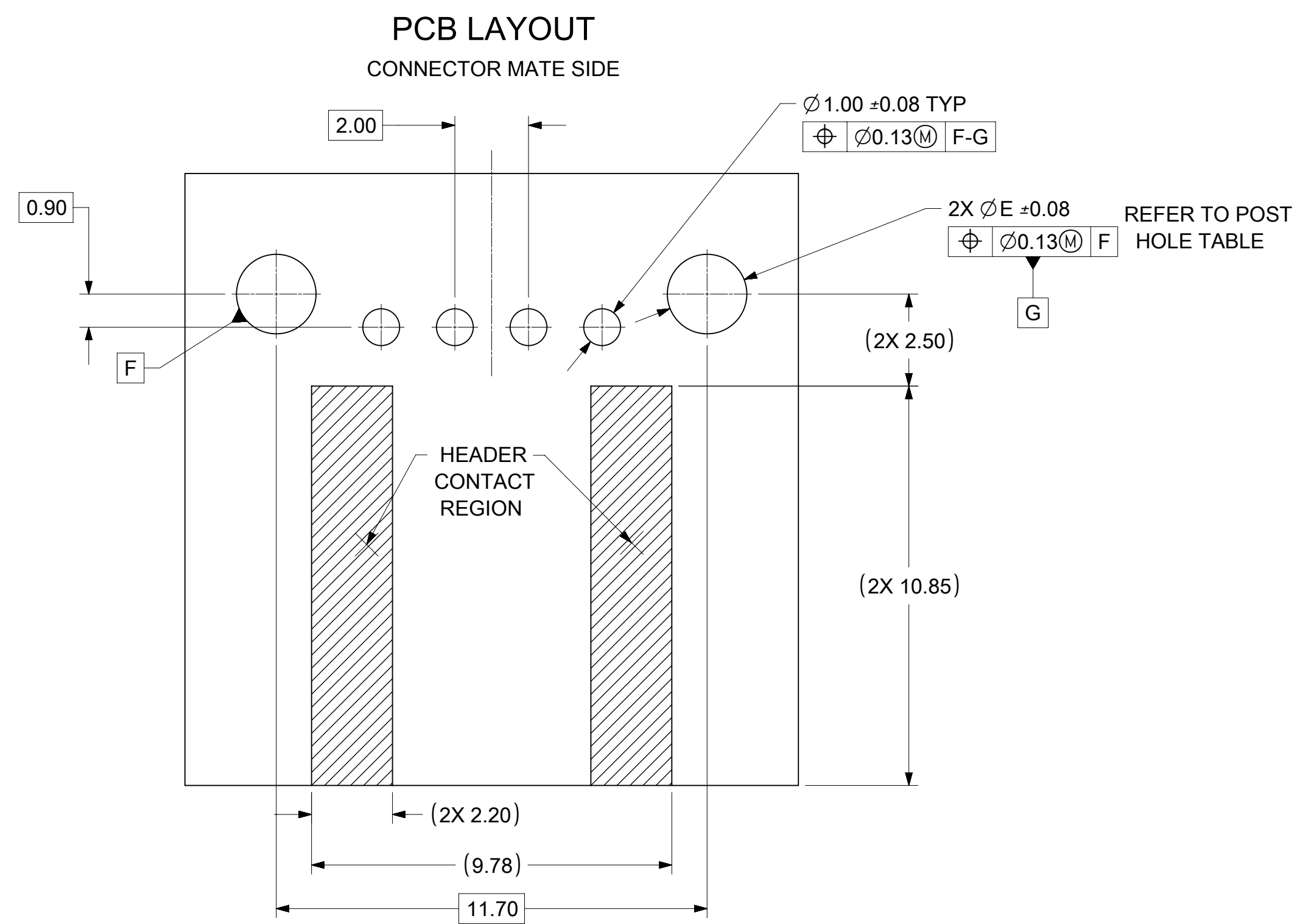
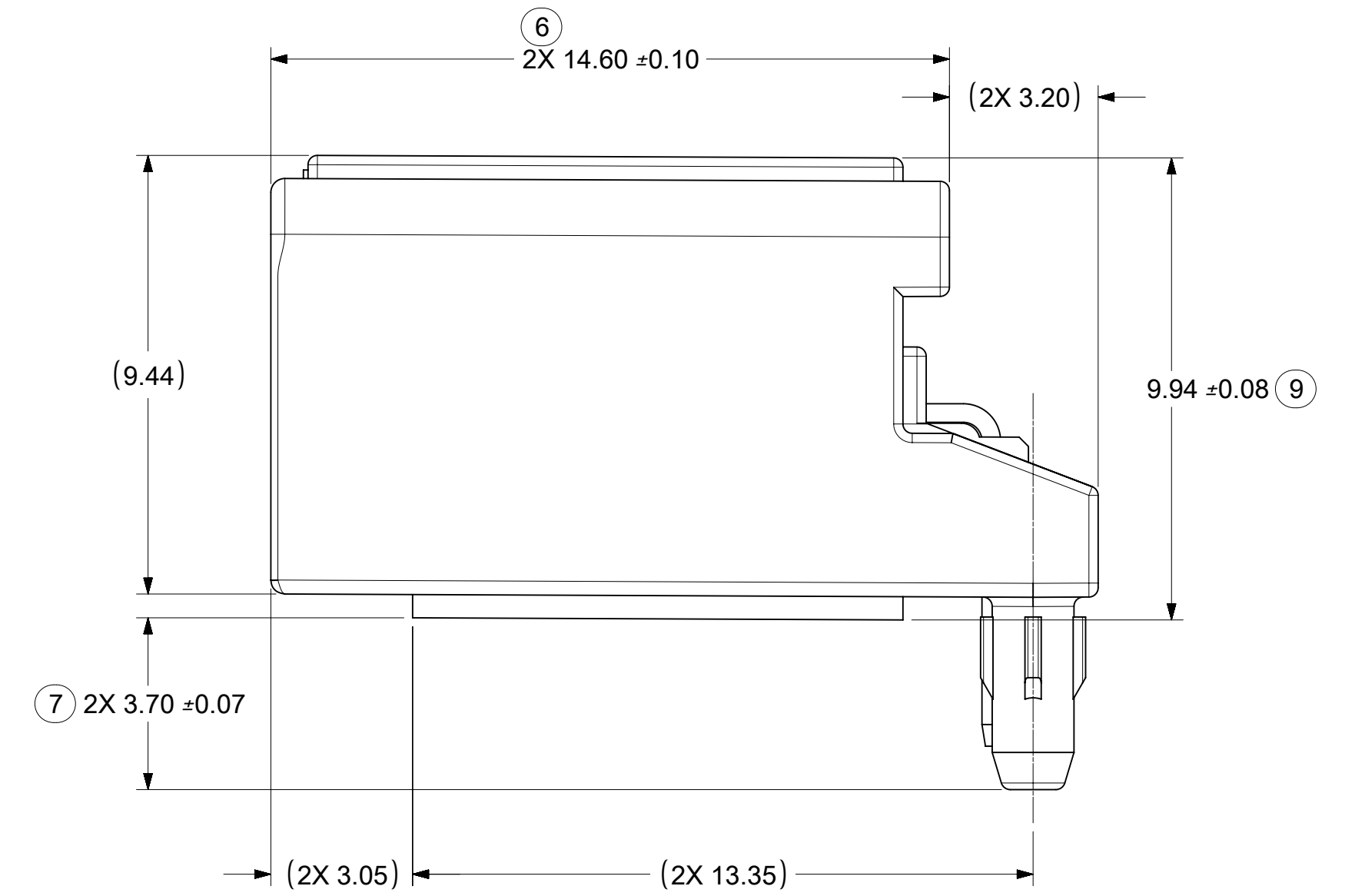
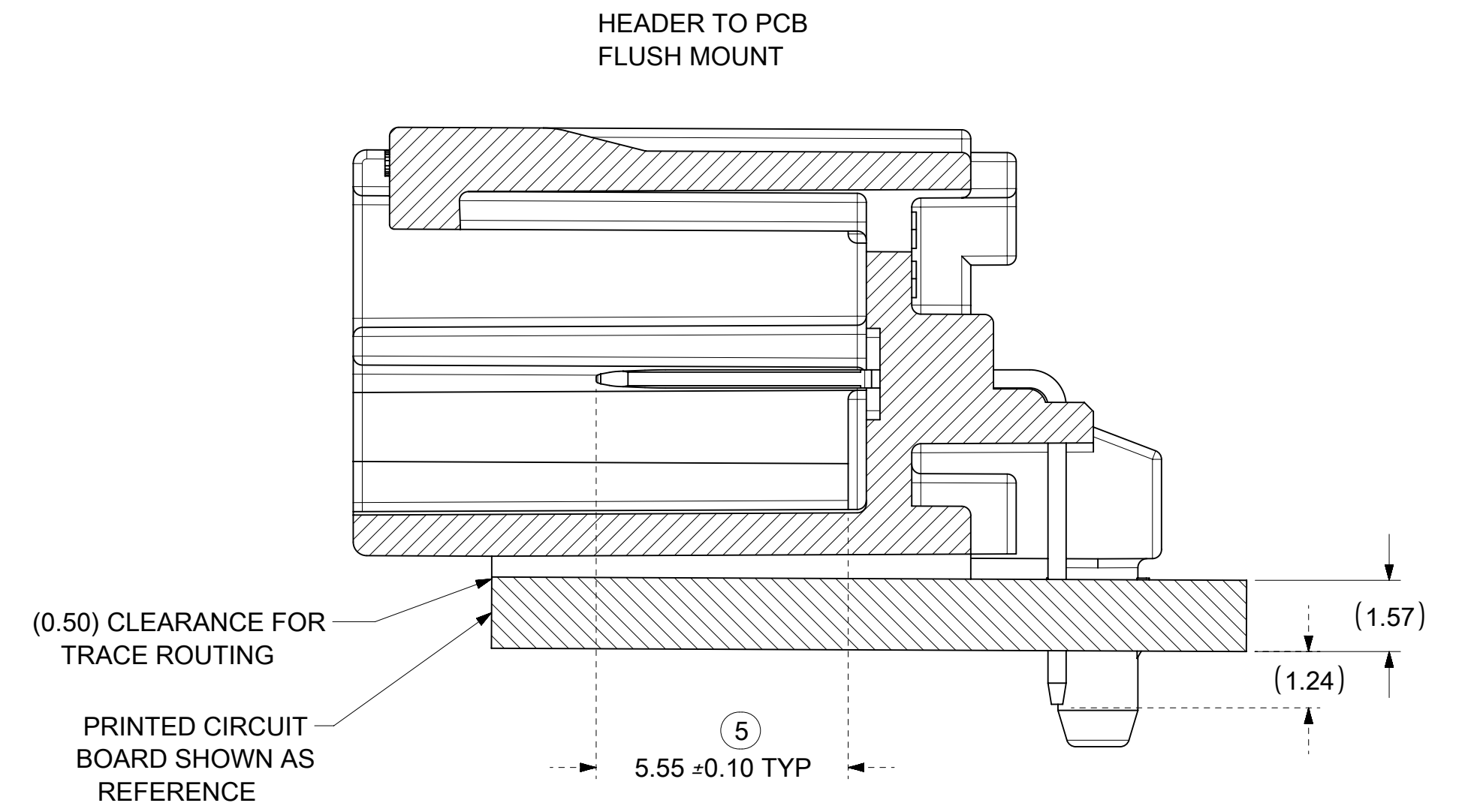
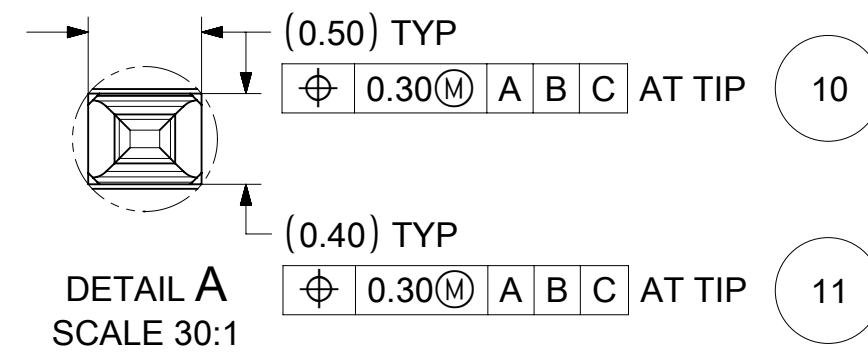
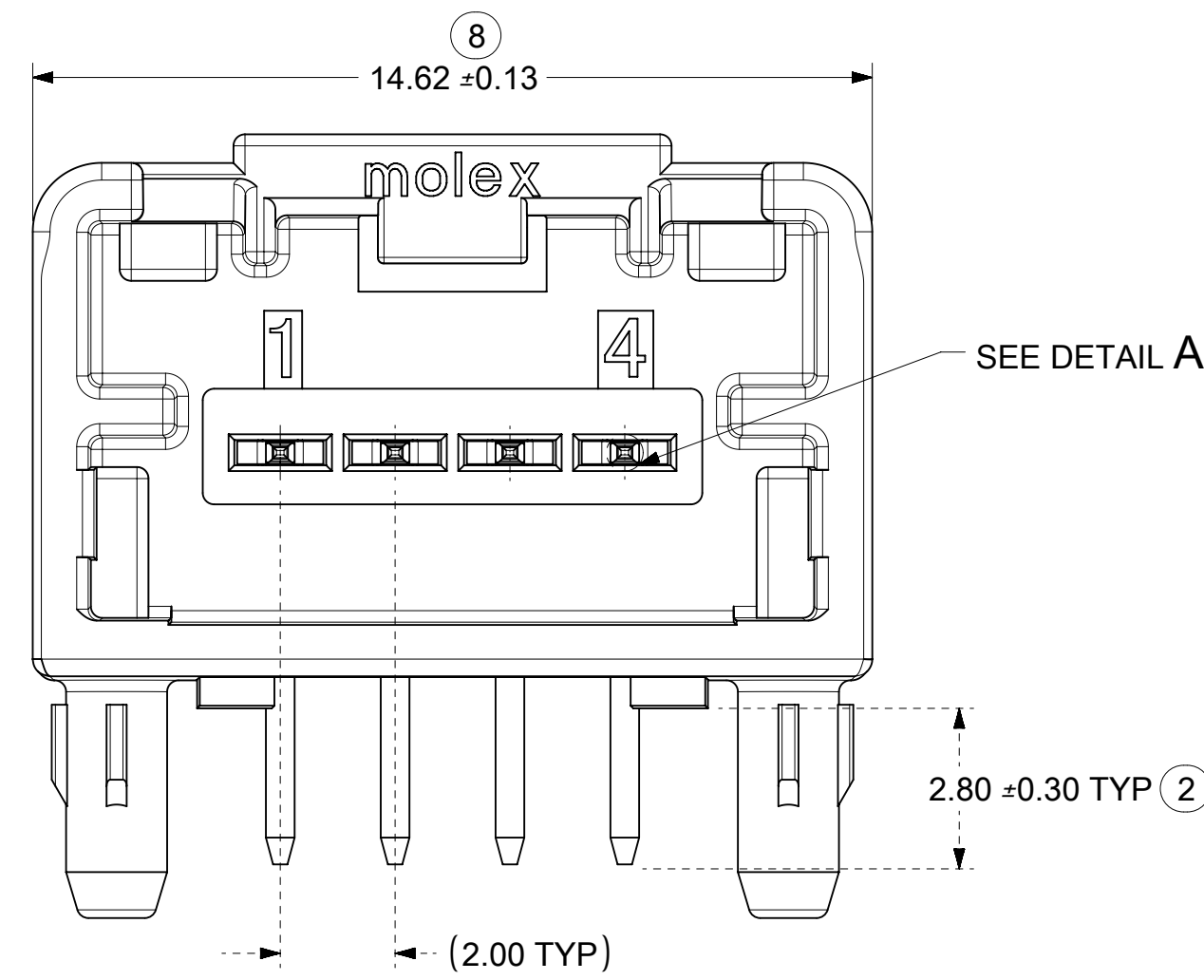
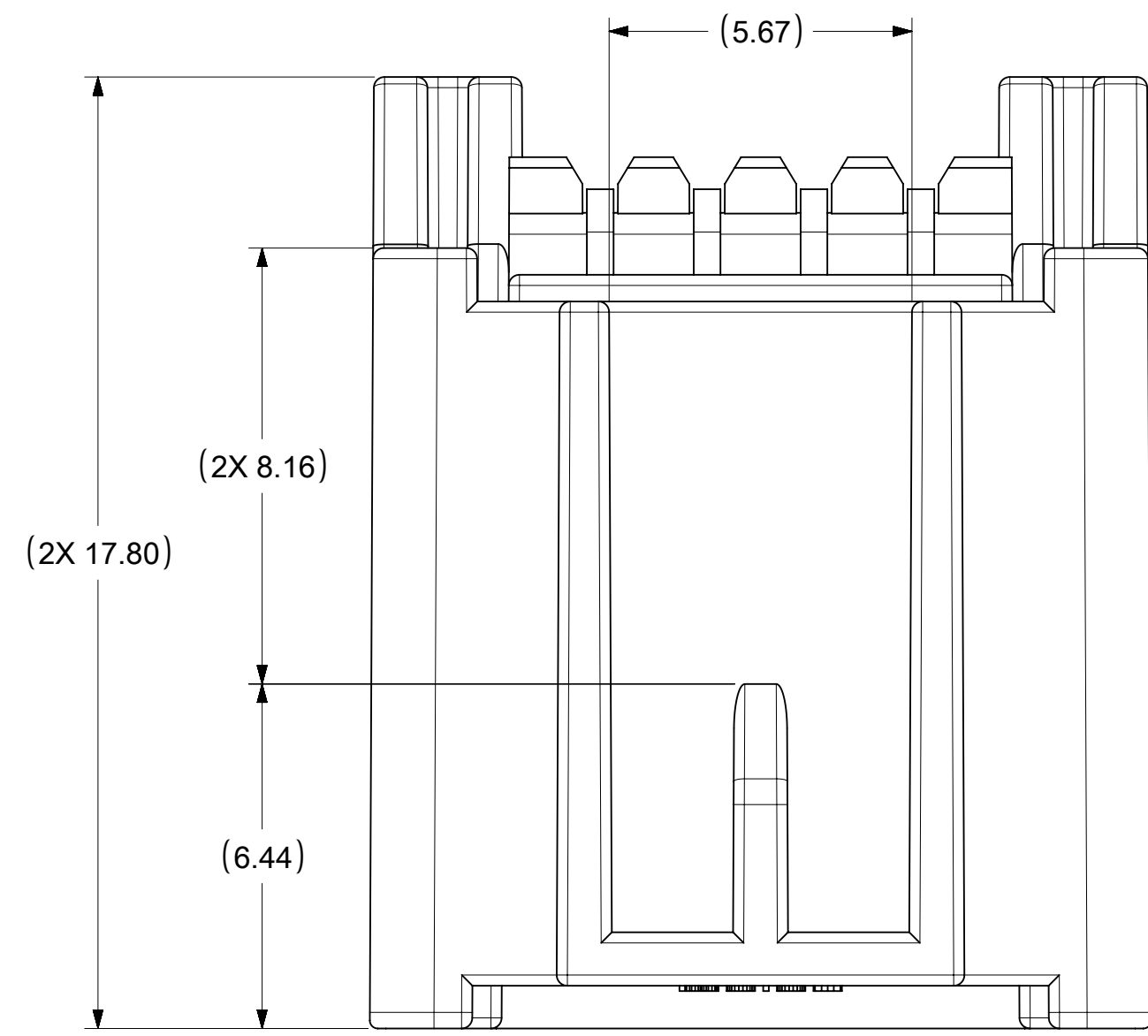
### MINI50 RIGHT ANGLE HEADER ASSEMBLIES

| MATERIAL NUMBER                          |                                |                                | CONFIGURATION | CIRCUIT | POL | COLOR     | BLADE PLATING   | MATING COMPONENT |            |
|--|--------------------------------|--------------------------------|---------------|---------|-----|-----------|-----------------|------------------|------------|
| TAPE AND REEL PACKAGING<br>PK-47799-0001 | TUBE PACKAGING<br>PK-31301-688 | TRAY PACKAGING<br>PK-31301-440 |               |         |     |           |                 | UN-BRIDGED       | BRIDGED    |
| 34793-8040                               | 34793-9040                     | 34793-0040                     | USCAR         | 4       | A   | BLACK     | TIN OVER NICKEL | 34791-0040       | 34791-0140 |
| 34793-8041                               | 34793-9041                     | 34793-0041                     | USCAR         | 4       | B   | GRAY      | TIN OVER NICKEL | 34791-0041       | 34791-0141 |
| 34793-8042                               | 34793-9042                     | 34793-0042                     | USCAR         | 4       | C   | DARK GRAY | TIN OVER NICKEL | 34791-0042       | 34791-0142 |
| 34793-8043                               | 34793-9043                     | 34793-0043                     | USCAR         | 4       | D   | GREEN     | TIN OVER NICKEL | 34791-0043       | 34791-0143 |
| 34793-8080                               | 34793-9080                     | 34793-0080                     | USCAR         | 8       | A   | BLACK     | TIN OVER NICKEL | 34791-0080       | 34791-0180 |
| 34793-8081                               | 34793-9081                     | 34793-0081                     | USCAR         | 8       | B   | GRAY      | TIN OVER NICKEL | 34791-0081       | 34791-0181 |
| 34793-8082                               | 34793-9082                     | 34793-0082                     | USCAR         | 8       | C   | DARK GRAY | TIN OVER NICKEL | 34791-0082       | 34791-0182 |

| INSPECTION BALLOON NUMBER LOG |                         |
|-------------------------------|-------------------------|
| PER DRAWING REVISION: F2      |                         |
| LAST BALLOON USED: 11         |                         |
| ADDED BALLOON NUMBERS:        |                         |
| F2                            | PIN TP ADDED ON SHEET 2 |
| F1                            | NX REMASTERING          |
| REV                           | DESCRIPTION             |
| REMOVED BALLOON NUMBERS: 1    |                         |

|  |   |   |   |   |   |
|--|---|---|---|---|---|
| QUALITY SYMBOLS<br>F = 0<br>E = 0<br>D = 0<br>C = 0<br>B = 0<br>A = 0<br>Z = 0<br>Y = 0<br>X = 0<br>W = 0<br>V = 0 | THIS DRAWING CONTAINS INFORMATION THAT IS PROPRIETARY TO MOLEX ELECTRONIC TECHNOLOGIES, LLC AND SHOULD NOT BE USED WITHOUT WRITTEN PERMISSION |   | GENERAL TOLERANCES (UNLESS SPECIFIED)<br>DIMENSION UNITS: MM ONLY<br>SCALE: 5:1<br>DRWN BY: JDUNAJ<br>DATE: 2010/06/21<br>CHKD BY: BDICK<br>DATE: 2010/06/21<br>APPR BY: SMARCEAU<br>DATE: 2011/11/21 |   | <p>MINI 50 SINGLE ROW<br/>R/A HEADER ASSEMBLY SALES DRAWING</p> <p>PRODUCT CUSTOMER DRAWING</p> |
|  | EC NO: 614746<br>DRWN: SRUSS<br>CHKD: JDUNAJ<br>REV APPR: JDUNAJ  | DRAFT WHERE APPLICABLE<br>MUST REMAIN<br>WITHIN DIMENSIONS                              | DRAWING SIZE: D<br>THIRD ANGLE PROJECTION   | SERIES: 34793<br>MATERIAL NUMBER: SEE TABLE<br>CUSTOMER: GENERAL MARKET |   |
|  | F3  | DOCUMENT NUMBER: SD-34793-001<br>DOC TYPE: PSD<br>DOC PART: 001<br>SHEET NUMBER: 1 OF 3 |   |   |   |
|  |   |   |   |   |   |

# 4 CKT RIGHT ANGLE HEADER

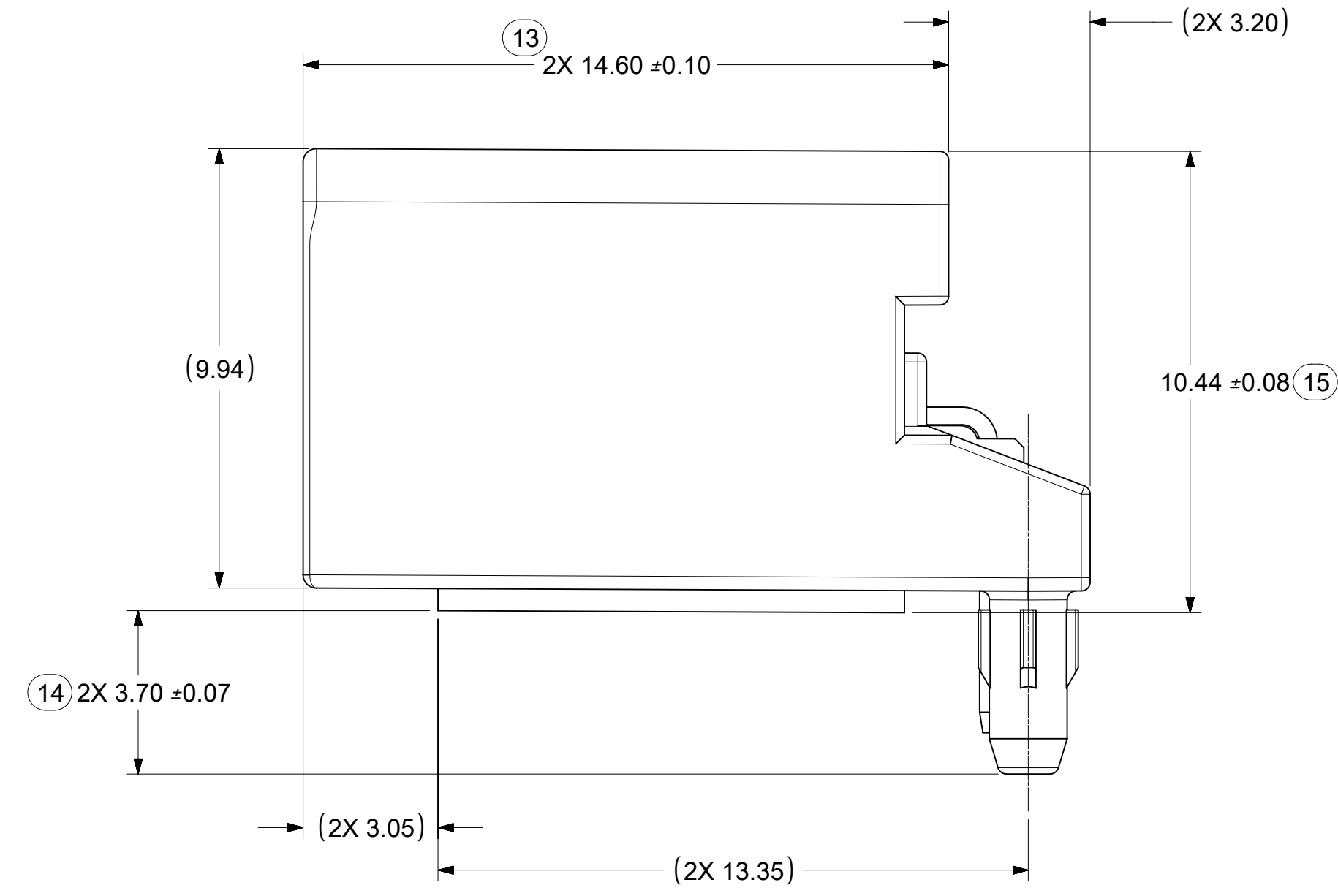
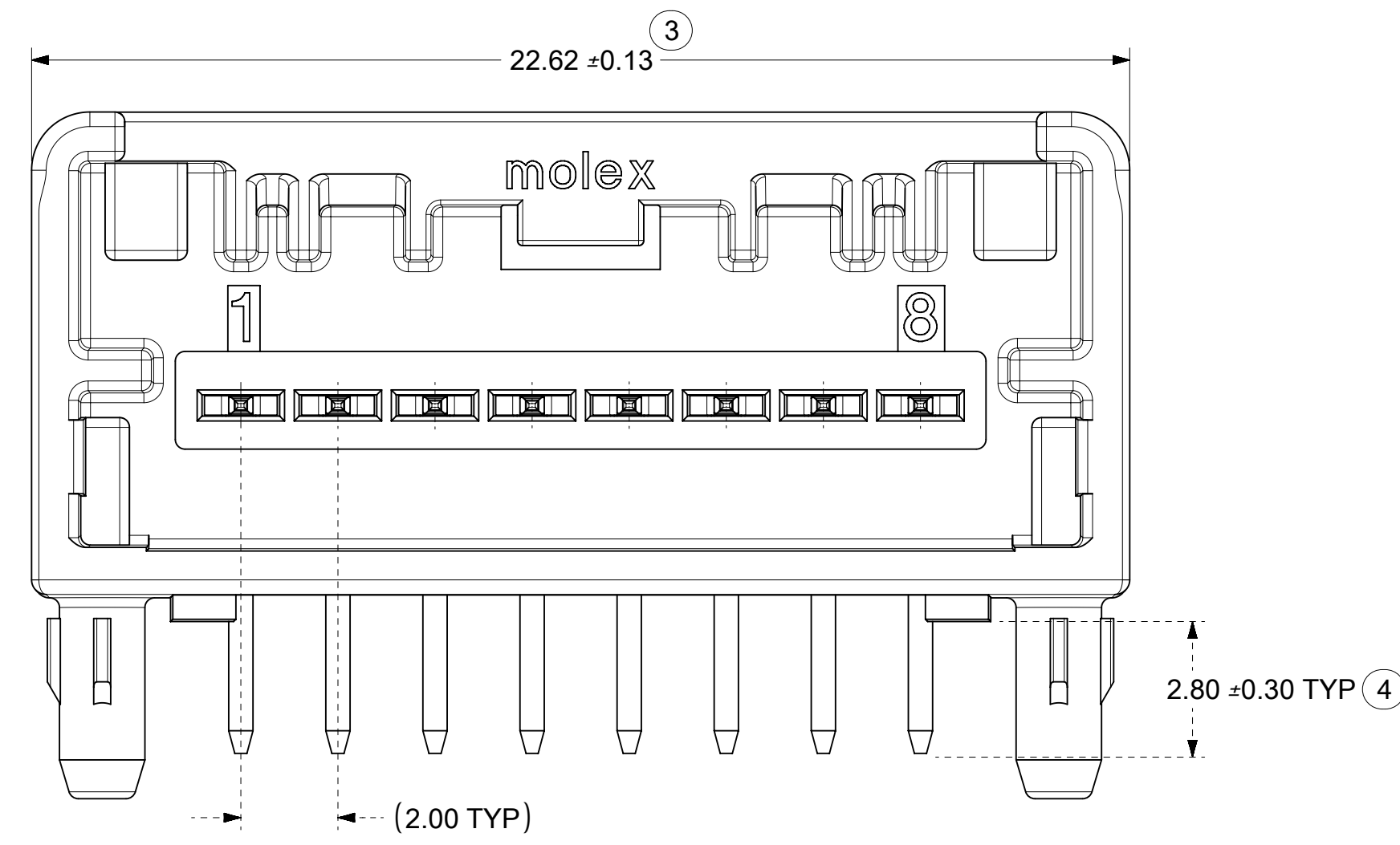
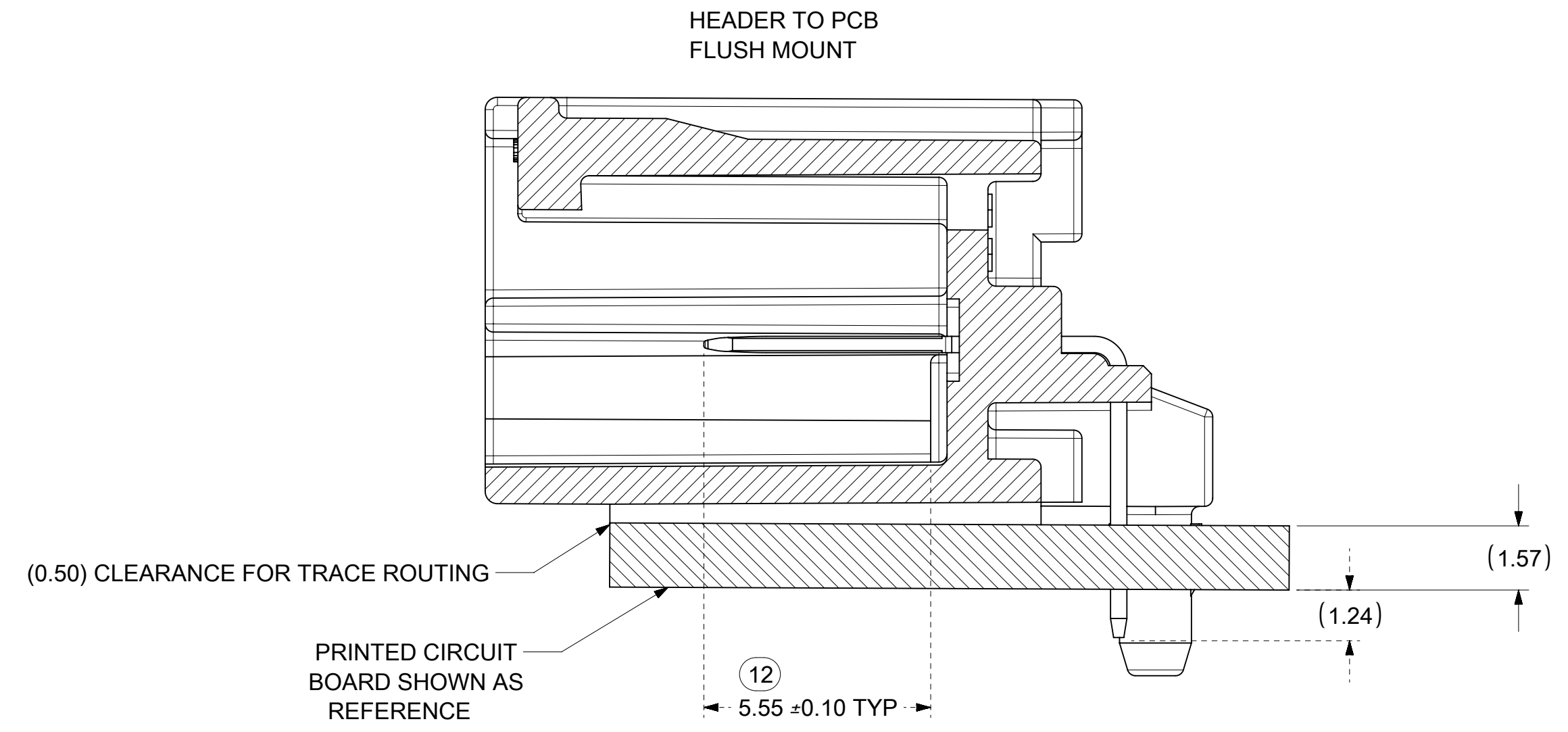
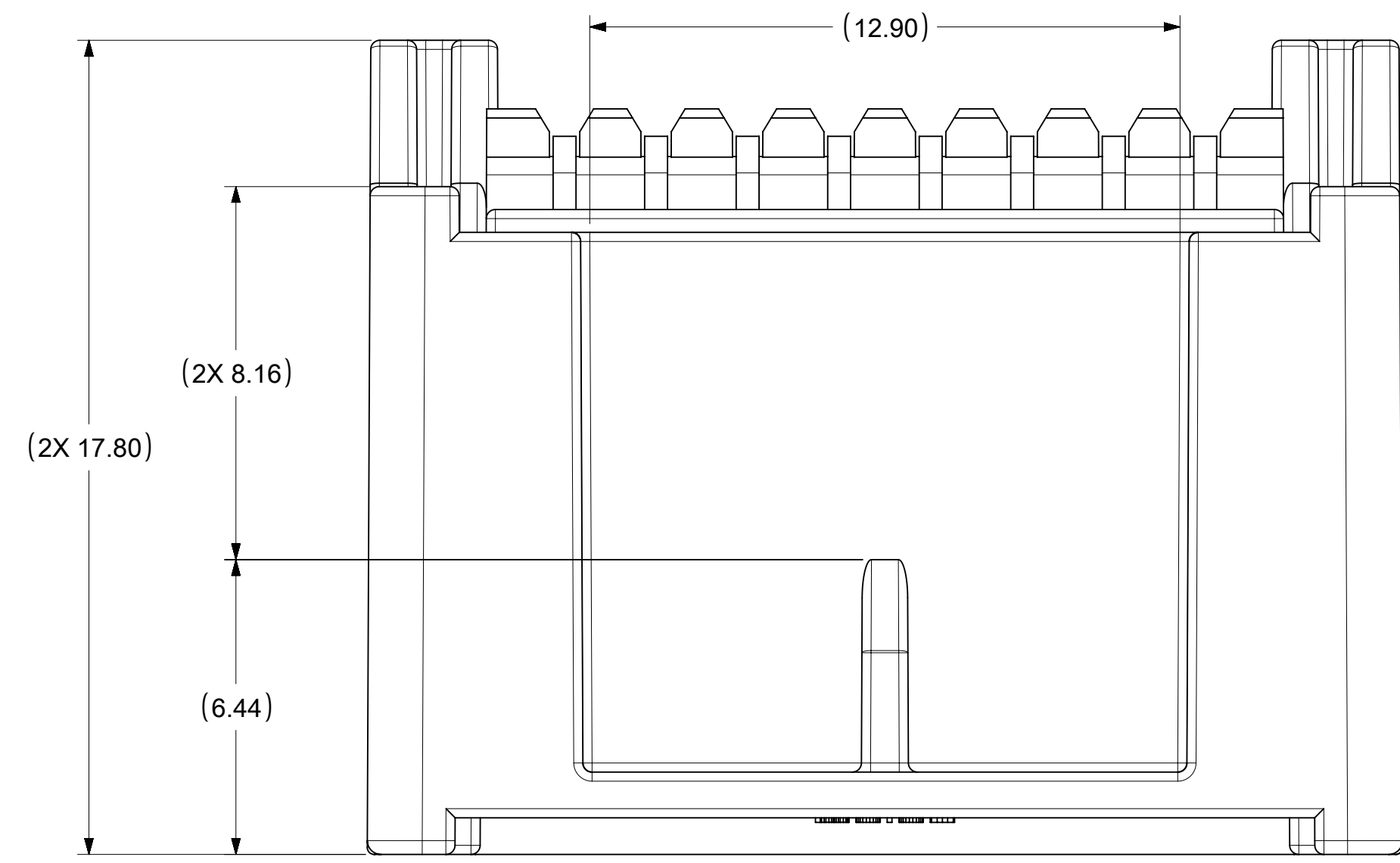


POST HOLE TABLE

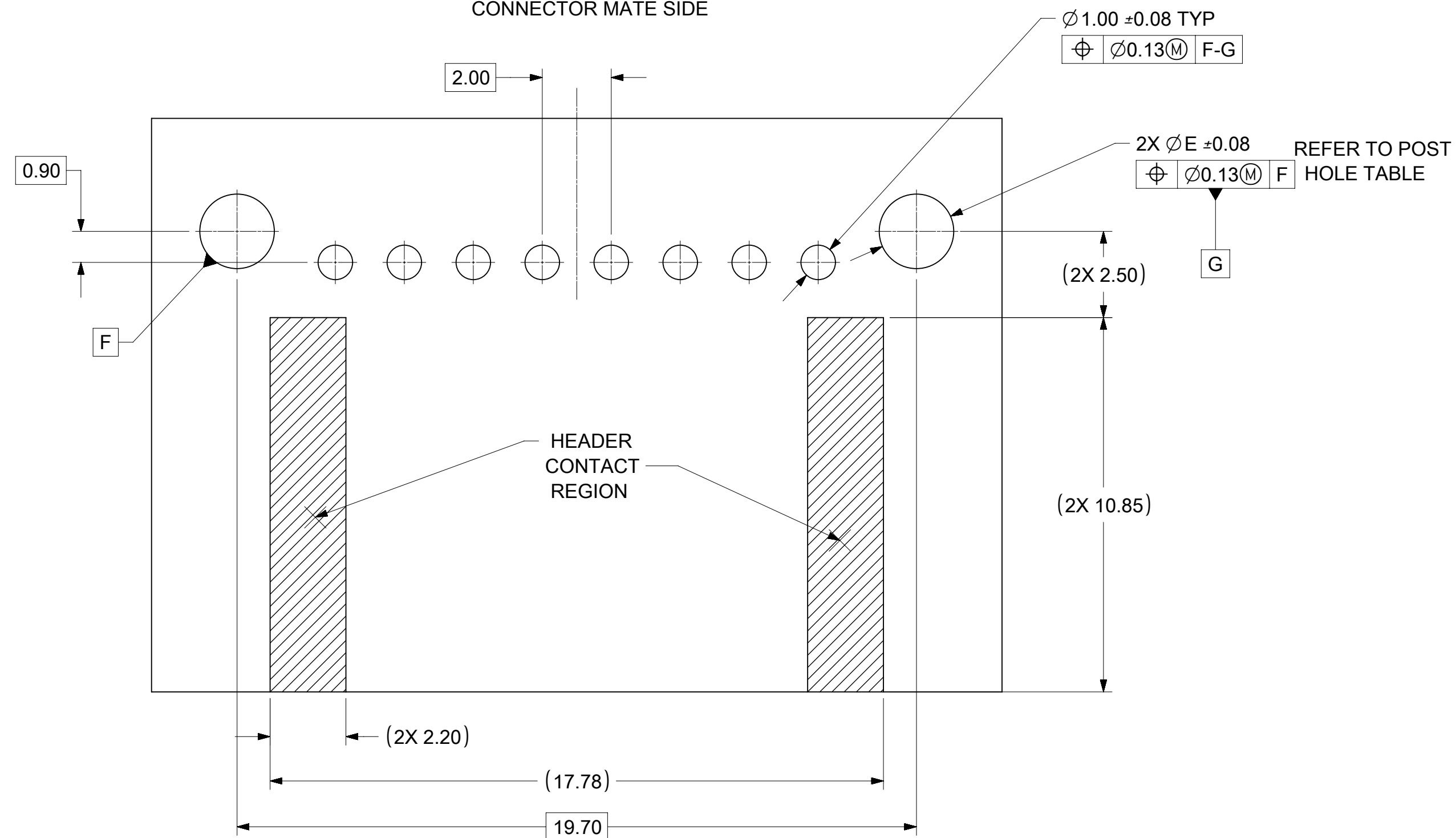
|           | DIM 'E' |
|-----------|---------|
| PRESS FIT | 2.15    |
| DROP IN   | 2.55    |

|  |  |   |  |   |  |   |  |  |  |  |  |
|--|--|---|--|---|--|---|--|--|--|--|--|
| QUALITY SYMBOLS<br>F = 0<br>F = 0<br>F = 0<br>= 0<br>= 0<br>= 0<br>= 0<br>= 0<br>= 0 |  |   |  | THIS DRAWING CONTAINS INFORMATION THAT IS PROPRIETARY TO MOLEX ELECTRONIC TECHNOLOGIES, LLC AND SHOULD NOT BE USED WITHOUT WRITTEN PERMISSION |  |   |  | DIMENSION UNITS: MM ONLY<br>SCALE: 8:1 |  |  |  |
| EC NO: 614746<br>DRWN: SRUSS<br>CHKD: JDUNAJ<br>REV APPR: JDUNAJ                     |  | GENERAL TOLERANCES (UNLESS SPECIFIED)<br>ANGULAR TOL ± °<br>4 PLACES ±<br>3 PLACES ±<br>2 PLACES ± 0.1<br>1 PLACE ± 0.2<br>0 PLACES ±<br>DRAFT WHERE APPLICABLE MUST REMAIN WITHIN DIMENSIONS |  | DRWN BY: JDUNAJ<br>DATE: 2010/06/21   |  | CHKD BY: BDICK<br>DATE: 2010/06/21                      |  | APPR BY: SMARCEAU<br>DATE: 2011/11/21  |  |  |  |
| F3   |  | DRAFT WHERE APPLICABLE MUST REMAIN WITHIN DIMENSIONS  |  | D D   |  | THIRD ANGLE PROJECTION                                  |  | PRODUCT CUSTOMER DRAWING               |  |  |  |
| RELEASE STATUS: P1<br>RELEASE DATE: 2019/03/29 20:37:36                              |  | SERIES: 34793<br>MATERIAL NUMBER: SEE TABLE<br>CUSTOMER: GENERAL MARKET   |  | DOCUMENT NUMBER: SD-34793-001<br>DOC TYPE: PSD<br>DOC PART: 001<br>SHEET NUMBER: 2 OF 3   |  | MINI 50 SINGLE ROW<br>R/A HEADER ASSEMBLY SALES DRAWING |  | PRODUCT CUSTOMER DRAWING               |  |  |  |

# 8 CKT RIGHT ANGLE HEADER



## PCB LAYOUT CONNECTOR MATE SIDE



### POST HOLE TABLE

|           | DIM 'E' |
|-----------|---------|
| PRESS FIT | 2.15    |
| DROP IN   | 2.55    |

|  |   |  |   |                           |                                   |                              |                            |  |  |
|--|---|--|---|---------------------------|-----------------------------------|------------------------------|----------------------------|--|--|
| <b>QUALITY SYMBOLS</b><br>F = 0<br>F = 0<br>F = 0<br>▽ = 0<br>▽ = 0<br>⊠ = 0<br>■ = 0<br>▽ = 0 | THIS DRAWING CONTAINS INFORMATION THAT IS PROPRIETARY TO MOLEX ELECTRONIC TECHNOLOGIES, LLC AND SHOULD NOT BE USED WITHOUT WRITTEN PERMISSION |  |   |                           | DIMENSION UNITS<br><b>MM ONLY</b> | SCALE<br><b>8:1</b>          |                            |  |  |
|  | EC NO: 614746<br>DRWN: SRUSS<br>CHKD: JDUNAJ<br>REV APPR: JDUNAJ  | 2019/03/27<br>2019/03/29<br>2019/03/29 | GENERAL TOLERANCES (UNLESS SPECIFIED)<br>ANGULAR TOL ± °<br>4 PLACES ±<br>3 PLACES ±<br>2 PLACES ± 0.1<br>1 PLACE ± 0.2<br>0 PLACES ± | DATE<br><b>2010/06/21</b> | DATE<br><b>2010/06/21</b>         | PRODUCT CUSTOMER DRAWING     |                            |  |  |
|  | DRAFT WHERE APPLICABLE MUST REMAIN WITHIN DIMENSIONS  |  | DRAWING SIZE<br><b>D</b>  | THIRD ANGLE PROJECTION    | SERIES<br><b>34793</b>            | MATERIAL NUMBER<br>SEE TABLE | CUSTOMER<br>GENERAL MARKET |  |  |
|  | F3  | DOCUMENT NUMBER<br><b>SD-34793-001</b> | DOC TYPE<br>PSD   | DOC PART<br>001           | SHEET NUMBER<br><b>3 OF 3</b>     |                              |                            |  |  |