

REVISIONS					
REV	ECD	DESCRIPTION	DATE	BY	APPR
01	-	RELEASE NEW DWG FORMAT	-	-	-
02	-	CHANGED VOLTAGE FROM 250V TO 500V	14JAN22	MRF	DR

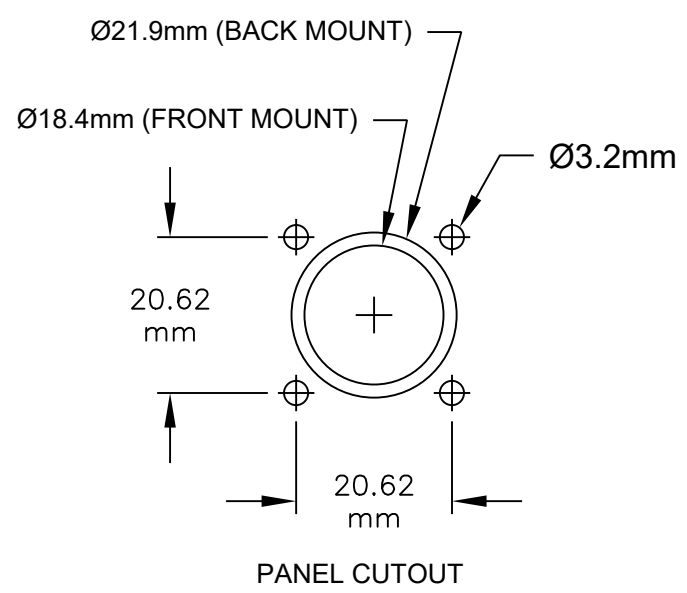
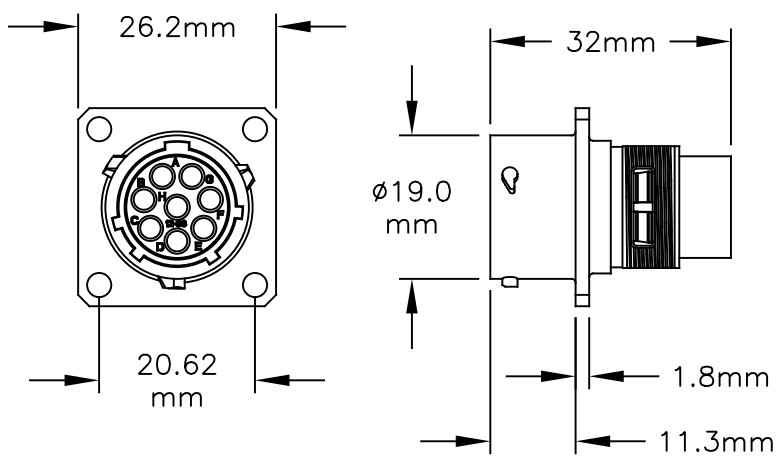
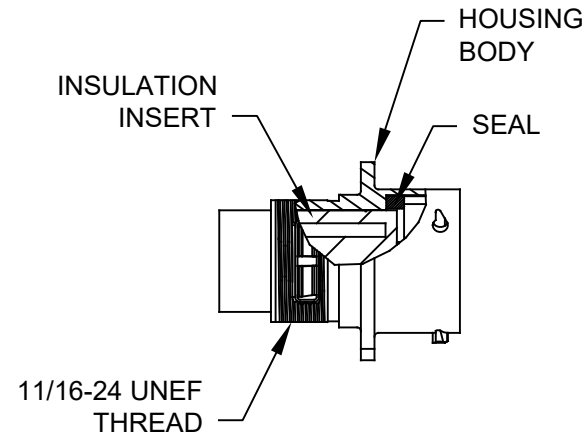
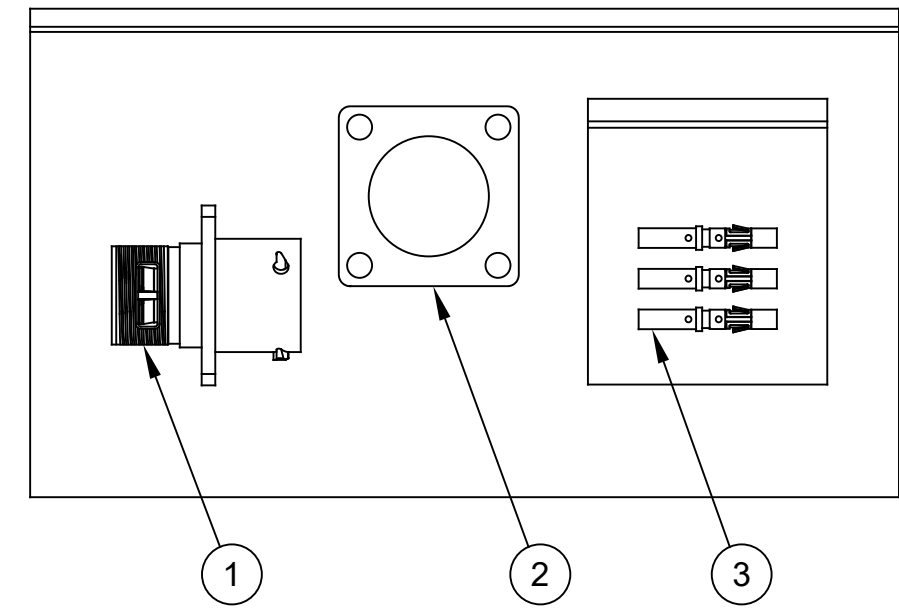


ILLUSTRATION: COMPLETE KIT



- NOTES:
- CONTACT BARREL RANGE: 16AWG TO 18AWG
 - RECOMMENDED CRIMP TOOLS:
HAND CRIMPER: MFX-3959
PNEUMATIC CRIMPER: MFX-3960
 - EXTRACTION TOOL: QXRT16
 - MATERIALS:
HOUSING BODY: ZINC DIE CAST, NICKEL PLATED
INSULATION INSERT: PA66, UL94/V-0
CONTACT: BRASS, GOLD FLASH PLATED
SEAL: NBR (NITRILE BUTADIENE RUBBER)
 - ELECTRICAL DATA:
a) CURRENT (MAX): 13A
b) VOLTAGE (MAX): 500V AC/DC
c) INSULATION RESISTANCE (MIN): 5000M OHMS
d) TEST VOLTAGE (BETWEEN CONTACTS): 3050V

- 6) TECHNICAL DATA:
- TEMPERATURE RANGE: -40°C TO 105°C
 - PROTECTION: IP67 (MATED CONDITION)
 - MATING CYCLES: >500
 - VIBRATION RESISTANCE PER MIL-STD-202 METHOD 204
 - THERMAL SHOCK PER MIL-STD-202 METHOD 207
 - 48 HOUR SALT SPRAY PER MIL-STD-202 METHOD 101
- 7) RoHS COMPLIANT

QUANTITY	PART NUMBER	DESCRIPTION	ITEM
8	MS16M23F	CONTACT, SOCKET, SIZE 16	3
1	RTFD12B	GASKET	2
1	RT00128SNH	CONNECTOR	1

MATERIALS LIST			
UNLESS OTHERWISE SPECIFIED 1) All dimensions are in metric(mm). 2) Tolerances are as follows: 1 PL DEC ±0.30 2 PL DEC ±0.15 3 PL DEC ±0.08 3) Note reference = \triangle X		SIGNATURES DRAWN: MRF CHECKED: ENGINEER: APPROVAL:	DATE 10SEP13
MATERIAL SPECIFICATIONS:		CUSTOMER:	
PROCESS SPECIFICATIONS:		THIS DRAWING IS SUPPLIED FOR INFORMATION ONLY. DESIGN FEATURES, SPECIFICATIONS AND PERFORMANCE DATA SHOWN HEREON ARE THE PROPERTY OF THE AMPHENOL CORPORATION. NO RIGHTS OF REPRODUCTION ARE IMPLIED. ALL DIMENSIONS ARE SUBJECT TO NORMAL MANUFACTURING VARIATIONS.	
NEXT ASSY:	SCALE: NONE	SIZE: B C- TYPE: C- DWG NO: RT00128SNH-K REVISION: 02	SHEET 1 OF 1

TITLE: KIT, ECO-MATE
DWG NO: REV:02 SH: 1 OF: 1