

LIGHTHAWK® LHL SERIES WALL SWITCH SENSOR

WALL SWITCH OCCUPANCY SENSORS

tradeSELECT®

FEATURES

- Digital passive infrared (PIR) sensor
- Single relay models for ON/OFF switching
- Occupancy (auto-on) and Vacancy (manual-ON) operating modes
- 1,000 square-foot, 180° coverage area
- RhinoTuff™ vandal resistant lens
- 120/277VAC models



RELATED PRODUCTS

- ⌘ [Occupancy Sensor Accessories](#)
- ⌘ [LightHAWK PIR](#)
- ⌘ [LightHAWK Dimming PIR](#)
- ⌘ [LightHAWK Dual Tech](#)
- ⌘ [LightHAWK Dimming Dual Tech](#)
- ⌘ [LightHAWK Ultrasonic](#)

SPECIFICATIONS

CONSTRUCTION

- Casing - High-impact, injection-molded plastic (UL-94-5V Impact-resistance lens)
- Color-coded leads are 6" (152.4mm) long
- Wrap around galvanized steel mounting strap
- 5.12 oz. (145.15g)
- White; Ivory; Light Almond; Gray; Black
- Dual-element pyrometer and 12-element cylindrical RhinoTuff™ lens

MOUNTING

- Single-gang NEMA-style switch box (standard switch box)
- Decorator-style wall plate sold separately

ELECTRICAL

- Natural light override range: 10-500 foot-candles

ELECTRICAL (CONTINUED)

- 120/277VAC; 50/60Hz
- 120VAC: 800W Incandescent/ Electronic Ballast/ LED Driver; 1,000W Magentic Ballast; 1/8 HP Motor
- 277VAC: 1,800W Magnetic Ballast/ Electronic Ballast/ LED Driver; 1/8 HP Motor

OPERATIONS

- Coverage
 - 1,000 square-foot, 180° coverage area
- Timer Settings
 - Fixed mode: 4, 8, 16, and 20 minutes
 - Test mode: 5 seconds

OPERATING ENVIRONMENT

- Indoor use only
- Operating temperature: 32° to 104°F (0° to 40°C)
- Relative humidity (non-condensing): 0% to 95%

CERTIFICATIONS

- Listed UL and cUL

WARRANTY

- 5 year warranty
- See [HLI Standard Warranty](#) for additional information

ORDERING GUIDE

Example: LHL-IRS1-G-WH-M

CATALOG # _____

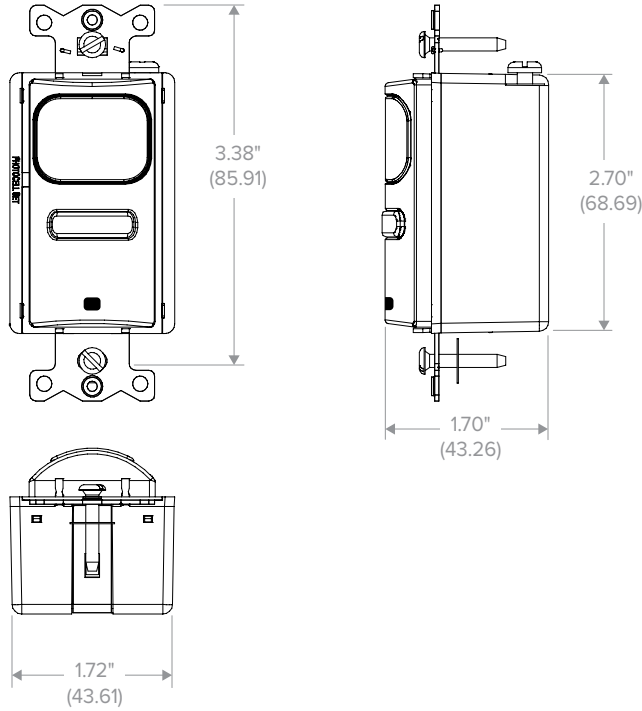
Series	Buttons	Wiring	Color	Mode
LHL-IRS	LightHAWK® LHL Series, Passive Infrared, Single Relay 1 1	G Ground (120/277V)	WH White IV Ivory LA Light Almond GY Gray BK Black	Blank Switchable Vacancy or Occupancy Mode M Vacancy Mode Only



LIGHTHAWK® LHL SERIES WALL SWITCH SENSOR

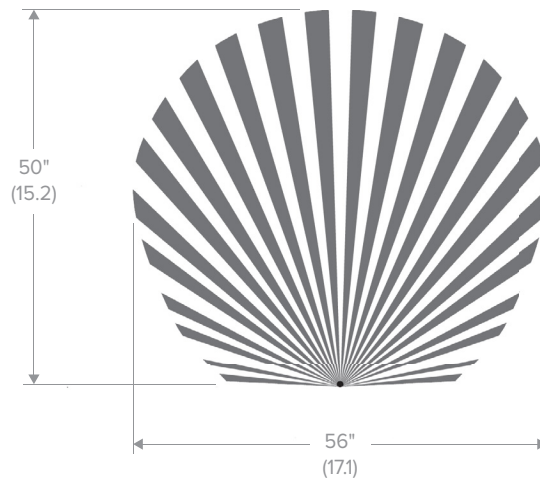
WALL SWITCH OCCUPANCY SENSORS

DIMENSIONS



ADDITIONAL INFORMATION

COVERAGE PATTERN



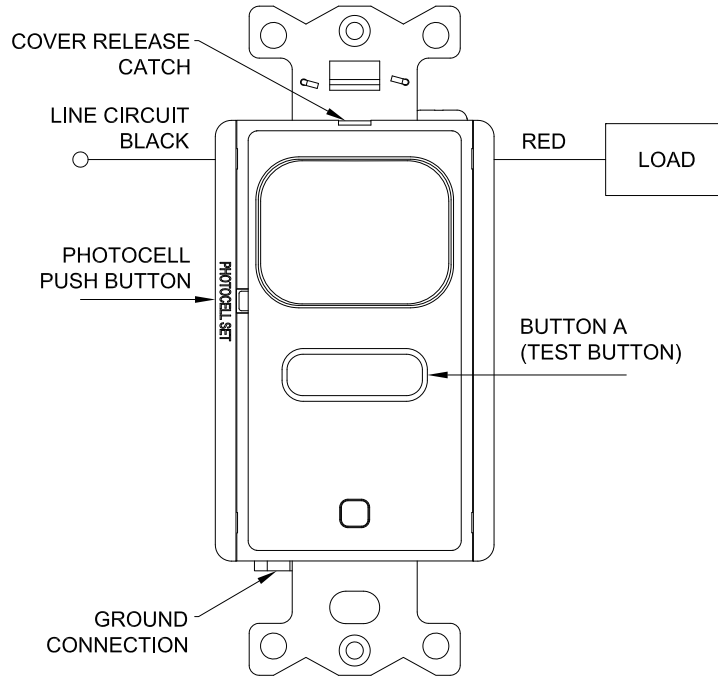


LIGHTHAWK® LHL SERIES WALL SWITCH SENSOR

WALL SWITCH OCCUPANCY SENSORS

ADDITIONAL INFORMATION (CONTINUED)

WIRING DIAGRAM



SINGLE LOAD WIRING

All product and company names, logos and product identifiers are trademarks ™ or registered trademarks ® of Hubbell Lighting, Inc. or their respective owners. Use of them does not necessarily imply any affiliation with or endorsement by such respective owners.