

1. MECHANICAL DIMENSIONS :

A

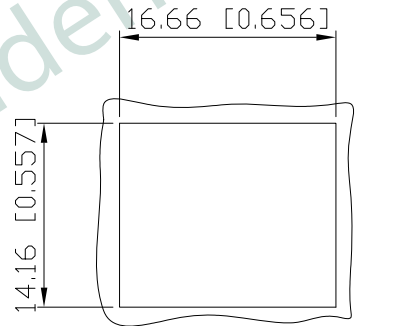
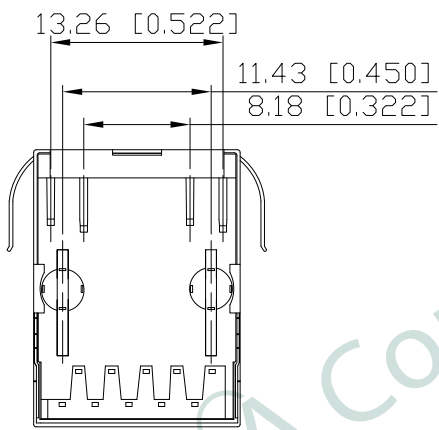
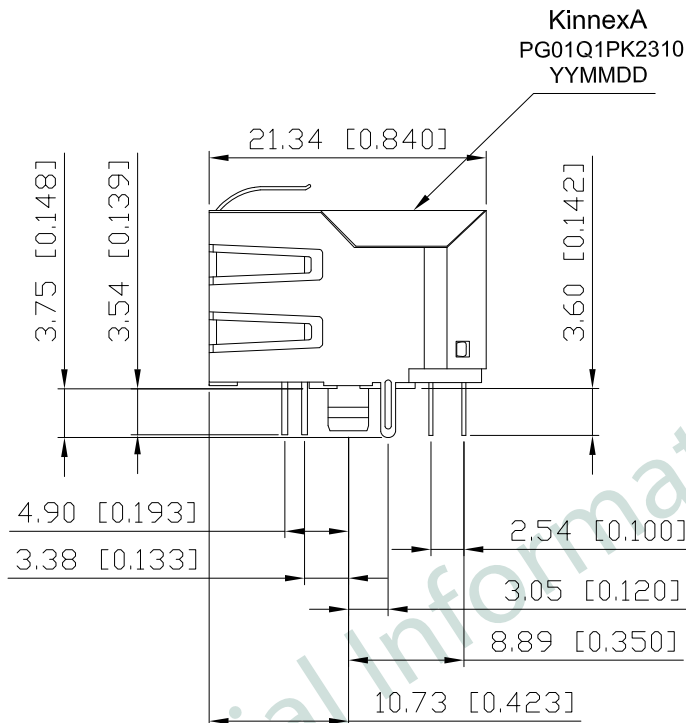
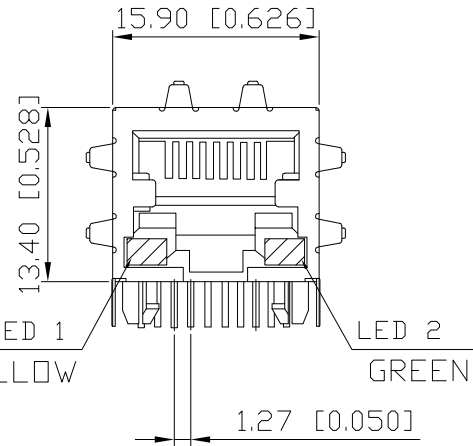
B

C

D

E

F

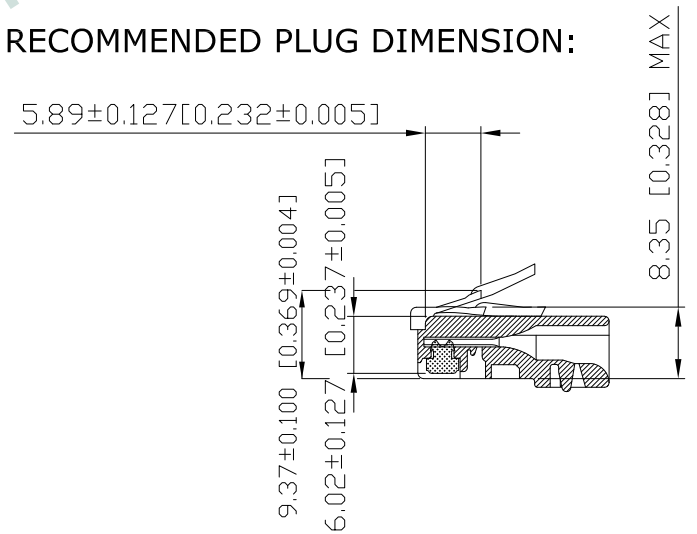


RECOMMENDED
PANEL CUTOUT DIMENSION

REV.	DATE	DESCRIPTION
01	Feb. 19, '14	1st RELEASE

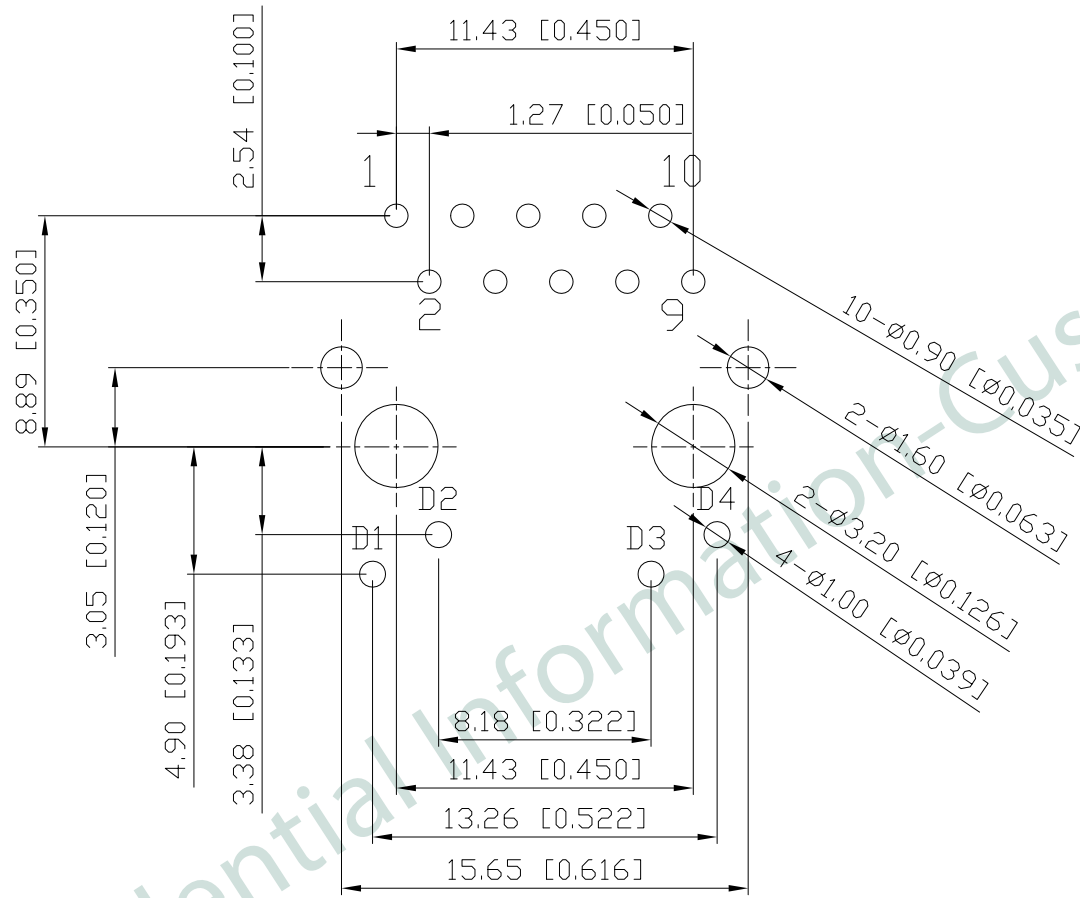
- MATERIALS:
HOUSING-PBT POLYESTER UL94V-0
MIXED GLASS FIBER, COLOR-BLACK.
CONTACTS-0.35mm THICK PHOS-BRONZE PLATED
WITH 15u" GOLD IN CONTACT AREA AND TIN IN
SOLDER AREA, UNDERPLATED WITH NICKEL
IN ALL AREA.
SHIELD-0.25mm THICK COPPER ALLOY,
PLATED WITH NICKEL.
- OPERATING TEMPERATURE: 0°C~+70°C
- CAVITY CONFORMS TO FCC RULES AND REGULATIONS
PART 68, SUBPART F
- UNSPECIFIED TOLERANCE: .XX ±0.25[0.010]
.X ±0.30[0.012]

RECOMMENDED PLUG DIMENSION:



PART NO		KPG-01Q-1-PK2-310		
TITLE	RJ45, W/ 10/100 TRANSFORMER, W/LED, SHIELDED, PoE			
REV : 01				
UNIT	DRAWN	CHKD	DATE	SHEET
mm[inch]	IVAN	LED	Feb. 19, '14	1 of 5

2. PCB LAYOUT :



SUGGESTED PCB LAYOUT
(TOP VIEW)

DIMENSIONAL TOLERANCE: .XX ±0.08[0.003]

KPG-01Q-1-PK2-310

PRODUCT SERIES
G: TAB DOWN WITH LED

NUMBER OF PORT
MECHANICAL TYPE
01Q: KPG 1 PORT W/O BLIQUE
LED PIN

LED COLOR OPTION

SPECIAL CODE
0: STANDARD

SHIELDED TYPE
1: Y=3.05mm, EMI FINGER
ON ALL SIDE

LED POLARITY
3: -+, -+

CIRCUIT TYPE

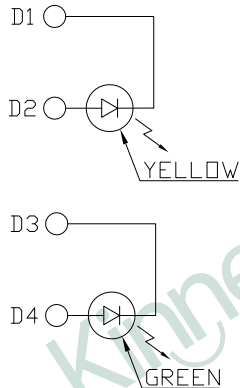
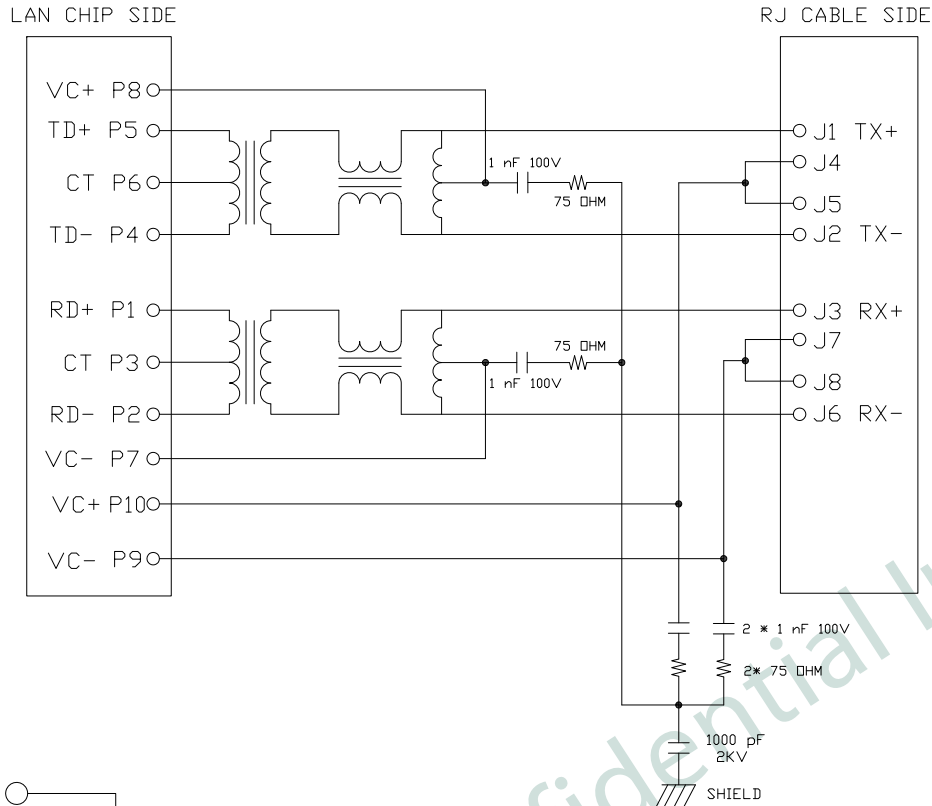


PART NO		KPG-01Q-1-PK2-310		
TITLE	RJ45, W/ 10/100 TRANSFORMER, W/LED, SHIELDED, PoE			
REV : 01				
UNIT	DRAWN	CHKD	DATE	SHEET
mm[inch]	IVAN	LED	Feb. 19, '14	2 of 5

3. SCHEMATIC:

4. ELECTRICAL CHARACTERISTICS:

- 1.TR:(100KHz,0.1V);
PINS:(P1-P2):(J1-J2)=1:1±3%
PINS:(P7-P8):(J3-J6)=1:1±3%
- 2.LX:(100KHz,100mV,8mA, DC Bias)
PINS:(P1,P2),(P7,P8)=350uH MINIMUM
- 3.DCR:
PINS:(J1,J2),(J3,J6)=1.2 OHMS MAXIMUM
- 4.HIPOT:
INPUT TO OUTPUT : 1500VAC FOR 60 SECONDS
- 5.INSERTION LOSS:
-1.0dB MAXIMUM AT 0.3MHz TO 100MHz;
- 6.RETURN LOSS:
-20dB MINIMUM AT 1MHz TO 30MHz;
-15dB MINIMUM AT 30MHz TO 60MHz
-10dB MINIMUM AT 60MHz TO 80MHz
- 7.CROSS TALK:
-30dB MINIMUM AT 1MHz TO 100MHz
- 8.COMMON TO COMMON MODE REJECTION:
-30dB MINIMUM AT 1MHz TO 100MHz

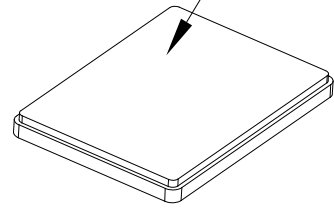


Color	VF(V) @20mA		IV(mcd) @20mA		IF (mA) Typ.	Peak wave Length λP(nm) @20mA	
	Min.	Max	Min.	Max		Min.	Max
YELLOW	1.7	2.2	50	100	20	585	595
GREEN	1.7	2.2	30	50	20	565	575

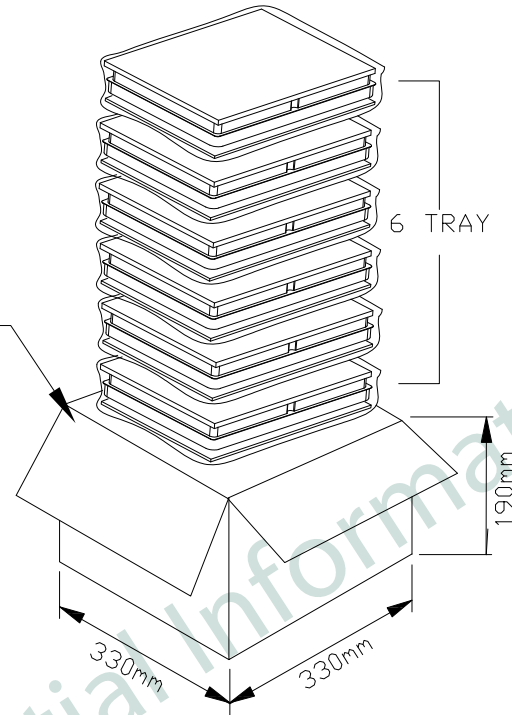
PART NO		KPG-01Q-1-PK2-310		
TITLE	RJ45, W/ 10/100 TRANSFORMER, W/LED, SHIELDED, PoE			
REV : 01				
UNIT	DRAWN	CHKD	DATE	SHEET
mm[inch]	IVAN	LED	Feb. 19, '14	3 of 5

5. PACKING SPECIFICATION

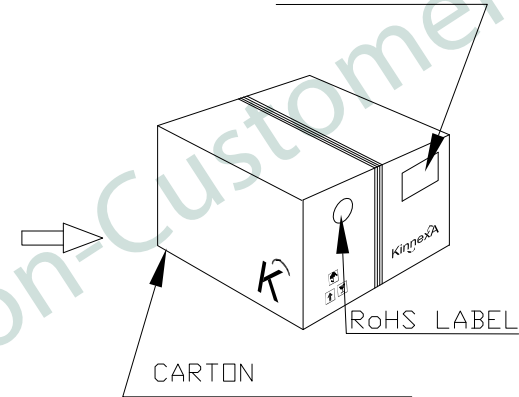
TRAY
120 PCS/TRAY



CARTON
720 PCS



PACKING LABEL

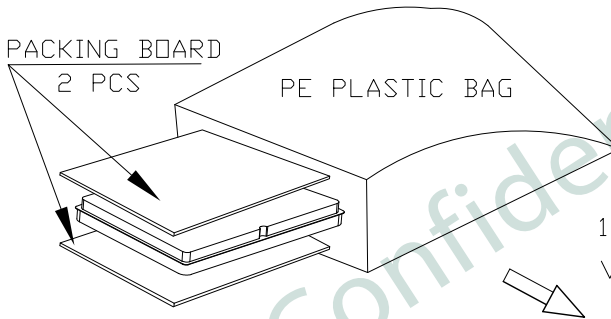


CARTON

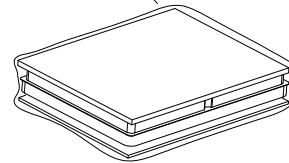
1 PCS: N.W.-5.8g
1 CTN: N.W.-4.1Kg(720PCS)
1 CTN: G.W.-5.5Kg
SIZE: 330x330x190(mm)


PACKING BOARD
2 PCS

PE PLASTIC BAG

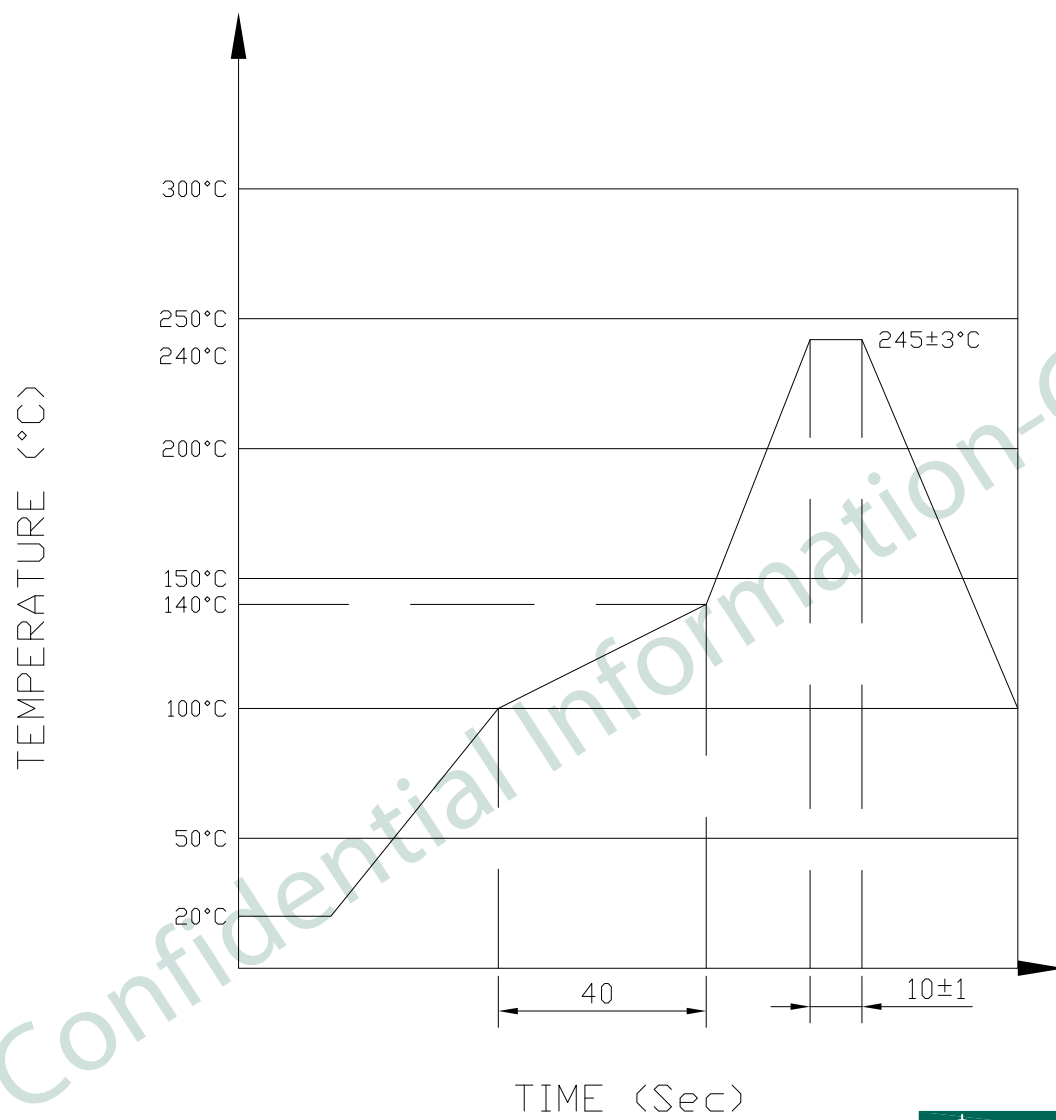


1 TRAY+2 PCS PACKING BOARD
VACUUM SEALED



 PART NO		KPG-01Q-1-PK2-310		
TITLE	RJ45, W/ 10/100 TRANSFORMER, W/LED, SHIELDED, PoE			
REV : 01				
UNIT	DRAWN	CHKD	DATE	SHEET
mm[inch]	IVAN	LED	Feb. 19, '14	4 of 5

6. PROFILE OF WAVE SOLDER :



THE MEASURING POINT FOR THE SPECIFIED TEMPERATURE SHALL BE ON THE SOLDERED PART OF THE LEAD

PART NO KPG-01Q-1-PK2-310				
TITLE	RJ45, W/ 10/100 TRANSFORMER, W/LED, SHIELDED, PoE			
REV : 01				
UNIT	DRAWN	CHKD	DATE	SHEET
mm[inch]	IVAN	LED	Feb. 19, '14	5 of 5