

Product Change Notification(PCN)

Issue Date: 2018/12/13
Modification / Revision Date: 2018/12/13

AU-Y1009 AU-Y1010 Micro USB connectors

Change Notification: PCN 20181213-AU-Y10xx

Description of changes: OBSOLETE - DISCONTINUATION OF PRODUCT

Date of change and Implementation: Change: Week 18 / 2018
Implementation: 2018/12/13

Key Characteristics of Change: OBSOLETE - DISCONTINUATION OF PRODUCT

Products Affected: AU-Y1009 AU-Y1010

Reason for Change: OBSOLETE - Proclamation of product

Response : No response to this notification is required.

PCN Revision History:

Date of Revision: 2018/12/13

Revision Number: 00

page 1/

Auf dem Schüffel 1
D-58513 Lüdenscheid
Tel.: +49-2351 - 554-0
Fax +49 (2351) 554-861
info@assmann-wsw.com
www.assmann-wsw.com

Product Change Notification(PCN)

Issue Date: 2018/12/13
Modification / Revision Date: 2018/12/13

Reference Documents / Attachments:

Document: Drawing

ASSMANN WSW P/N	Drawing Number
AU-Y1009	ASS_6064_COrev02
AU-Y1010	ASS_5927_COrev00

PCN History:

Date of Revision: 2018/12/13

Revision Number: 00

page 2/

1

2

3

4

5

6

7

A

B

C

D

E

F

A

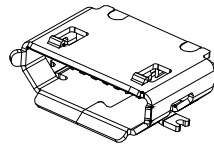
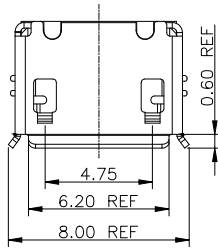
B

C

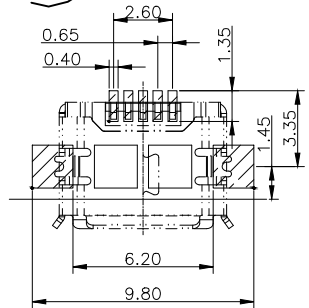
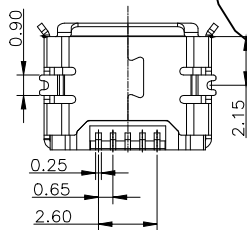
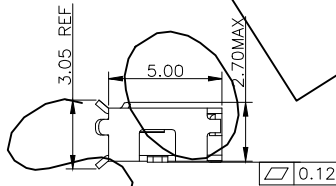
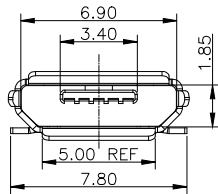
D

E

F



- NOTES:
- MATERIAL:
 - HOUSING: LCP+30%G.F UL94V-0, BLACK COLOR.
 - CONTACT: BRASS
 - SHELL: SUS301
 - FINISH:
 - CONTACT:
 - CONTACT AREA: GOLD PLATED 5u"
 - SOLDER AREA: GOLD PLATED 5u"
 - UNDER PELATE: NI PLATED
 - SHELL: NI PLATED
 - MECHANICAL:
 - MATING FORCE: 3.57kgf MAX.
 - UNMATING FORCE: 0.8kgf MIN
 - DURABILITY: 10000 CYCLES MIN
 - ELECTRICAL:
 - CURRENT RATING: 0.5A.
 - DIELECTRIC STRENGTH: 100V AC FOR 1MINUTE.
 - CONTACT RESISTANCE: 30mΩ MAX.
 - INSULATION RESISTANCE: 1000MΩ MIN
 - OPERATING TEMPERATURE: -30°C TO +80°C.
- ② Packing: Tape&Reel



Recommended P.C.Board Layout
(Tolerance:±0.05)

RoHS compliant
unit:mm

G	Scale	FREE					Date	Name	Customer-No.
	TOLERANCE						Drawn	23.10.2013	Ray
	X.X	±0.30					Approved	03.08.2015	Ray
H	X.XX	±0.20							ASSMANN WSW-No.
	X.XXX	±0.10	②	Add the packing information	15.09.2015	Winnie			AU-Y1009
H	DIM	TOL	①	Drawn	03.08.2015	Ray			Drawing-No.
	X.°	±5°	①	Drawn	23.10.2013	Ray			ASS 6064 CO
			①	Drawn				Replace	Sheet
	Angle	TOL	Id.	Modification	Date	Name			1 of 1

1

2

3

4

5

6

7

	1	2	3	4	5	6	7																																																																																	
A								A																																																																																
B								B																																																																																
C								C																																																																																
D								D																																																																																
E								E																																																																																
F								F																																																																																
G	<p>RoHS compliant Unit:mm</p> <table border="1"> <tr> <td>Scale</td> <td>Free</td> <td></td> <td></td> <td></td> <td></td> <td>Date</td> <td>Name</td> <td>Customer-No.</td> </tr> <tr> <td colspan="2">TOLERANCE</td> <td></td> <td></td> <td></td> <td></td> <td>Drawn</td> <td>06.09.2013</td> <td>Amy</td> </tr> <tr> <td>.X</td> <td>±0.38</td> <td></td> <td></td> <td></td> <td></td> <td>Approved</td> <td>06.09.2013</td> <td>Amy</td> </tr> <tr> <td>.XX</td> <td>±0.25</td> <td></td> <td></td> <td></td> <td></td> <td></td> <td></td> <td>ASSMANN WSW-No.</td> </tr> <tr> <td>.XXX</td> <td>±0.10</td> <td></td> <td></td> <td></td> <td></td> <td></td> <td></td> <td>AU-Y1010</td> </tr> <tr> <td>DIM</td> <td>TOL</td> <td></td> <td></td> <td></td> <td></td> <td></td> <td></td> <td>Drawing-No.</td> </tr> <tr> <td>.X°</td> <td>±3°</td> <td></td> <td></td> <td></td> <td></td> <td></td> <td></td> <td>ASS 5927 CO</td> </tr> <tr> <td>.XX°</td> <td>±2°</td> <td>①</td> <td>Drawn</td> <td>06.09.2013</td> <td>Amy</td> <td colspan="2" rowspan="2"> </td> <td>rev00</td> </tr> <tr> <td>Angle</td> <td>TOL</td> <td>Id.</td> <td>Modification</td> <td>Date</td> <td>Name</td> <td>Replace</td> <td>SHEET</td> </tr> </table>							Scale	Free					Date	Name	Customer-No.	TOLERANCE						Drawn	06.09.2013	Amy	.X	±0.38					Approved	06.09.2013	Amy	.XX	±0.25							ASSMANN WSW-No.	.XXX	±0.10							AU-Y1010	DIM	TOL							Drawing-No.	.X°	±3°							ASS 5927 CO	.XX°	±2°	①	Drawn	06.09.2013	Amy			rev00	Angle	TOL	Id.	Modification	Date	Name	Replace	SHEET	G
Scale	Free					Date	Name	Customer-No.																																																																																
TOLERANCE						Drawn	06.09.2013	Amy																																																																																
.X	±0.38					Approved	06.09.2013	Amy																																																																																
.XX	±0.25							ASSMANN WSW-No.																																																																																
.XXX	±0.10							AU-Y1010																																																																																
DIM	TOL							Drawing-No.																																																																																
.X°	±3°							ASS 5927 CO																																																																																
.XX°	±2°	①	Drawn	06.09.2013	Amy			rev00																																																																																
Angle	TOL	Id.	Modification	Date	Name			Replace	SHEET																																																																															
H								H																																																																																
	1	2	3	4	5	6	7	C0N0165																																																																																

Note:

Material:

- 1.1 Housing: PBT+30%G.F UL94V-0 Black
- 1.2 Cover: PBT+30%G.F UL94V-0 Black
- 1.3 Contact: C5191 R-EH
- 1.4 Shell: SUS 301 R-1/4 H2
- 1.5 Hook: SUS 301 R-EH

2.1 Contact plating:

- Contact area: 5u" Gold
- Solder tails area: Tin plated
- Under plate: Nickel plated

2.2 Shell plating: Nickel plated

Mechanical:

- 3.1 Mating Force: 35N max.
- 3.2 Withdrawal Force: 8N min. initial
- 3.3 Durability: 10000 cycles min.

Electronic:

- 4.1 Current Rating: 1.0A
- 4.2 Withstand Voltage: 100V AC
- 4.3 Contact Resistance: 30mΩ max.
- 4.4 Insulation Resistance: 100 MΩ min.

- 5.1 Temperature Range: -30°C~+80°C

6.1 Packing: Tray