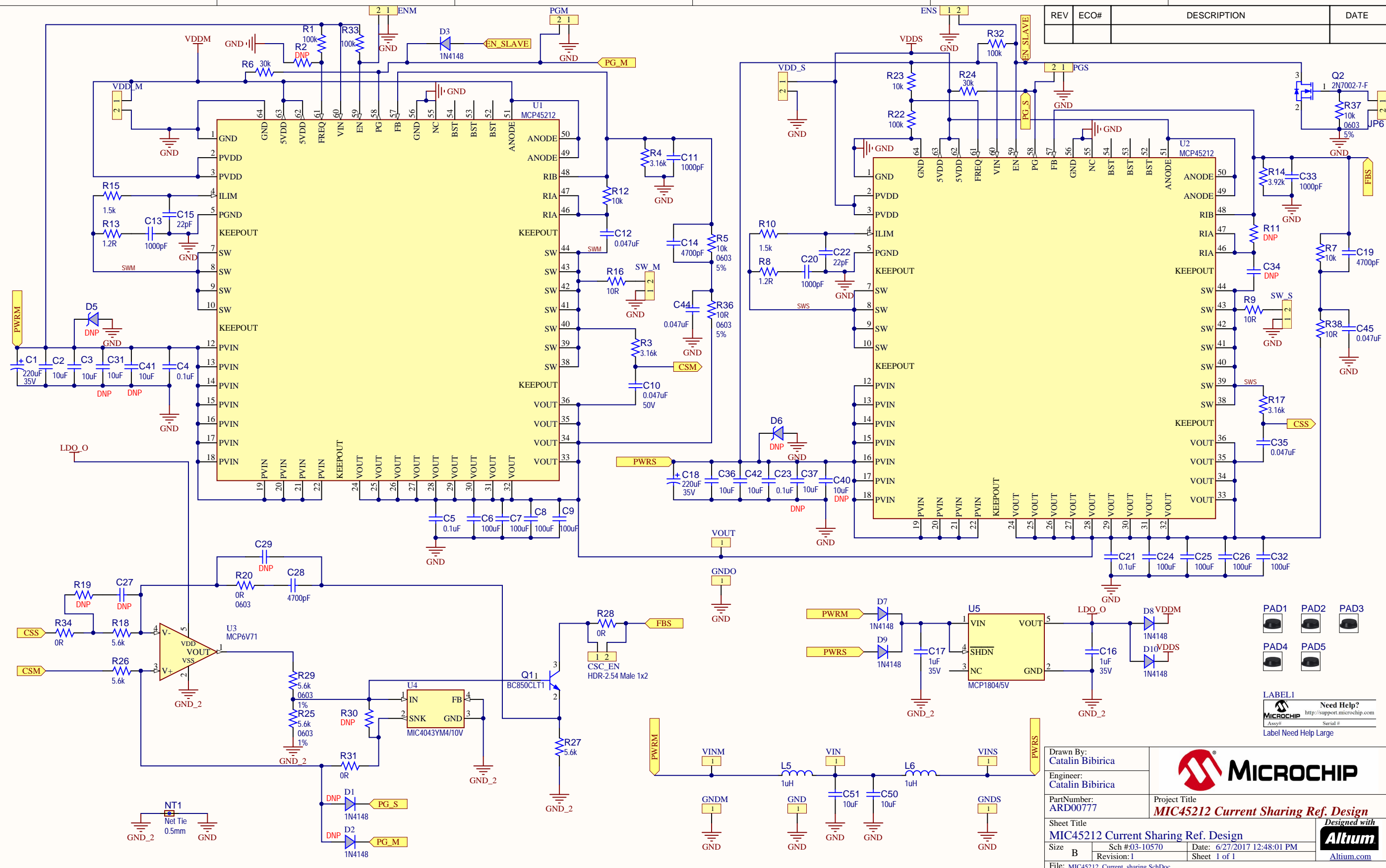


REV	ECO#	DESCRIPTION	DATE



**Need Help?**  
<http://support.microchip.com>  
 Ansys? Serial #  
 Label Need Help Large

Drawn By: Catalin Bibirica	<b>MICROCHIP</b>
Engineer: Catalin Bibirica	
PartNumber: ARD00777	Project Title <b>MIC45212 Current Sharing Ref. Design</b>
Sheet Title <b>MIC45212 Current Sharing Ref. Design</b>	Designed with 
Size: B	Sch #03-10570 Date: 6/27/2017 12:48:01 PM Revision:1 Sheet 1 of 1
File: MIC45212_Current_sharing.SchDoc	