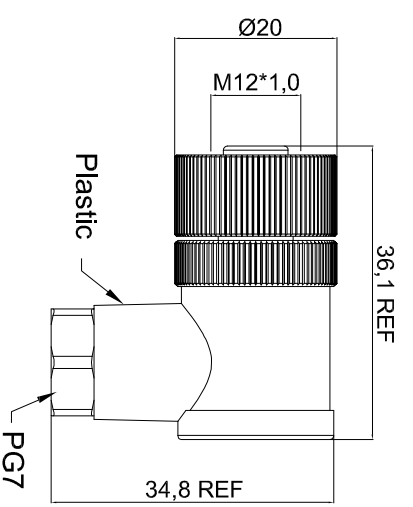
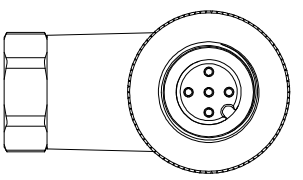
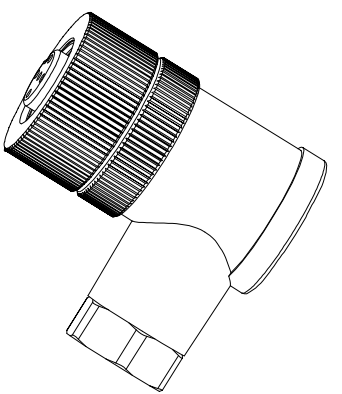


1	2	3	4	5	6	7
---	---	---	---	---	---	---



TERMINATION: SCREW



Electrical Character

Part Number	Contacts	Rated Voltage		Rated Current	Contact Resistance	Cable OD (mm)
		A/C	D/C			
A-M12-03-FAPA-GEB1		250V	250V	4A	≤10mΩ	4~6
A-M12-04-FAPA-GEB1		250V	250V	4A	≤10mΩ	4~6
A-M12-05-FAPA-GEB1		60V	60V	4A	≤10mΩ	4~6
A-M12-08-FAPA-GEB1		30V	30V	2A	≤10mΩ	4~6

- ② Notes:
1. Waterproof connector rating is IP67/IP68
  2. Contact PIN: Phosphor bronze with 1u" Gold plating
  3. Coupling nut/screw: Brass with nickel plating
  4. Insulation plastic: PA66+GF Black UL94V-0
  5. Insulation Resistance: > 100MΩ
  6. Mating Cycle: 100 times Min, 500 times Max.
  7. Operating temperature: -25°C~+85°C
  - ① 8. Unshielded

RoHS compliant

Unit: mm

Scale	Free TOLERANCE	Free	Id.	Modification	Date	Name
.X	±0.5					
.XX	±0.20			Remove "resistance many oils and chemical" from notes	06.09.2019	Amy
DIM	TOL			Update the notes	26.04.2019	Segal
X.°	±2.0°			Drawn	28.09.2018	Segal
.X°	±1.0°					
Angle	TOL					

Date	Name
Drawn 28.09.2018	Segal
Approved 06.09.2019	Amy

Customer-No.	ASSMANN WSW-No.	A-M12-xx-FAPA-GEB1
Drawing-No.	ASS 8017 CO	rev02
Replace		Sheet



1	2	3	4	5	6	7
---	---	---	---	---	---	---