

San Ace 60

9RA type

DC Fan

Features

Low Noise and Energy Saving

Compared to our current model,⁽¹⁾ noise level has been halved⁽²⁾ and power consumption has been reduced by 26%.⁽³⁾

Moreover, the models with PWM control, which enables the control of fan speed, provide further optimized noise level and efficiency.

Long Life

This fan lasts 1.5 times longer than the current model,⁽¹⁾ and is capable of continuous operation for 60,000 hours (approximately 7 years), improving the maintainability.

Rich Lineup

The product lineup is available in a wide variety in 12/24/48 voltage, cooling performance, noise level, and PWM control. This allows users to choose the most suitable one for their applications.

(1) Current model: 60 x 60 x 25 mm San Ace 60 9R type DC Fan (model: 109R0612J401).

(2) A 3 dB(A) decrease in noise level.

(3) For models 9RA0612P4J001 and 9RA0612J4001



60 x 60 x 25 mm

Specifications

The models listed below **have ribs and pulse sensors with PWM control function**. For models without ribs, append "1" to the end of model numbers.

Model no.	Rated voltage [V]	Operating voltage range [V]	PWM duty cycle* [%]	Rated current [A]	Rated input [W]	Rated speed [min ⁻¹]	Max. airflow [m ³ /min] [CFM]	Max. static pressure [Pa] [inchH ₂ O]	Noise level [dB(A)]	Operating temperature [°C]	Expected life [h]
9RA0612P4J001	12	10.8 to 13.2	100	0.35	4.2	7700	1.1 38.8	130 0.52	41	-20 to +70	60000/60°C (90000/40°C)
			30	0.05	0.6	1900	0.27 9.5	8.1 0.03	13		
9RA0624P4J001	24	21.6 to 26.4	100	0.18	4.32	7700	1.1 38.8	130 0.52	41		
			20	0.03	0.72	1700	0.24 8.5	6.5 0.02	11		
9RA0648P4J001	48	43.2 to 52.8	100	0.1	4.8	7700	1.1 38.8	130 0.52	41		
			20	0.03	1.44	1800	0.25 8.8	7.1 0.03	12		

* PWM input frequency is 25 kHz; models without specifications at 0% PWM duty cycle have zero fan speed at 0%.

The models listed below **have ribs and pulse sensors**. For models without ribs, append "1" to the end of model numbers.

Model no.	Rated voltage [V]	Operating voltage range [V]	Rated current [A]	Rated input [W]	Rated speed [min ⁻¹]	Max. airflow [m ³ /min] [CFM]	Max. static pressure [Pa] [inchH ₂ O]	Noise level [dB(A)]	Operating temperature [°C]	Expected life [h]
9RA0612J4001	12	7 to 13.8	0.35	4.2	7700	1.1 38.8	130 0.52	41	-20 to +70	60000/60°C (90000/40°C)
9RA0612G4001			0.15	1.8	5600	0.8 28.2	69 0.28	36		
9RA0612S4001			0.1	1.2	4600	0.66 23.3	46 0.18	30		
9RA0612H4001			0.07	0.84	3800	0.54 19.1	32 0.13	26		
9RA0624J4001	24	14 to 27.6	0.18	4.32	7700	1.1 38.8	130 0.52	41		
9RA0624G4001			0.08	1.92	5600	0.8 28.2	69 0.28	36		
9RA0624S4001			0.06	1.44	4600	0.66 23.3	46 0.18	30		
9RA0624H4001			0.05	1.2	3800	0.54 19.1	32 0.13	26		
9RA0648J4001	48	36 to 55.2	0.1	4.8	7700	1.1 38.8	130 0.52	41		
9RA0648G4001			0.06	2.88	5600	0.8 28.2	69 0.28	36		

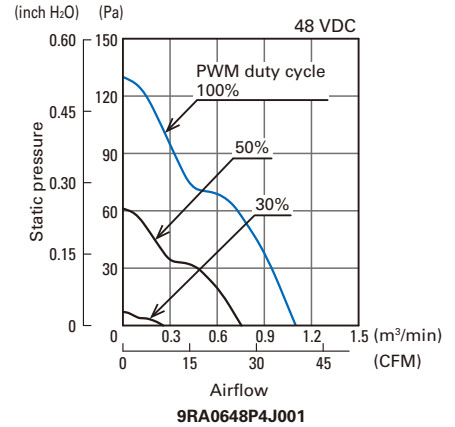
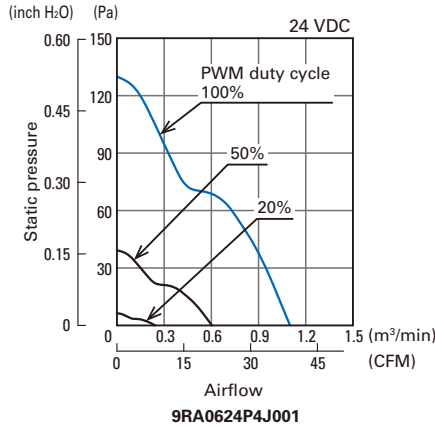
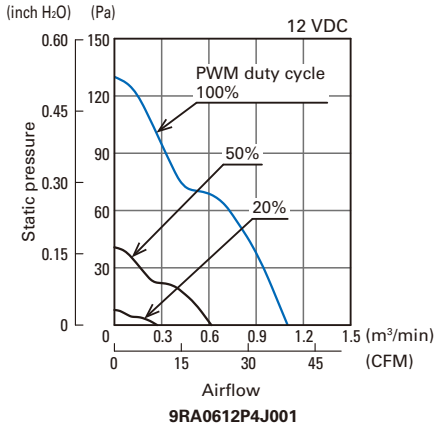
Models with the following sensor specifications are also available as options: **Without sensor** **Lock sensor**

Common Specifications

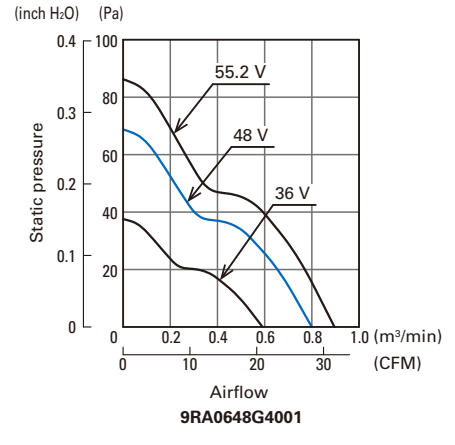
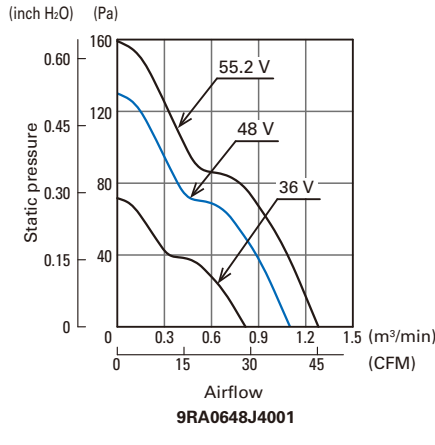
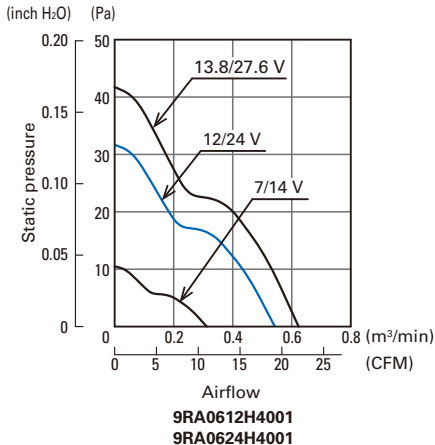
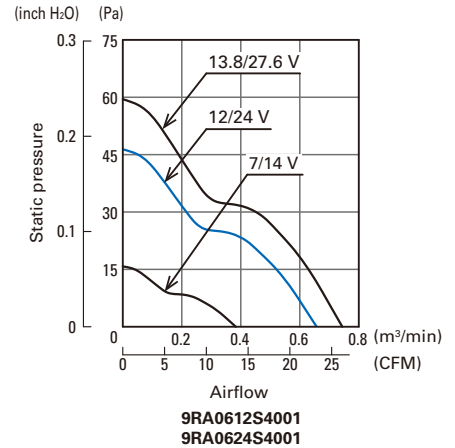
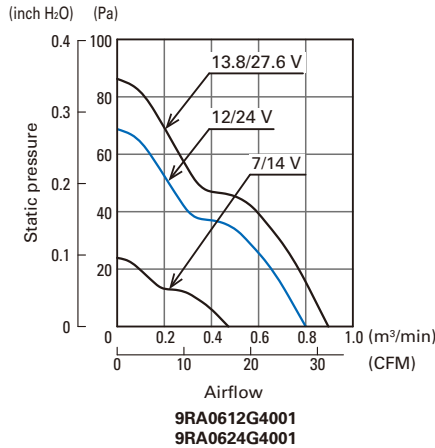
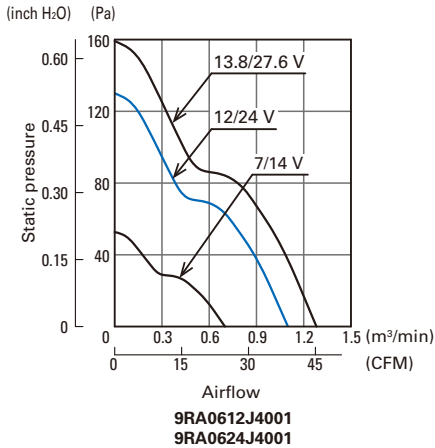
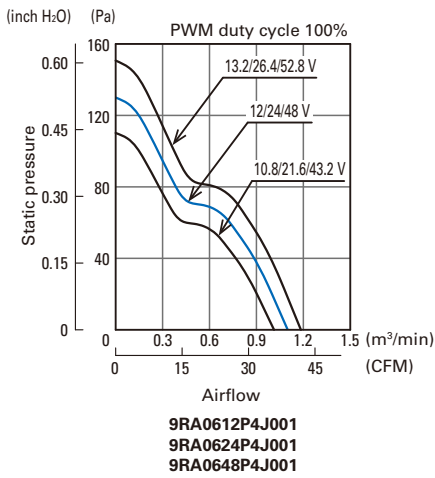
- Material Frame: Plastic (Flammability: UL 94V-0), Impeller: Plastic (Flammability: UL 94V-1)
- Expected life Refer to specifications
(L10 life: 90% survival rate for continuous operation in free air at 60°C, rated voltage)
Expected life at 40°C is for reference only.
- Motor protection function Locked rotor burnout protection, Reverse polarity protection
- Dielectric strength 50/60 Hz, 500 VAC, for 1 minute (between lead wire conductors and frame)
- Insulation resistance 10 MΩ or more with a 500 VDC megger (between lead wire conductors and frame)
- Noise level At 1 m away from the air inlet
- Operating temperature Refer to specifications (Non-condensing)
- Storage temperature -30 to +70°C (Non-condensing)
- Lead wire ⊕ Red ⊖ Black (Sensor) Yellow (Control) Brown
- Mass 70 g

Airflow - Static Pressure Characteristics

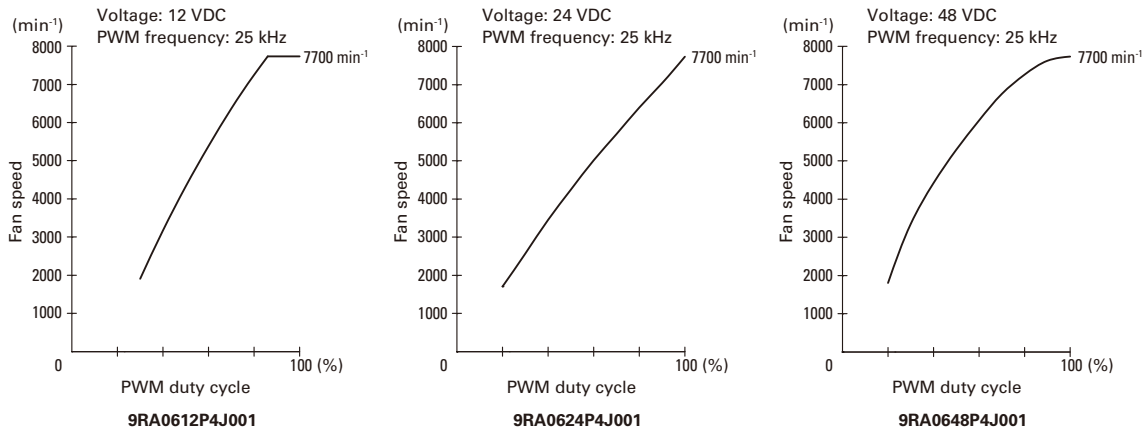
PWM duty cycle



Operating voltage range

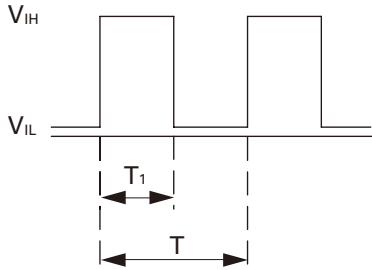


PWM Duty - Speed Characteristics Example



PWM Input Signal Example

Input signal waveform

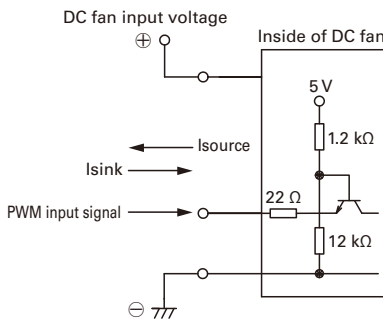


$V_{IH} = 4.75 \text{ to } 5.25 \text{ V}$ $V_{IL} = 0 \text{ to } 0.4 \text{ V}$
 PWM duty cycle (%) = $\frac{T_1}{T} \times 100$ PWM frequency 25 (kHz) = $\frac{1}{T}$
 Current source (I_{source}) = 1.0 mA max. (when control voltage is 0 V)
 Current sink (I_{sink}) = 1.0 mA max. (when control voltage is 5.25 V)

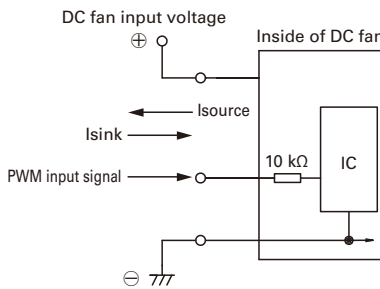
When the PWM control terminal is open, the fan speed is the same as the speed at 100% PWM duty cycle. Either a TTL input or open collector/drain input can be used for the PWM input signal.

Example of Connection Schematic

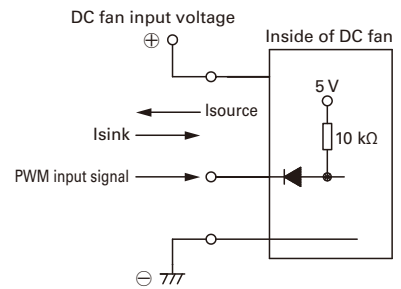
Rated voltage 12 V fan



Rated voltage 24 V fan

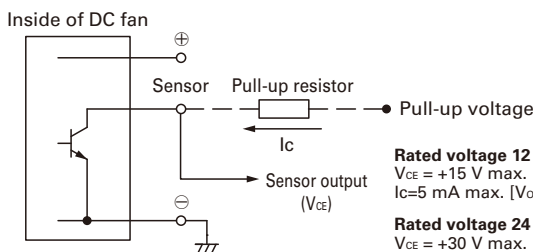


Rated voltage 48 V fan



Specifications for Pulse Sensors

Output circuit: Open collector



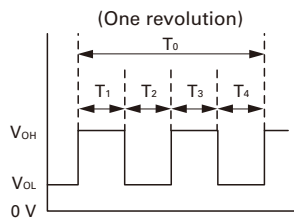
Rated voltage 12 V fan
 $V_{CE} = +15 \text{ V max.}$
 $I_C = 5 \text{ mA max.}$ [$V_{OL} = V_{CE} \text{ (SAT)} = 0.6 \text{ V max.}$]

Rated voltage 24 V fan
 $V_{CE} = +30 \text{ V max.}$
 $I_C = 5 \text{ mA max.}$ [$V_{OL} = V_{CE} \text{ (SAT)} = 1.0 \text{ V max.}$]

Rated voltage 48 V fan
 $V_{CE} = +60 \text{ V max.}$
 $I_C = 5 \text{ mA max.}$ [$V_{OL} = V_{CE} \text{ (SAT)} = 0.4 \text{ V max.}$]

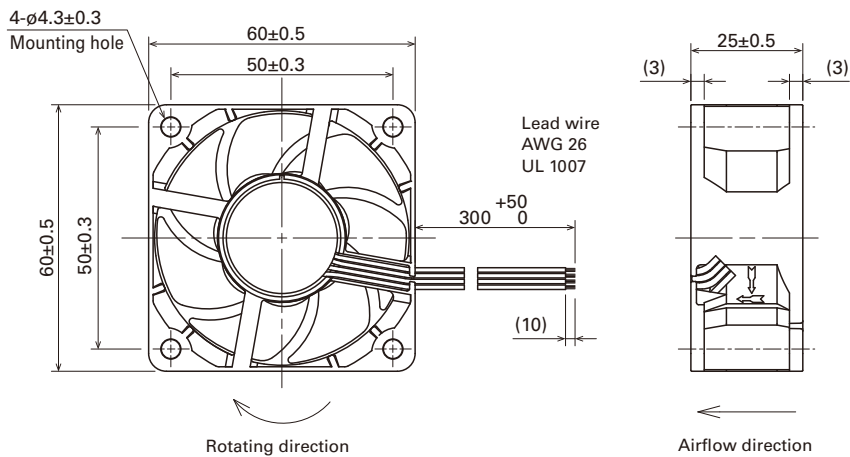
Output waveform (Need pull-up resistor)

In case of steady running

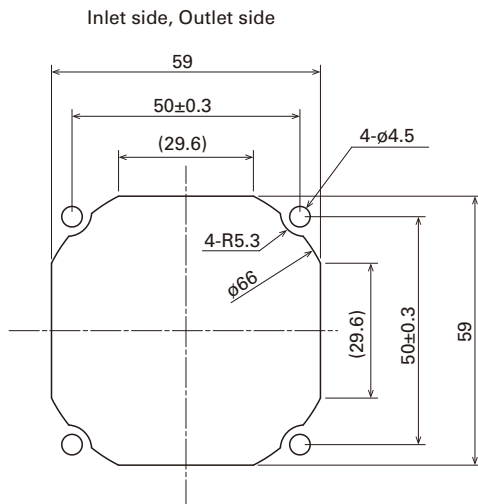


$T_{1 \text{ to } 4} \cong (1/4) T_0$
 $T_{1 \text{ to } 4} \cong (1/4) T_0 = 60/4N \text{ (s)}$
 $N = \text{Fan speed (min}^{-1}\text{)}$

Dimensions (unit: mm) (With pulse sensor with PWM control function)



Reference Dimensions of Mounting Holes and Vent Opening (unit: mm)



Notice

- Please read the "Safety Precautions" on our website before using the product.
- The products shown in this catalog are subject to Japanese Export Control Law. Diversion contrary to the law of exporting country is prohibited.
- For protecting fan bearings against electrolytic corrosion near strong electromagnetic noise sources, we provide effective countermeasures such as Electrolytic Corrosion Proof Fans and EMC guards. Contact us for details.

SANYO DENKI CO.,LTD. 3-33-1 Minami-Otsuka, Toshima-ku, Tokyo 170-8451, Japan TEL: +81 3 5927 1020

<https://www.sanyodenki.com/>

The names of companies and/or their products specified in this catalog are the trade names, and/or trademarks and/or registered trademarks of such respective companies.

"San Ace" is a trademark of SANYO DENKI CO.,LTD.

Specifications are subject to change without notice.

CATALOG No. C1120B002 '21.9