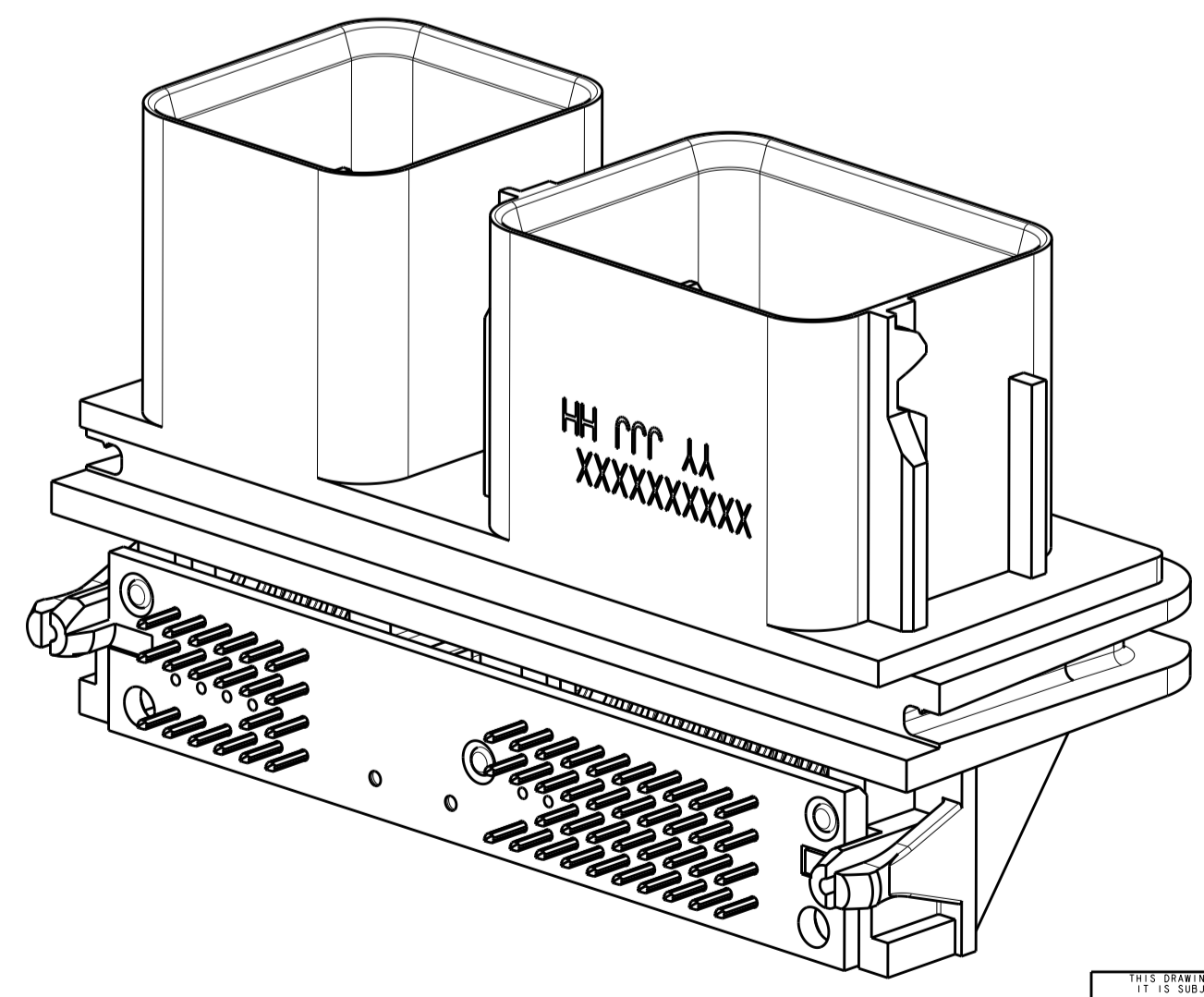
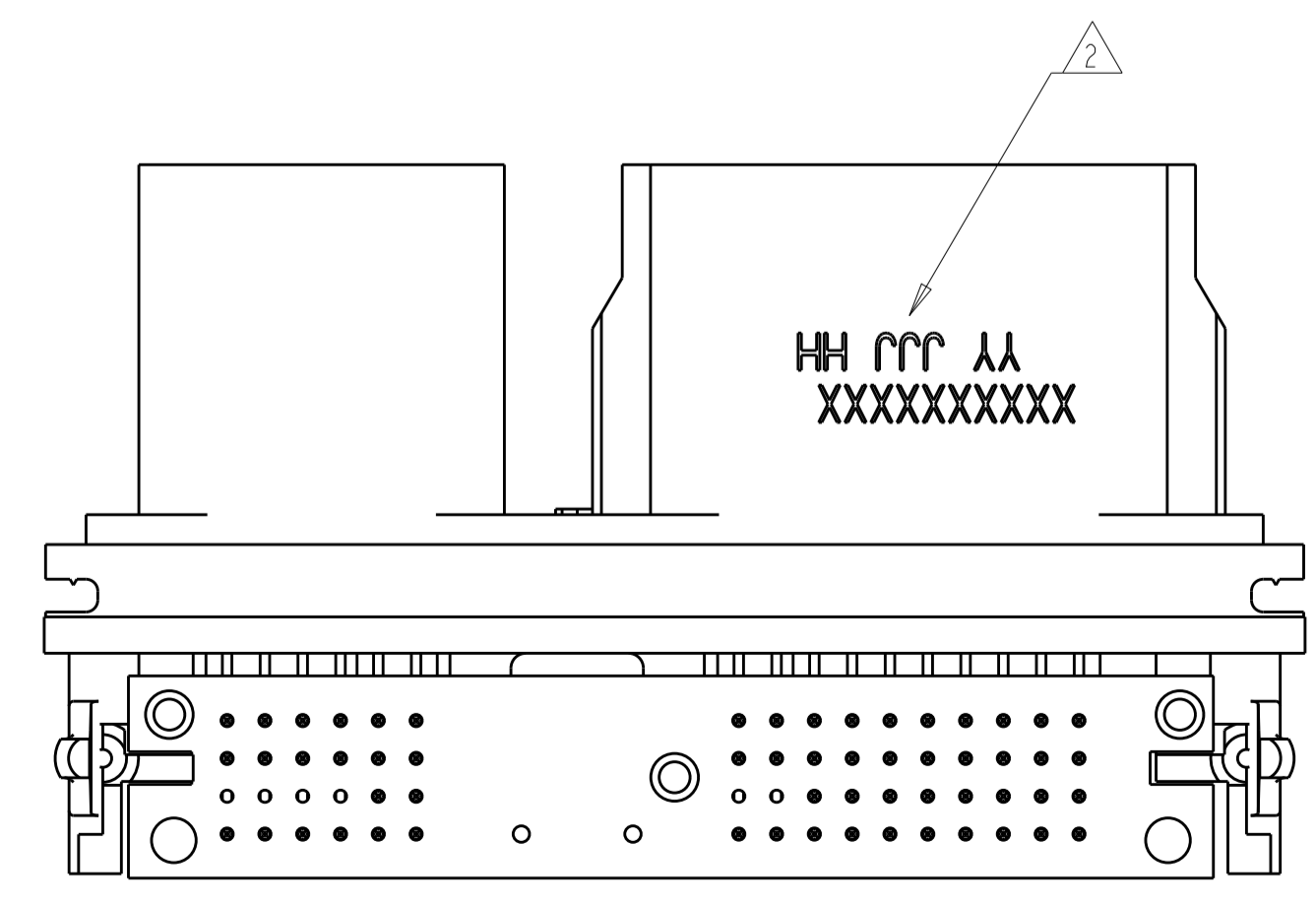
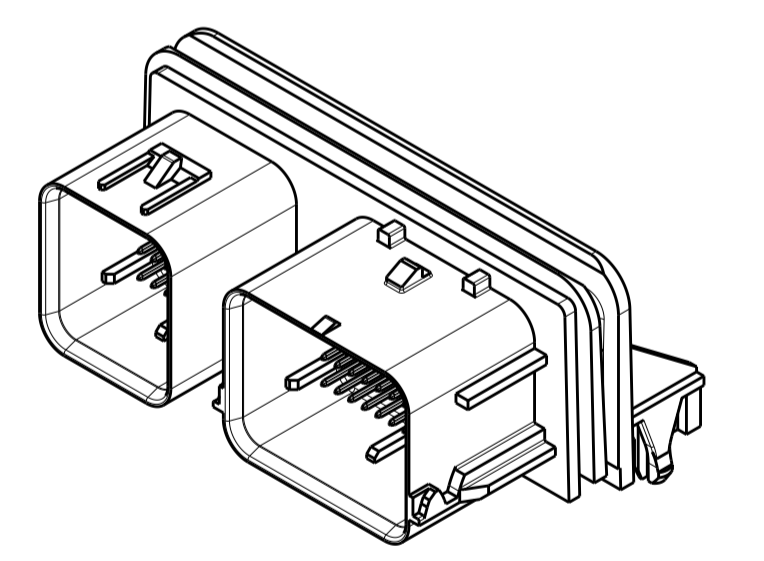
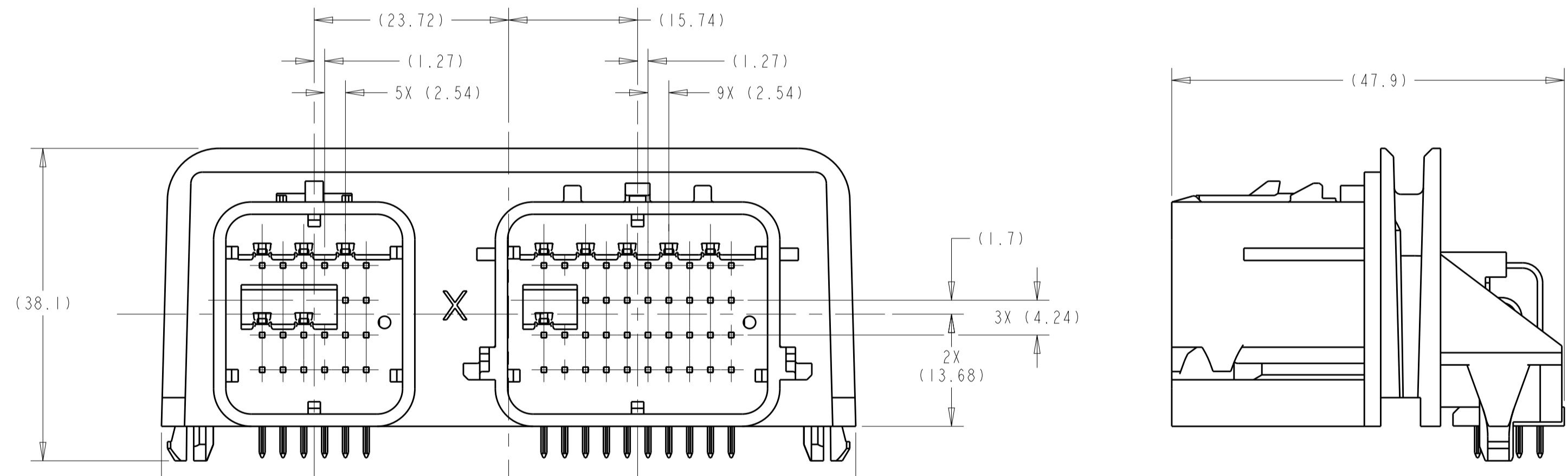
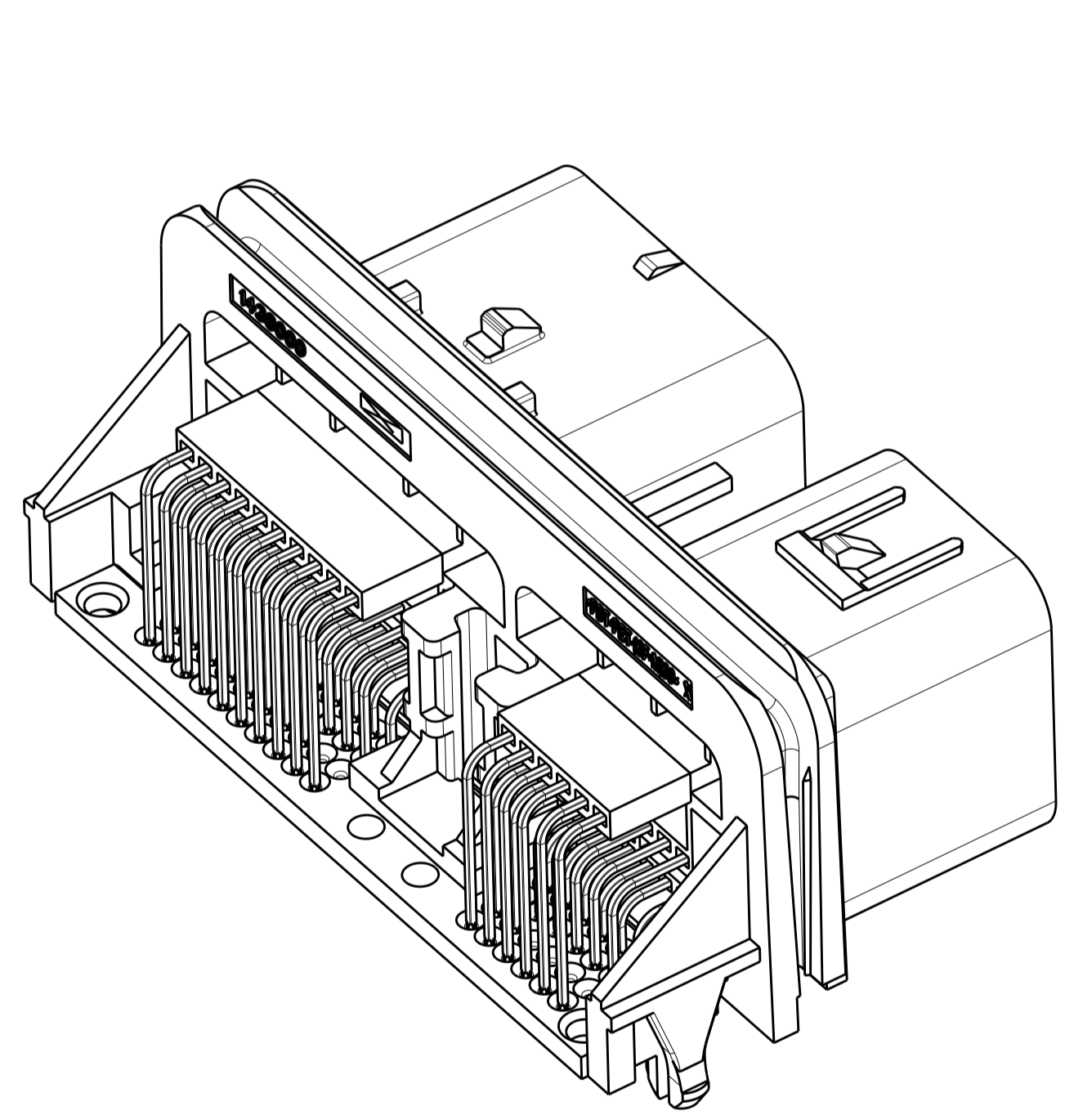
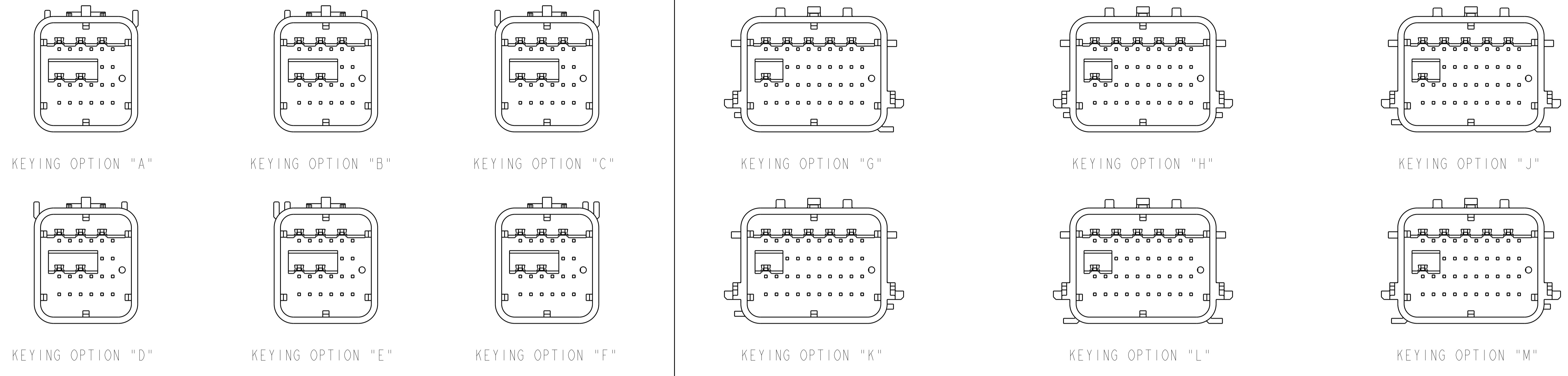


LOC	DIST	REVISIONS					
		P	LTN	DESCRIPTION	DATE	OWN	APVD
FX	00	D		REVISED PER ECO-08-010697	06MAY2008	RGV	WTW
		E		REVISED PER ECO-08-017223	06AUG2008	DLD	WTW
		F		REVISED PER ECO-10-001845	15FEB2010	DLD	WTW
		G		REV PER ECO-20-017332	06JAN2021	RGV	WTW

24 WAY POCKET KEYING OPTIONS

40 WAY POCKET KEYING OPTIONS



ASSEMBLY PART NUMBER									
QUANTITY	ITEM	DESCRIPTION	MATERIAL	COLOR/FINISH					
1438322-6									
1438322-5									
1438322-4									
1438322-3									
2-1419171-1									
8-1419157-9									
16	16	16	16	6	0.64 PLATED CONTACT	SEE NOTE 1	SEE NOTE 1		
16	16	16	16	5	0.64 PLATED CONTACT	SEE NOTE 1	SEE NOTE 1		
10	10	10	10	4	0.64 PLATED CONTACT	SEE NOTE 1	SEE NOTE 1		
16	16	16	16	3	0.64 PLATED CONTACT	SEE NOTE 1	SEE NOTE 1		
1	1	1	1	2	TEMPLATE	>PBT-GF30<	BLACK		
1	1	1	1	1	HEADER WITH KEYING "AH"	>PBT-GF30<	GRAY		
1	1	1	1	1	HEADER WITH KEYING "AG"	>PBT-GF30<	GRAY		
1	1	1	1	1	HEADER WITH KEYING "AH"	>PBT-GF30<	BLACK		
1	1	1	1	1	HEADER WITH KEYING "BH"	>PBT-GF30<	BLACK		
1	1	1	1	1	HEADER WITH KEYING "DG"	>PBT-GF30<	BLACK		
1	1	1	1	1	HEADER WITH KEYING "AG"	>PBT-GF30<	BLACK		

NO KEYING OPTION SHOWN

1. 0.64 CONTACT:
 MATERIAL: CuMg0.1
 CONTACT AREA PLATING: >0.8µm Au OVER
 2 - 3.5µm Ni
 SOLDER TAIL PLATING: 2.5 - 4µm Sn OVER
 2 - 3.5µm Ni PER FORD SPEC.
 ES-F8DB-14A229-AA/BA/CA/DA

2. PRINT TRACEABILITY CODE (YY = TWO DIGIT YEAR, JJJ = JULIAN DAY, HH = TWO DIGIT MILITARY HOUR) AND CUSTOMER NUMBER ON 40 WAY POCKET OPPOSITE THE LATCH.

3. PART ASSEMBLY WEIGHT WITH 58 CONTACT PINS IS 57.30 GRAMS.

THIS DRAWING IS UNPUBLISHED. RELEASED FOR PUBLICATION. IT IS THE PROPERTY OF TYCO ELECTRONICS CORPORATION. NO PART OF THIS DRAWING IS TO BE REPRODUCED OR TRANSMITTED IN ANY FORM OR BY ANY MEANS, ELECTRONIC OR MECHANICAL, INCLUDING PHOTOCOPYING, RECORDING, OR BY ANY INFORMATION STORAGE AND RETRIEVAL SYSTEM, WITHOUT THE WRITTEN PERMISSION OF TYCO ELECTRONICS CORPORATION.

DIMENSIONS: mm

TOLERANCES UNLESS OTHERWISE SPECIFIED:
 0 PLC ±
 1 PLC ±0.3
 2 PLC ±0.10
 3 PLC ±
 4 PLC ±
 ANGLES ±

MATERIAL: SEE CHART ABOVE

FINISH: *

DATE: 19APR2002
 CHK: M. FORLSKA
 APVD: A. VALASEK

NAME: Tyco Electronics
 Harrisburg, PA 17105-3608

PRODUCT SPEC: 64 WAY ARM HEADER ASSEMBLY, CUSTOMER SPEC.

APPLICATION SPEC:

SIZE: CAGE CODE DRAWING NO: 00779 C=8-1419157-9

RESTRICTED TO:

WEIGHT: SEE NOTE 3

CUSTOMER DRAWING

SCALE: 2:1 SHEET 1 OF 1 REV G