



Hexagon Linkage

SKU: 69012 Weight: 60.00 Gram

Hexagon Linkage

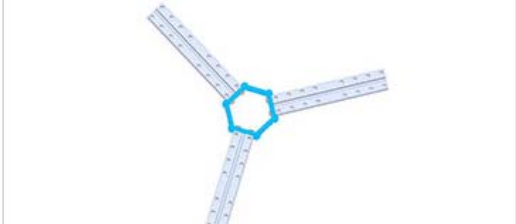
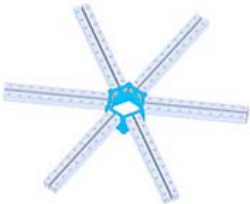
A new part for DIY users. The Hexagon Linkage is a regular hexagon that consists of six surfaces. On each surface there are four M4 holes, so the linkage is totally compatible with other Makeblock parts. Integrate with beam0808 or beam2424, it is a useful part when you want to build structures with diverse angles.

Features

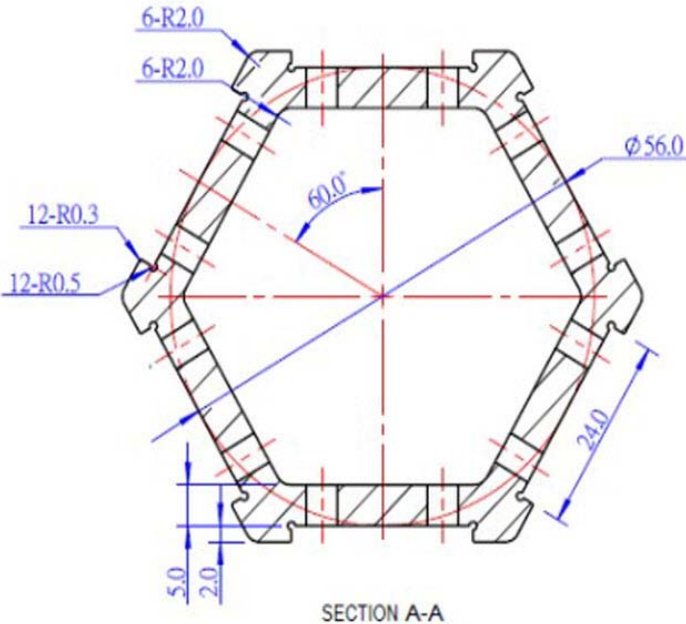
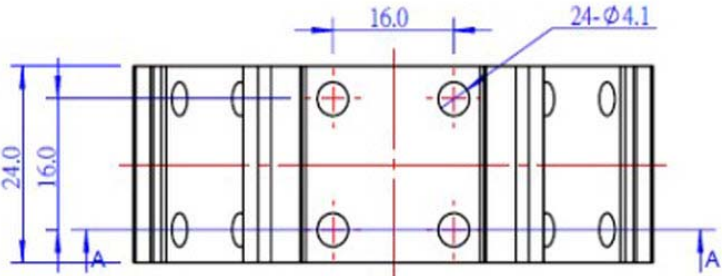
? Material: AL6063 with aluminum extrusion and CNC technology, and anodic oxidation on appearance.

? Light weight, high intensity and good rigidity

DEMO



Size Charts



Specifications

SKU	69012
Product Name	Hexagon Linkage
Package Dimension	110x150x26mm (4.33x5.91x1.02 inch)
Product Dimension	D56x24mm (D2.2x0.94 inch)
Net Weight	59g (2.05oz)
Gross Weight	60g (2.12oz)

