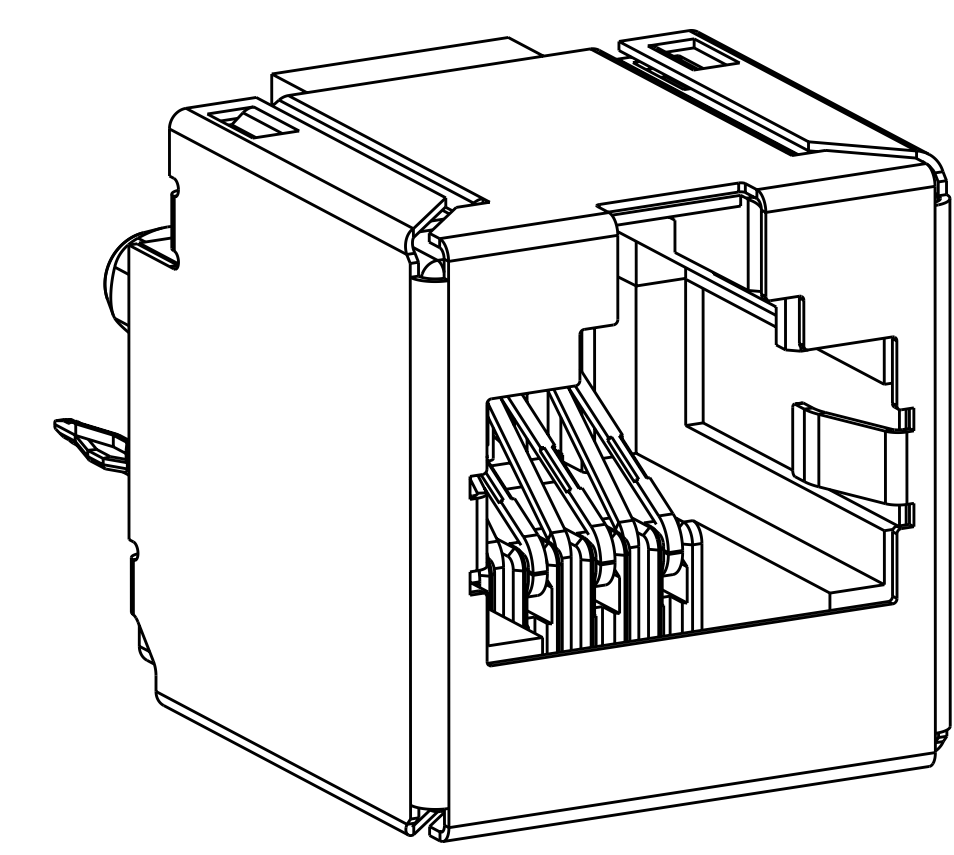
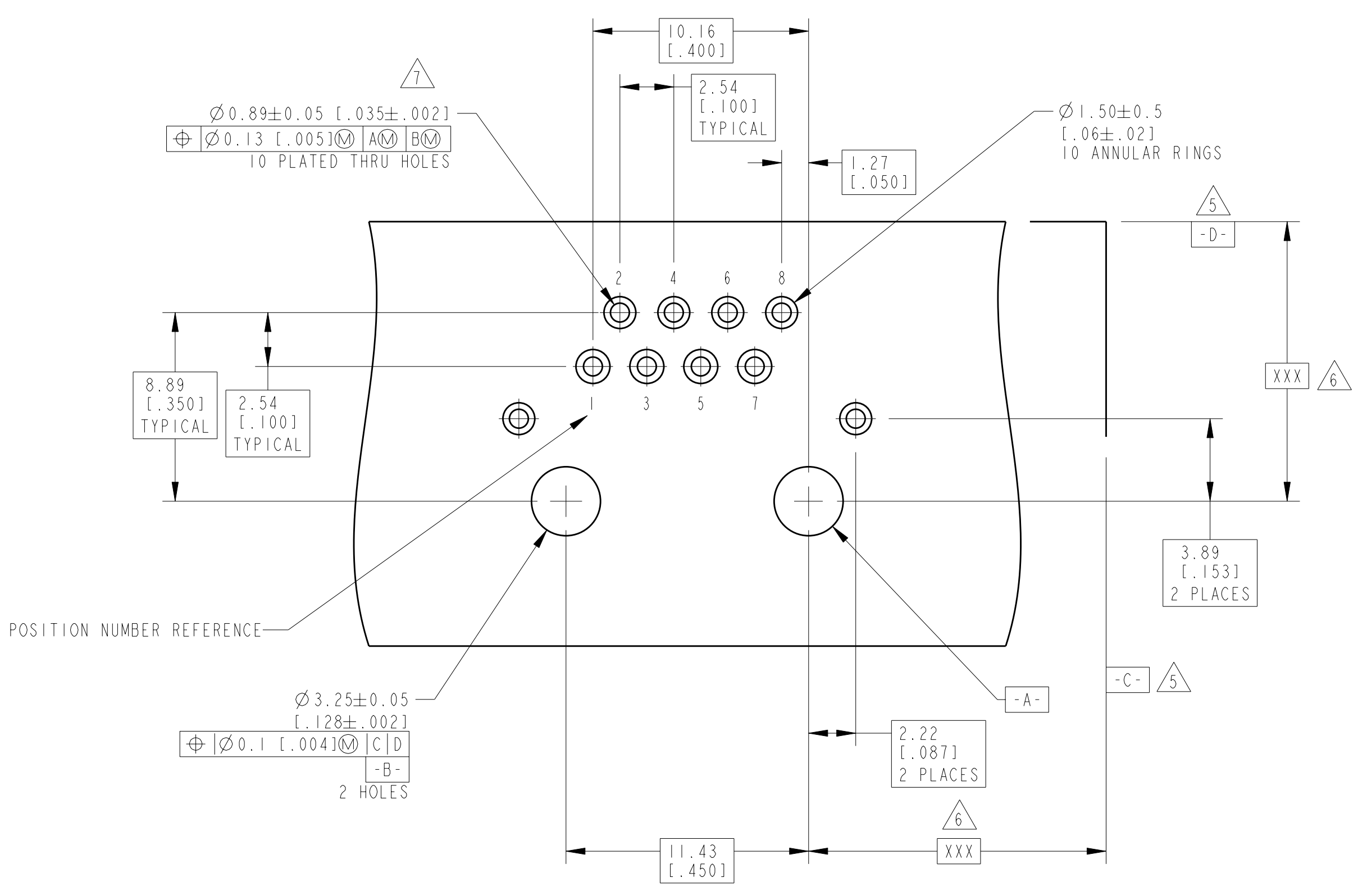
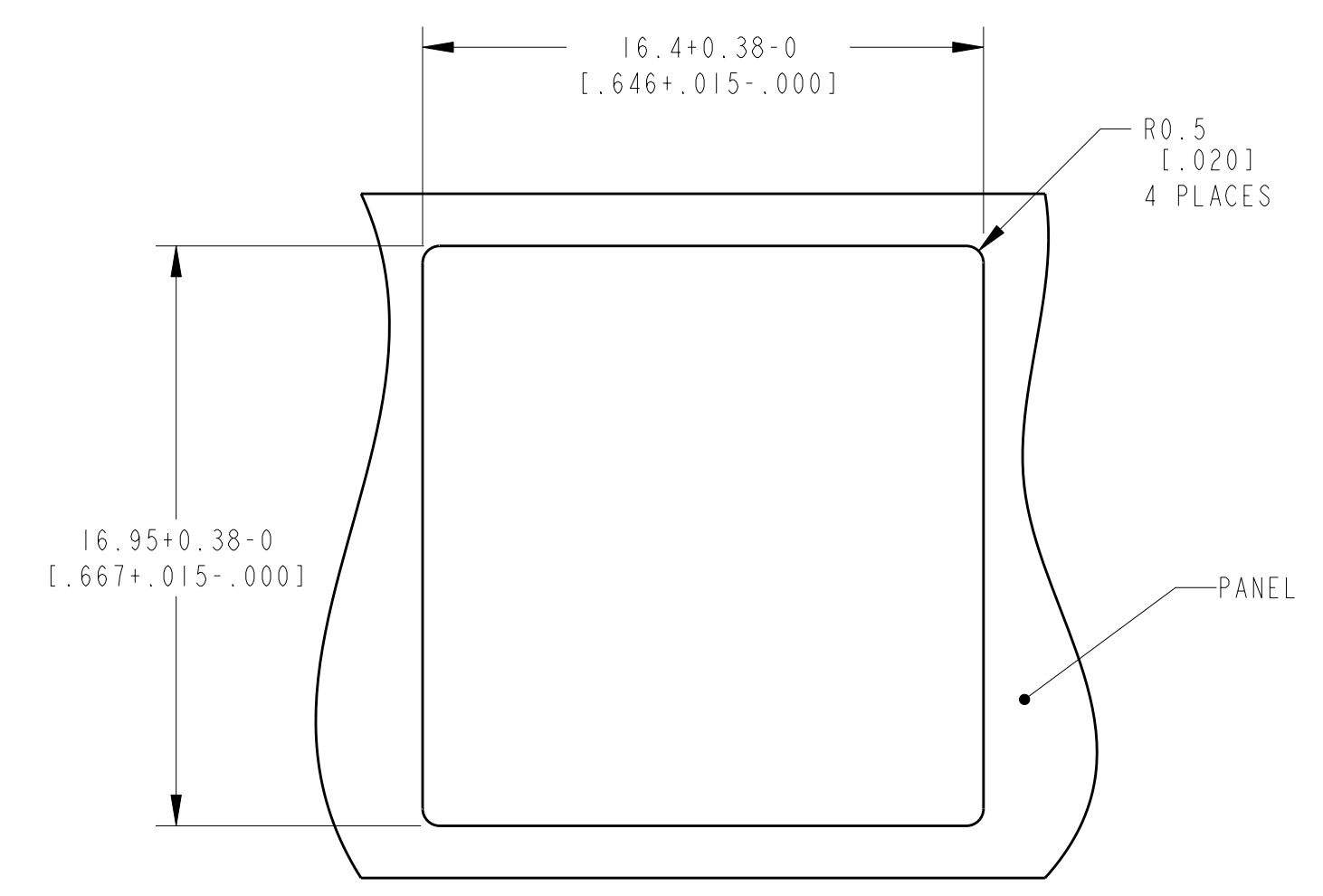
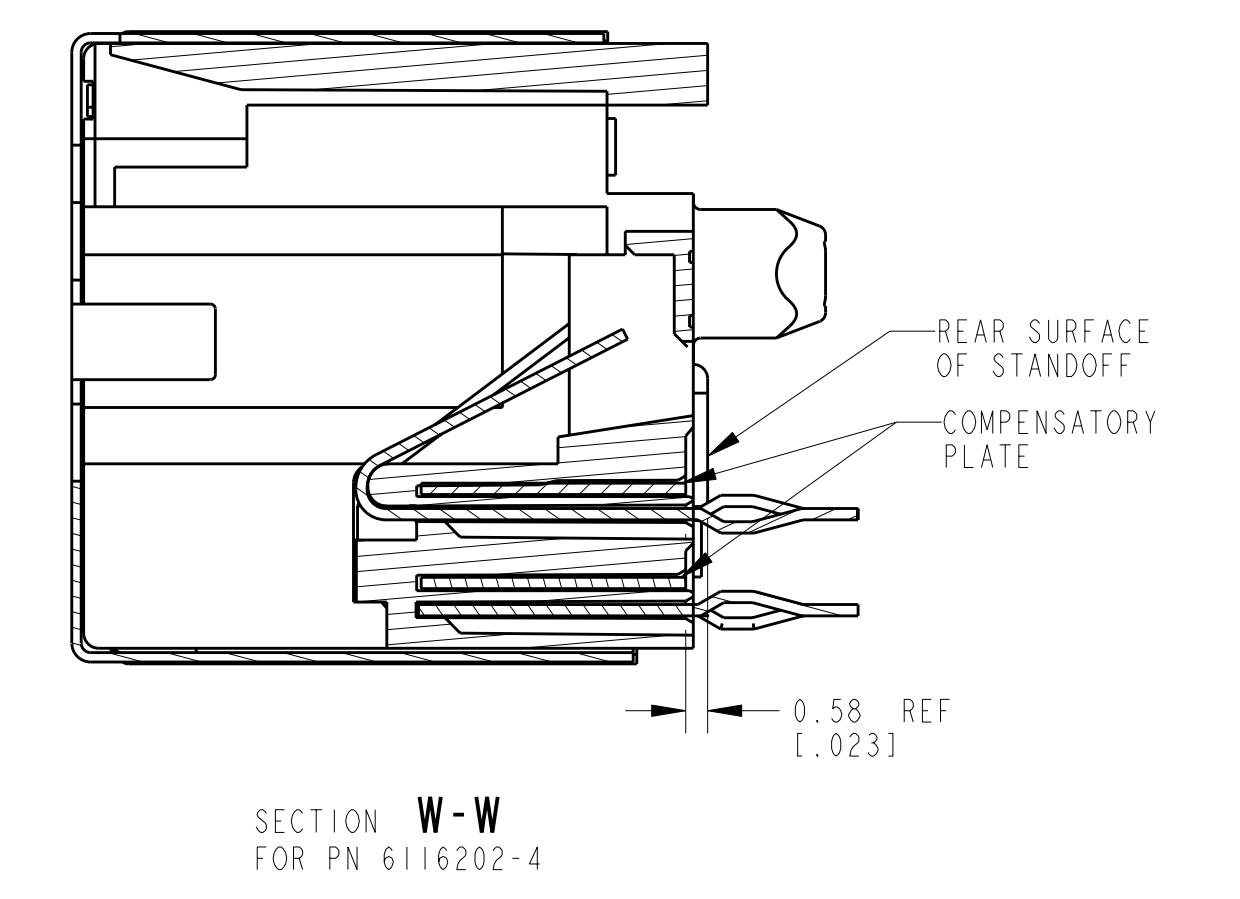
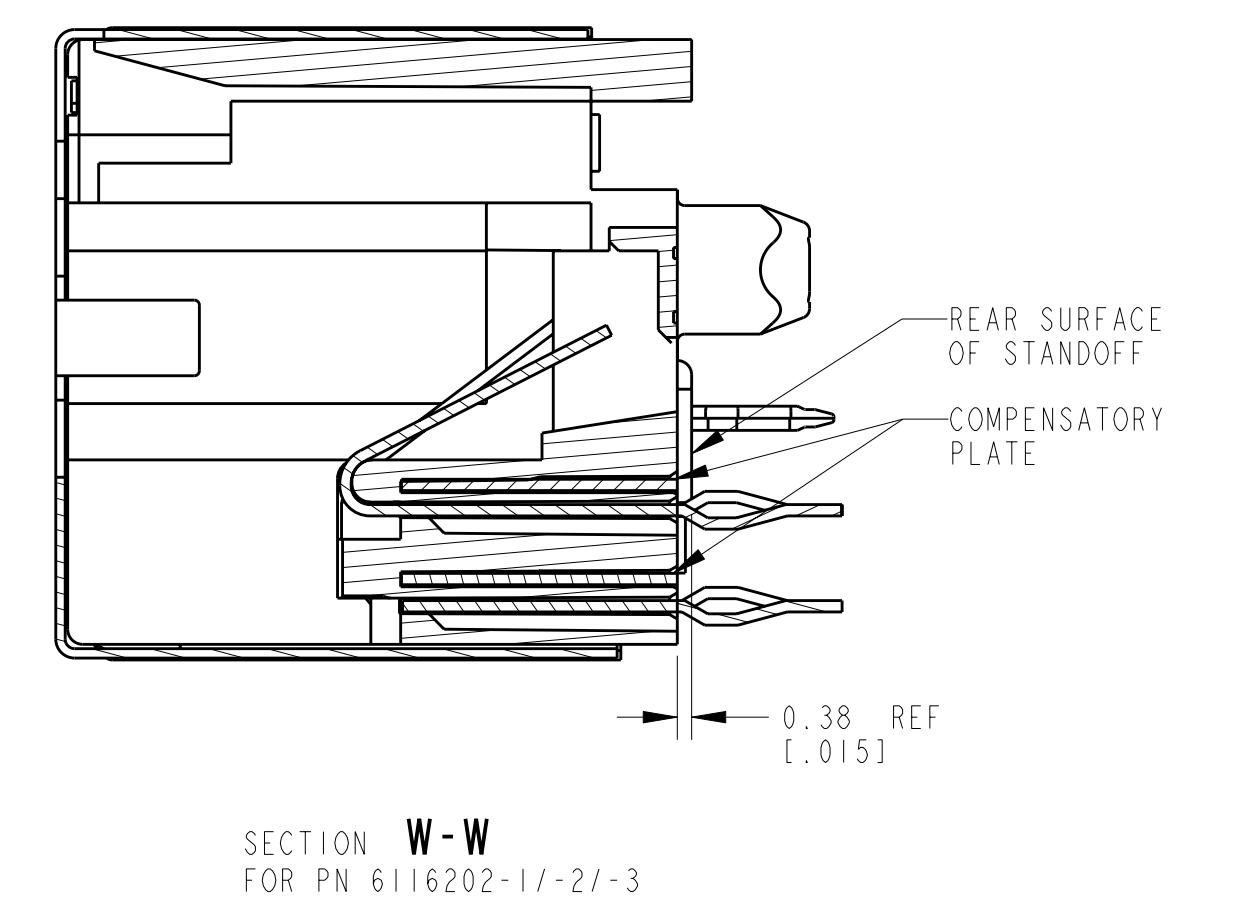
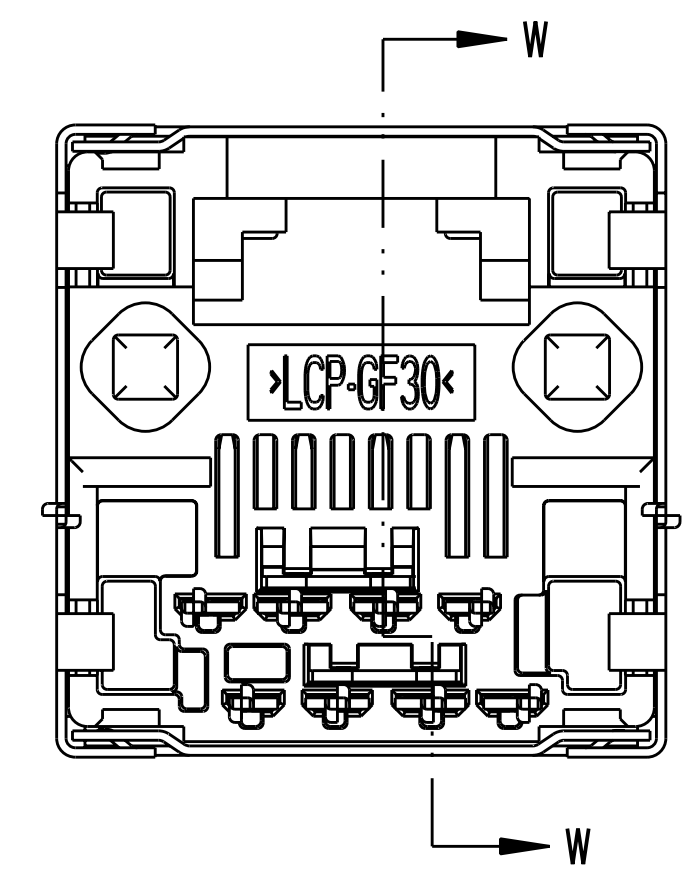
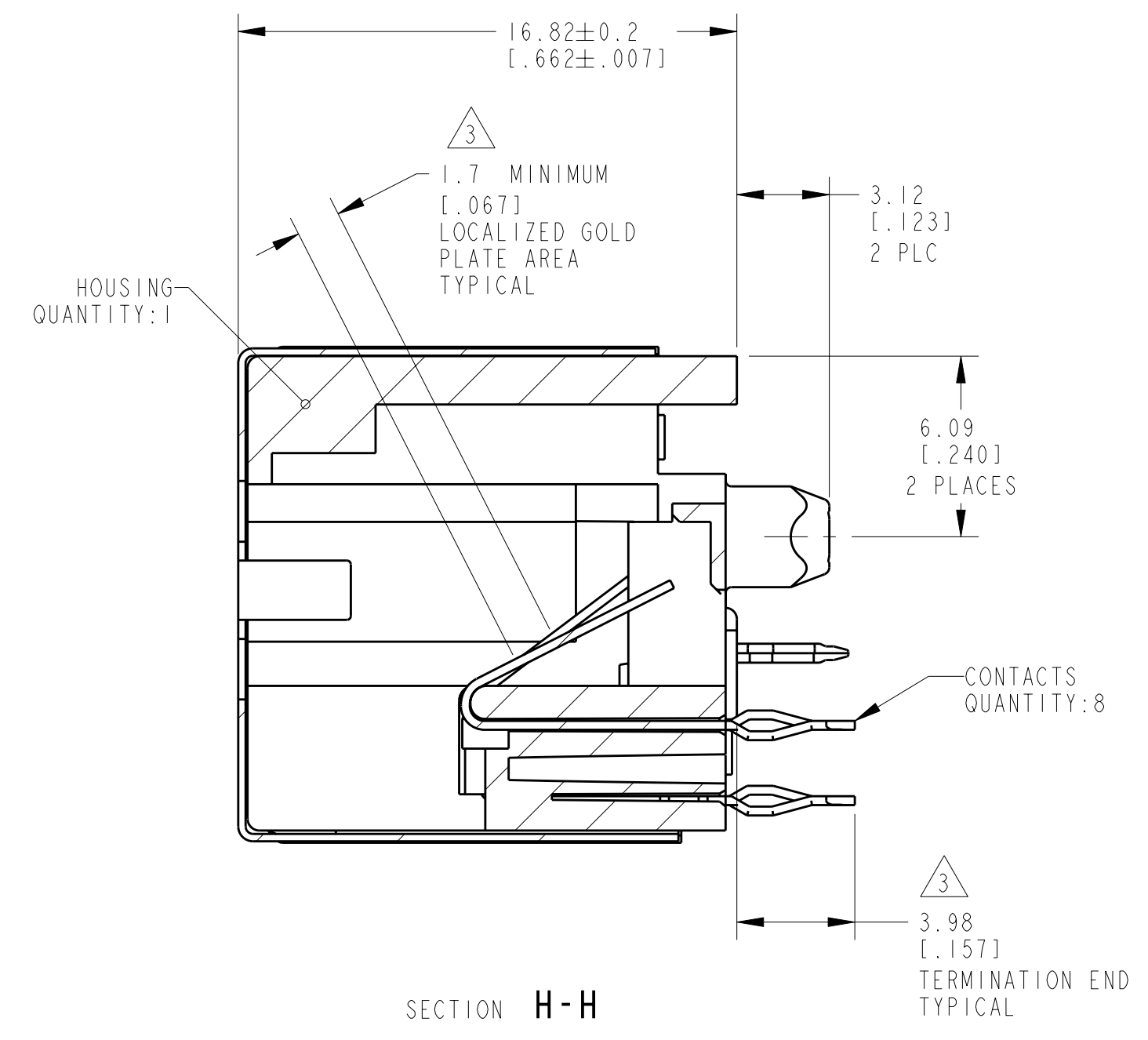
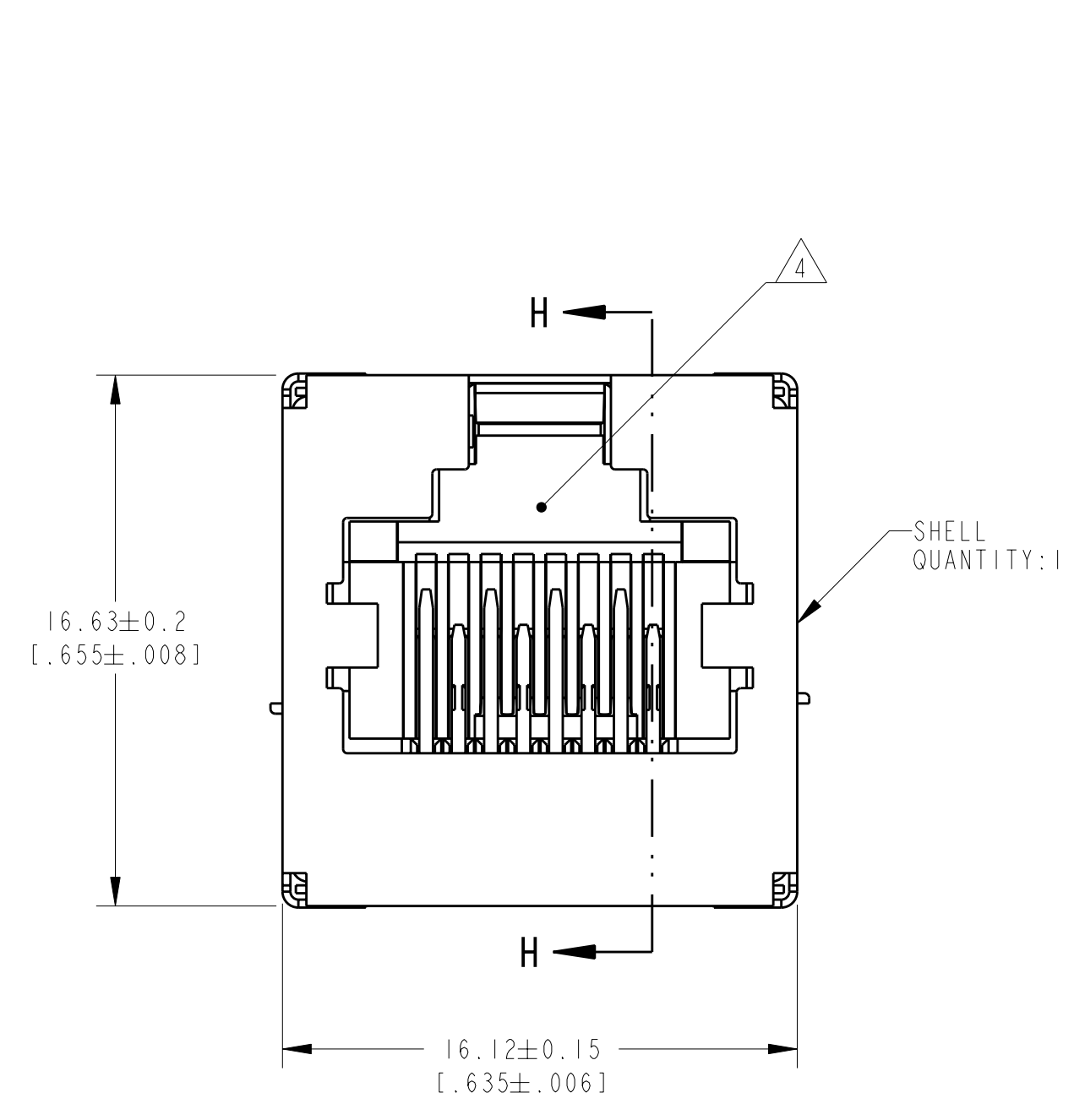


LOC	DIST	REV	DESCRIPTION	DATE	DWN	APVD
AA	22	D3	REVISED PER ECO-11-005033	18MAR2011	RK	HMR
		E	ECO-11-019083	22SEP2011	JJ	MOW



- 1 THERMOPLASTIC.
- 2 PHOSPHOR BRONZE
- 3 1.27 um [.000050] MIN GOLD IN LOCALIZED GOLD PLATE AREA, 2 um [.000079] MIN MATTE TIN ON TERMINATION END, BOTH OVER 1.27 um [.000050] MIN NICKEL.
- 4 CAVITY CONFORMS TO FCC 47 CFR 68 PART F.
- 5 DATUMS ESTABLISHED BY CUSTOMER.
- 6 DIMENSIONS ESTABLISHED BY CUSTOMER.
- 7 DRILLED HOLE DIAMETER 1.02±0.03 [.040±.001]. COPPER THK 0.03-0.08 [.001-.003]. TIN THICKNESS 8 um [.000315] MIN.
- 8 COPPER ZINC ALLOY
- 9 2.03 um [.000080] MIN BRIGHT TIN OVER 1.27 um [.000050] MIN NICKEL
- 10 PC BOARDS GREATER THAN 1.57 [.062] IN THICKNESS MAY REQUIRE SPECIAL EXTRACTION TOOLING, CONSULT ENGINEERING.
- 11 PACKAGED 29 PIECES PER TUBE
- 12 PACKAGED 27 PIECES PER TUBE
- 13 WITH IMPROVED CHAMFERS ON TERMINAL EDGES.
- 14 WITHOUT COMPENSATORY PLATE

REV	DESCRIPTION	PART NUMBER
1	NATURAL	6116202-6
2	NATURAL	6116202-5
3	BLACK	6116202-4
4	NATURAL	6116202-3
5	NATURAL	6116202-2
6	BLACK	6116202-1
PACKAGING		COLOR
		PART NUMBER

RECOMMENDED PRINTED CIRCUIT BOARD LAYOUT  
 RECOMMENDED PRINTED CIRCUIT BOARD THICKNESS 1.41 [.055] MIN  
 COMPONENT SIDE OF PRINTED CIRCUIT BOARD

THIS DRAWING IS A CONTROLLED DOCUMENT.

DIMENSIONS: mm [INCHES]	TOLERANCES UNLESS OTHERWISE SPECIFIED:	DWN: A. MAYER 20APR2005	CHK: J. WESTMAN 20APR2005	APVD: S. FLICKINGER 20APR2005
9 PLC ±.3 [0.123]	5 PLC ±0.13 [0.005]	4 PLC ±.1 [0.0039]	ANGLES ±.1 [0.0039]	
MATERIAL	FINISH	WEIGHT	CUSTOMER DRAWING	

NAME: MODULAR JACK ASSEMBLY, VERTICAL, COMPLIANT PIN, SHIELDED, 8 POSITION, CATEGORY 5  
 PRODUCT SPEC: 108-1163-6  
 APPLICATION SPEC: 114-2158  
 SCALE: 5:1 SHEET 1 OF 1 REV E