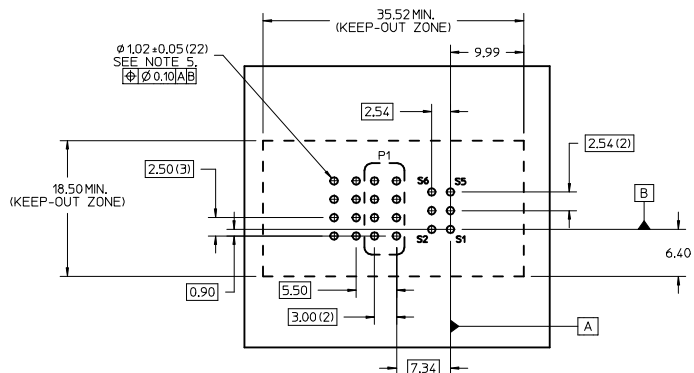
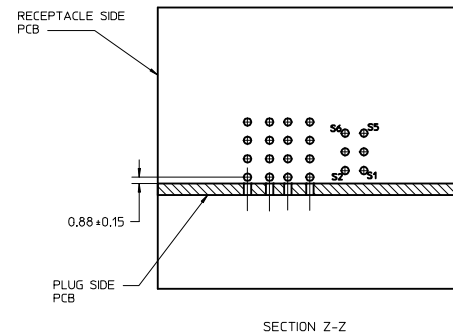
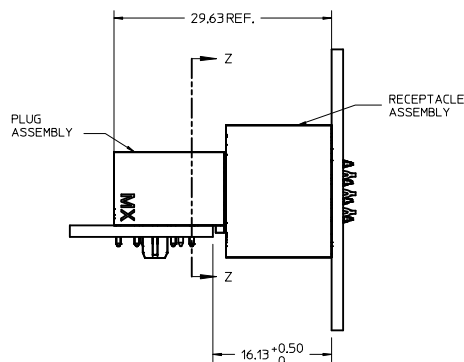
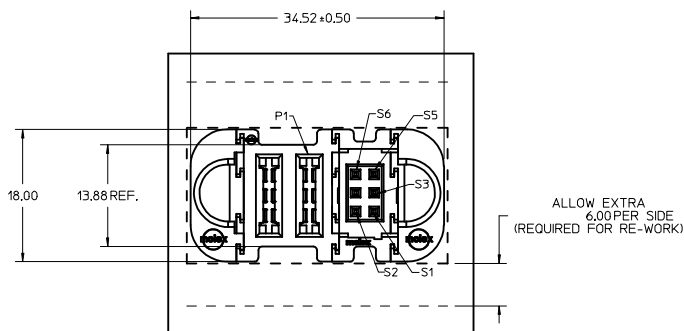


P/N: 46562-1093

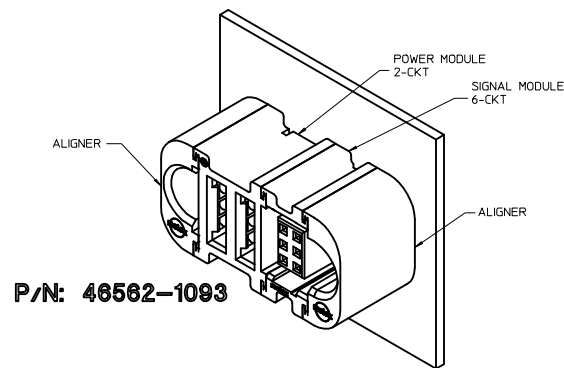
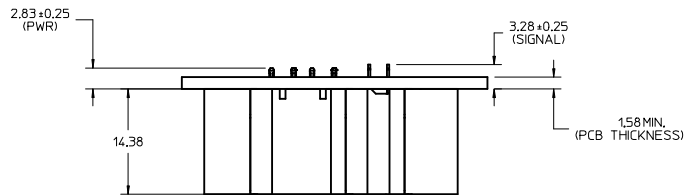


RECOMMENDED PCB LAYOUT AND KEEP-OUT ZONE

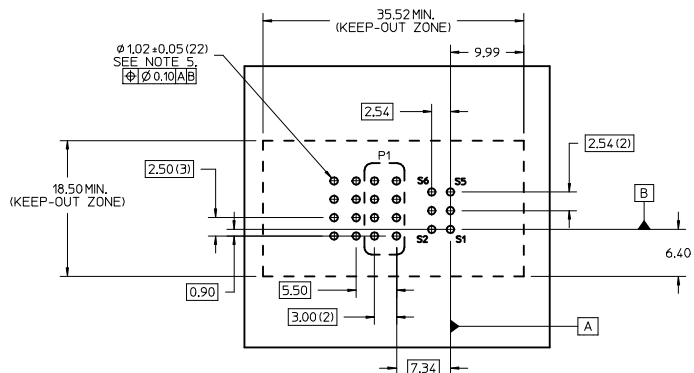
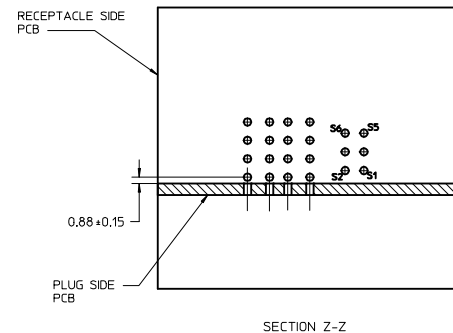
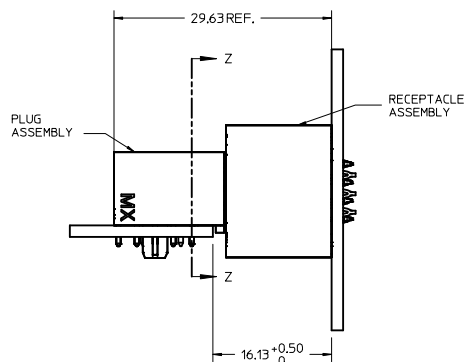
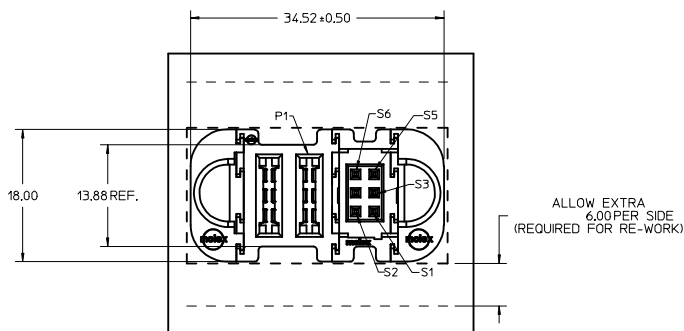
NOTES:

- MATERIAL:
  - HOUSINGS: LCP UL-94, V-0, COLOR: BLACK
  - TERMINALS: COPPER ALLOY
  - PLATING: .00127 NICKEL OVERALL WITH 0.00254 MATTE TIN ON COMPLIANT TAILS AND 0.000762 SELECTIVE GOLD ON CONTACT AREA.
- PACKAGING: ASSEMBLIES TO BE TRAY PACKED, QTY TBD.
- PRODUCT SPEC: PS-46436-100.
- APPLICATION SPEC: AS-46436-100.
- PC BOARD REQUIRES SOLDER THRU HOLES, REFER TO PS-46436-100 FOR DETAILS.
- SEE PRODUCT SPEC FOR RoHS REQUIREMENTS.
- ASSEMBLY MATES TO MOLEX R/A PLUG ASSEMBLY P/N: 46437-1093.

NOTE 1: IEC NO: UICP2010-0885 DRAWN BY: BKOSTIC 2009/10/06 CHECKED BY: CHYKOROSTIC 2009/12/14 APPR: APATEL 2009/12/14 REV: 2	QUALITY SYMBOLS	GENERAL TOLERANCES (UNLESS SPECIFIED)	DIMENSION STYLE	SCALE	DESIGN UNITS	THIRD ANGLE PROJECTION
		mm INCH 4 PLACES ± --- ± --- 3 PLACES ± --- ± .010 2 PLACES ± 0.25 ± .010 1 PLACE ± 0.25 ± --- ANGULAR ±1/2°	MM ONLY	3:1	METRIC	
	DRAFT WHERE APPLICABLE MUST REMAIN WITHIN DIMENSIONS		MATERIAL NO. 46562-1093			
			MOLEX INCORPORATED MOLEX INCORPORATED			
			DOCUMENT NO. SD-46562-1093			
			SHEET NO. 1 OF 1			



P/N: 46562-1093



RECOMMENDED PCB LAYOUT AND KEEP-OUT ZONE

NOTES:

- MATERIAL:
  - HOUSINGS: LCP UL-94, V-0, COLOR: BLACK
  - TERMINALS: COPPER ALLOY
  - PLATING: .00127 NICKEL OVERALL WITH 0.00254 MATTE TIN ON COMPLIANT TAILS AND 0.000762 SELECTIVE GOLD ON CONTACT AREA.
- PACKAGING: ASSEMBLIES TO BE TRAY PACKED, QTY TBD.
- PRODUCT SPEC: PS-46436-100.
- APPLICATION SPEC: AS-46436-100.
- PC BOARD REQUIRES SOLDER THRU HOLES, REFER TO PS-46436-100 FOR DETAILS.
- SEE PRODUCT SPEC FOR RoHS REQUIREMENTS.
- ASSEMBLY MATES TO MOLEX R/A PLUG ASSEMBLY P/N: 46437-1093.

NOTE 1: IEC NO: UICP2010-0885 2009/10/06 DRAWN BY: BKOSTIC 2009/12/14 CHKD BY: BKOSTIC 2009/12/14 APPR: APATEL 2009/12/14 REV: 2	QUALITY SYMBOLS	GENERAL TOLERANCES (UNLESS SPECIFIED)	DIMENSION STYLE MM ONLY	SCALE 3:1	DESIGN UNITS METRIC	THIRD ANGLE PROJECTION
		4 PLACES ± --- ± --- 3 PLACES ± --- ± .010 2 PLACES ± 0.25 ± .010 1 PLACE ± 0.25 ± --- ANGULAR ±1/2°	DRAWN BY: BKOSTIC DATE: 2009/10/06 CHECKED BY: BKOSTIC DATE: 2009/10/06 APPROVED BY: DATE:	TITLE: VERTICAL RECEPTACLE ASSY 6S-2P, PRESS-FIT TEN60 POWER FAMILY MATERIAL NO: 46562-1093 DOCUMENT NO: SD-46562-1093 SHEET NO: 1 OF 1		
DRAFT WHERE APPLICABLE MUST REMAIN WITHIN DIMENSIONS		THIS DRAWING CONTAINS INFORMATION THAT IS PROPRIETARY TO MOLEX INCORPORATED AND SHOULD NOT BE USED WITHOUT WRITTEN PERMISSION				