



Product Change Notification

TE Connectivity

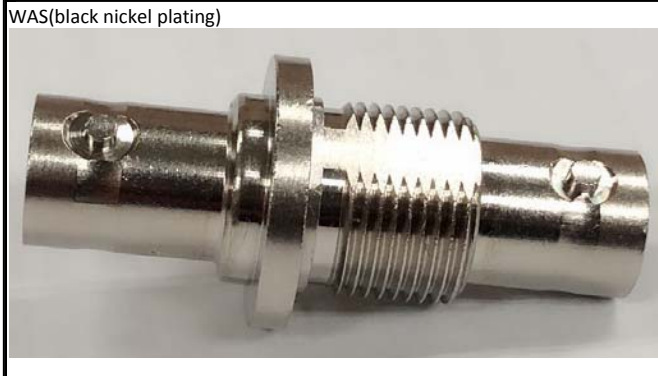
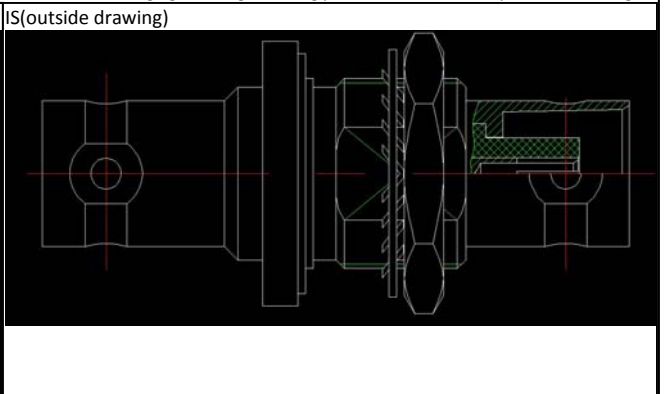
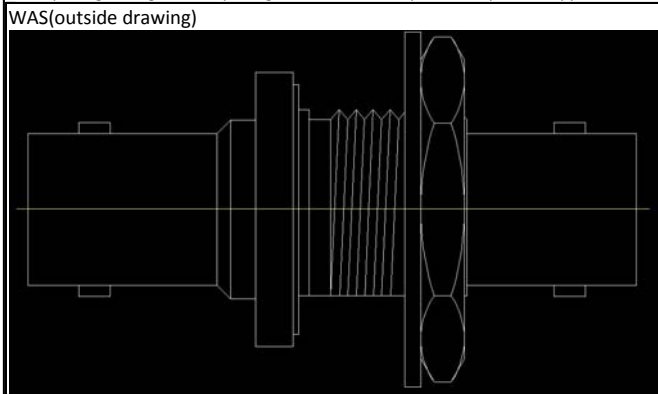
Product Change Notification: P-19-017271

PCN Date: 24-APR-19

TE would like to inform you of the following change(s) to the listed TE Connectivity Product. In case of any further questions about this change(s), please contact your TE Connectivity Sales Engineer. Affected part, drawing and/or specification numbers are listed on the attached sheet(s).

General Product Description:
RF CONNECTOR

Description of Changes
1.Document clarification and align drawing with actual product. See attached comparison of outside drawing before and after changing. 2.Change NI plating of SHELL from black nickel plating to bright nickel plating.See attached comparison of product appearance before and after changing. 3.Change marking process from steel stamp to laser marking.



Other attachments:
[WAS\(customer drawing before changing\)](#)
[IS\(customer drawing after changing\)](#)

Reason for Changes:
Product improvement.1.Document clarification and align drawing with actual product. 2.Unify TE NI plating spec. 3.Improve the marking process of the product.

Estimated Dates:

Last Order Date (Obsolete Parts Only):	First Date To Ship (Changed Parts Only):
	26-JUL-2019
Last Ship Date (Obsolete Parts Only):	Last Date for Mixed Shipments: (Changed Parts Only):
	No Mixed Shipments

Part Number(s) being Modified:

Part Number	Part Discontinued per PCN	Customer Drawing	Customer Part Number	Alias Part Number(s)	Substitute Part Number	Substitute Alias Part Number(s)	Description Of Difference
330024	NO						

The documents listed below are being modified. Related parts that are not explicitly listed on this PCN are not being modified or discontinued as per the PCN. The Last Order Date, Last Ship Date, First Date to Ship Changed Parts and last date for Mixed Shipments apply only to parts explicitly listed on this PCN.

Customer Drawing(s) Being Modified:

Drawing Number	Related Part Number	Customer Part Number	Current Revision	New Revision
330024	330024		K1	

Part Number(s) being Modified:

Part Number	Part Discontinued per PCN	Customer Drawing	Customer Part Number	Alias Part Number(s)	Substitute Part Number	Substitute Alias Part Number(s)	Description Of Difference
330024	NO						

Part Number(s) being Modified:

Part Number	Part Discontinued per PCN	Customer Drawing	Customer Part Number	Alias Part Number(s)	Substitute Part Number	Substitute Alias Part Number(s)	Description Of Difference
330024	NO						

The documents listed below are being modified. Related parts that are not explicitly listed on this PCN are not being modified or discontinued as per the PCN. The Last Order Date, Last Ship Date, First Date to Ship Changed Parts and last date for Mixed Shipments apply only to parts explicitly listed on this PCN.

Customer Drawing(s) Being Modified:

Drawing Number	Related Part Number	Customer Part Number	Current Revision	New Revision
330024	330024		K1	