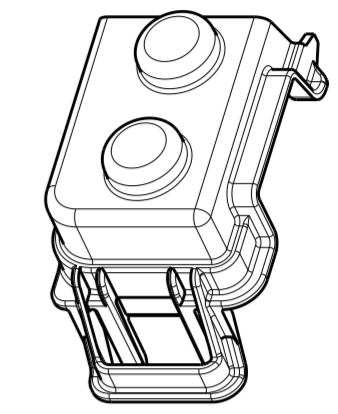
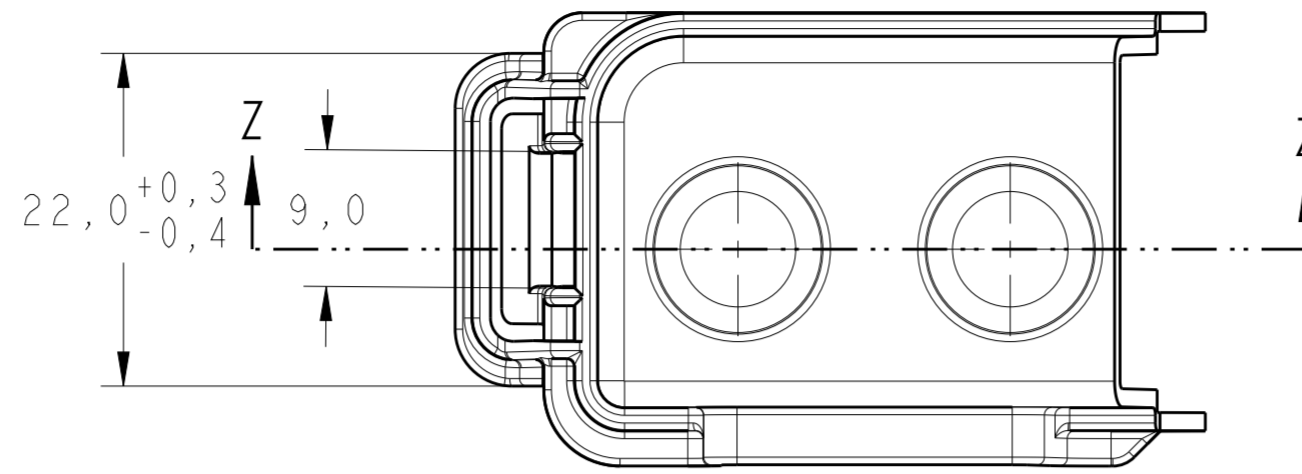


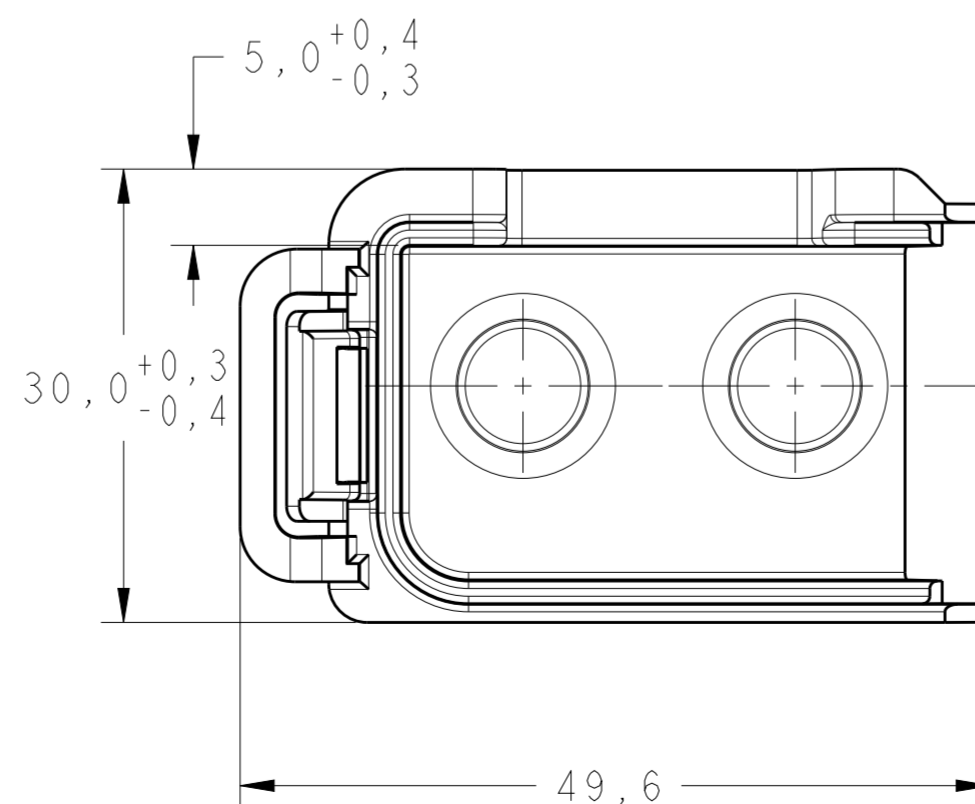
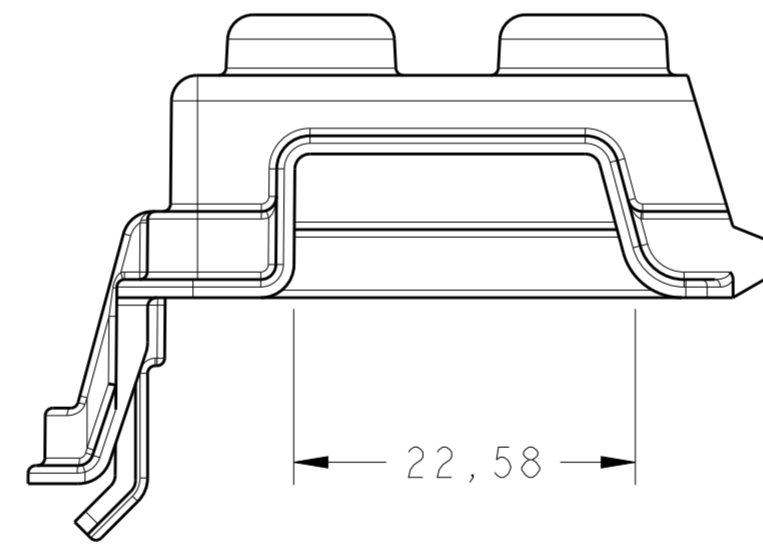
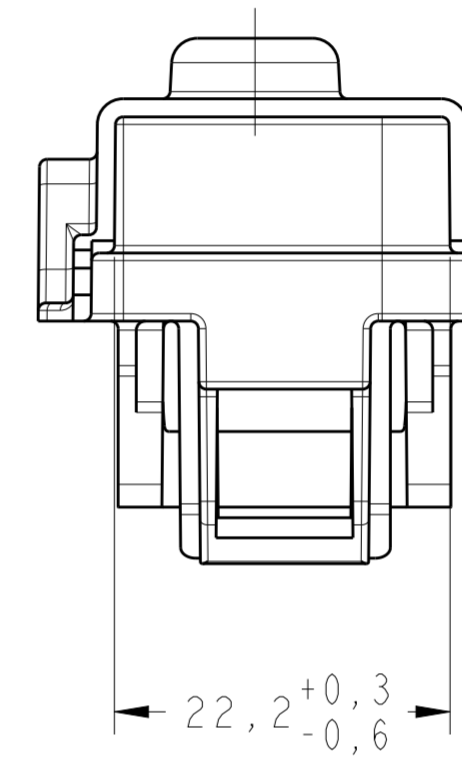
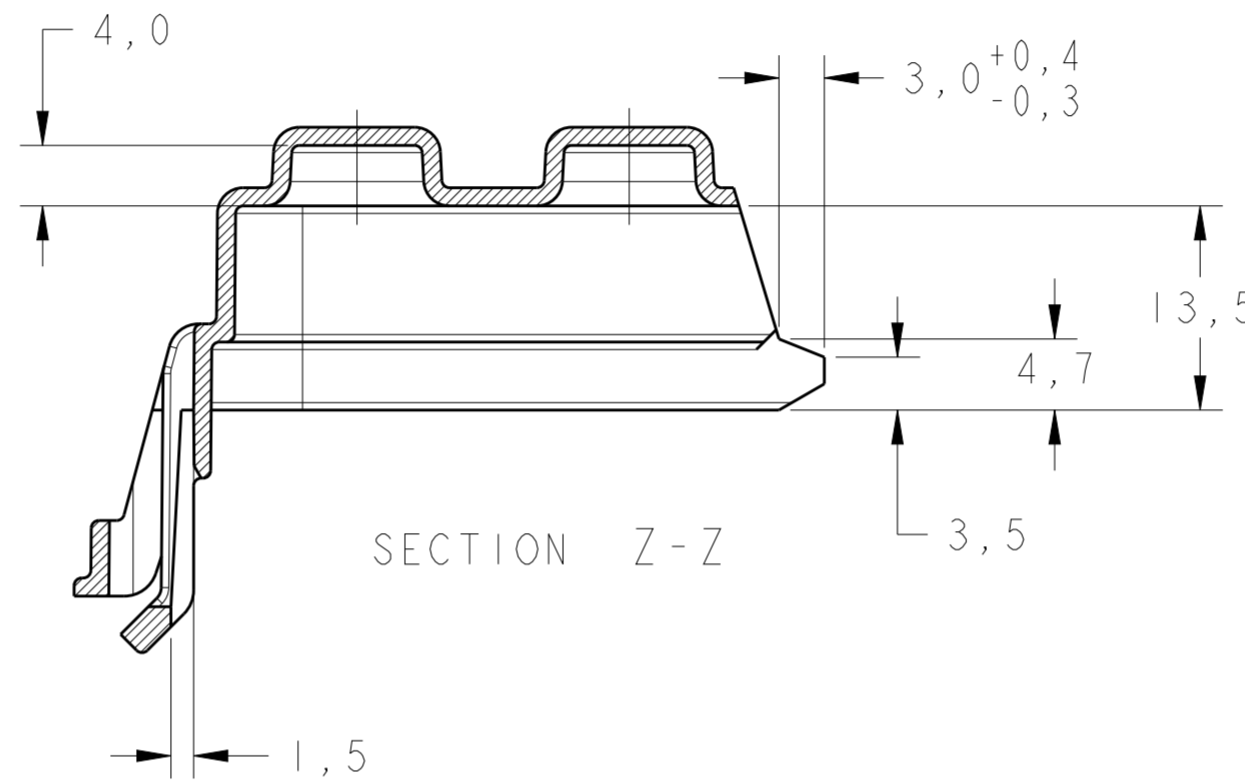
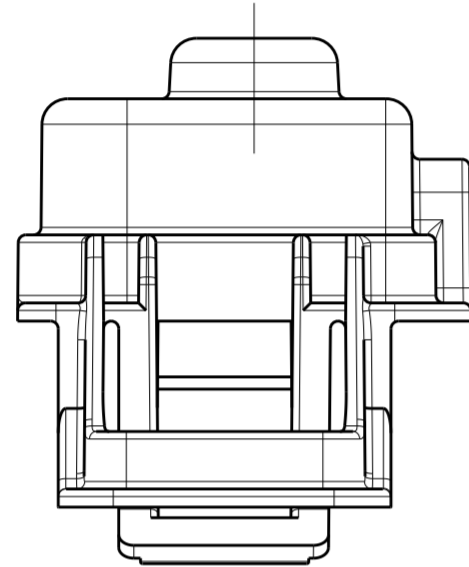
THIS DRAWING IS UNPUBLISHED. RELEASED FOR PUBLICATION 20
 © COPYRIGHT 20 BY TYCO ELECTRONICS CORPORATION. ALL RIGHTS RESERVED.

LOC	DIST	REVISIONS					
AP	-	P	LTR	DESCRIPTION	DATE	DWN	APVD
		A		REVISED BY RSA20177-01	16JUN2020	PSB	DAO

CAD
Pro-E
WILDFIRE 2.0
DO NOT REVISE
EXCEPT BY CAD



PERSPECTIVE VIEW
SCALE 1:1



GRAVAÇÕES MARKINGS
CÓDIGO PAÍS PRODUTOR MANUFACTURER COUNTRY CODE
NOMENCLATURA MATERIAL MATERIAL NOMENCLATURE
LOGOTIPO CLIENTE CUSTOMER LOGO
PAÍS PRODUTOR MANUFACTURER COUNTRY
DATADOR DATE CODE
REV+ LETRA REV.DA PEÇA REV.+ PART REV.LETTER

THIS DRAWING IS A CONTROLLED DOCUMENT FOR TYCO ELECTRONICS CORPORATION IT IS SUBJECT TO CHANGE AND THE CONTROLLING ENGINEERING ORGANIZATION SHOULD BE CONTACTED FOR THE LATEST REVISION.	
DIMENSIONS: mm	TOLERANCES UNLESS OTHERWISE SPECIFIED:
0 PLC ±	1 PLC ±0,3
2 PLC ±	3 PLC ±
4 PLC ±	ANGLES ±1°
FINISH	SEE TABLE
MATERIAL	SEE TABLE

PRETO / BLACK	PBT+10%GF/FV	1989306 -1
FINISH	MATERIAL	PART NUMBER
DWN NCLAPRESA 06DEC2007	TYCO ELECTRONICS Brasil LTDA. Sao Paulo, Brasil	
CHK PLEARLA 06DEC2006	-	
APVD NSANTOS 06DEC2007	COVER EYELET	
PRODUCT SPEC	NAME	RESTRICTED TO
APPLICATION SPEC	SIZE	CAGE CODE
NA	A200779	C-1989306
WEIGHT	SCALE	SHEET OF
CUSTOMER DRAWING		REV A