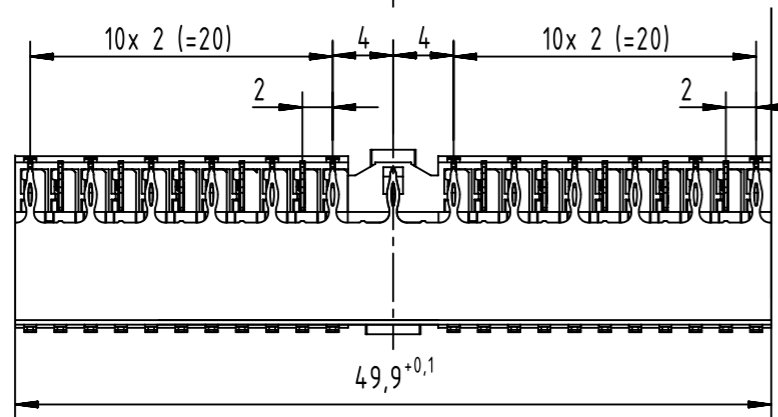
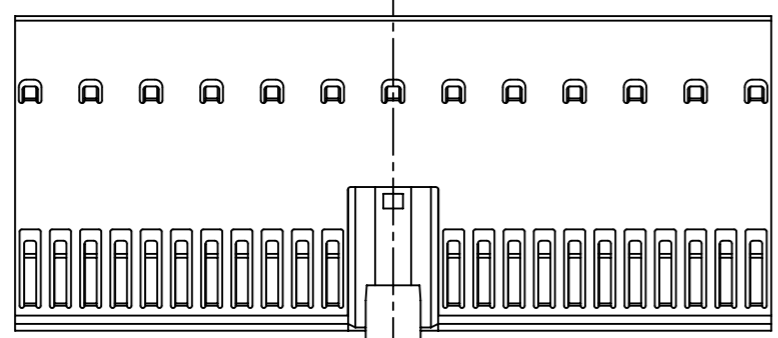
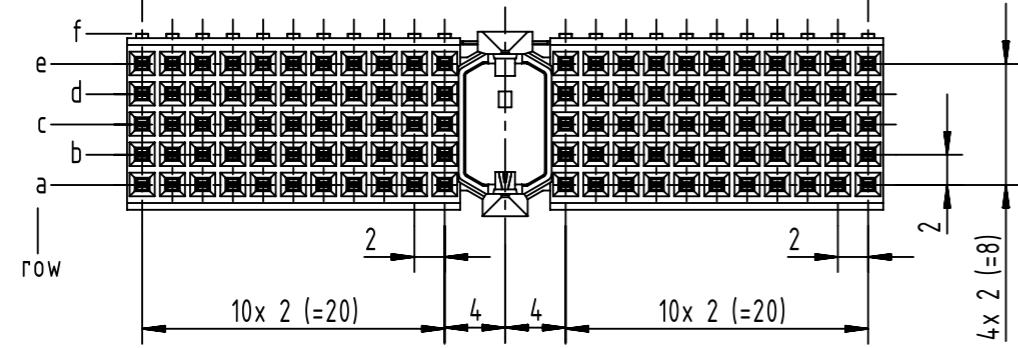
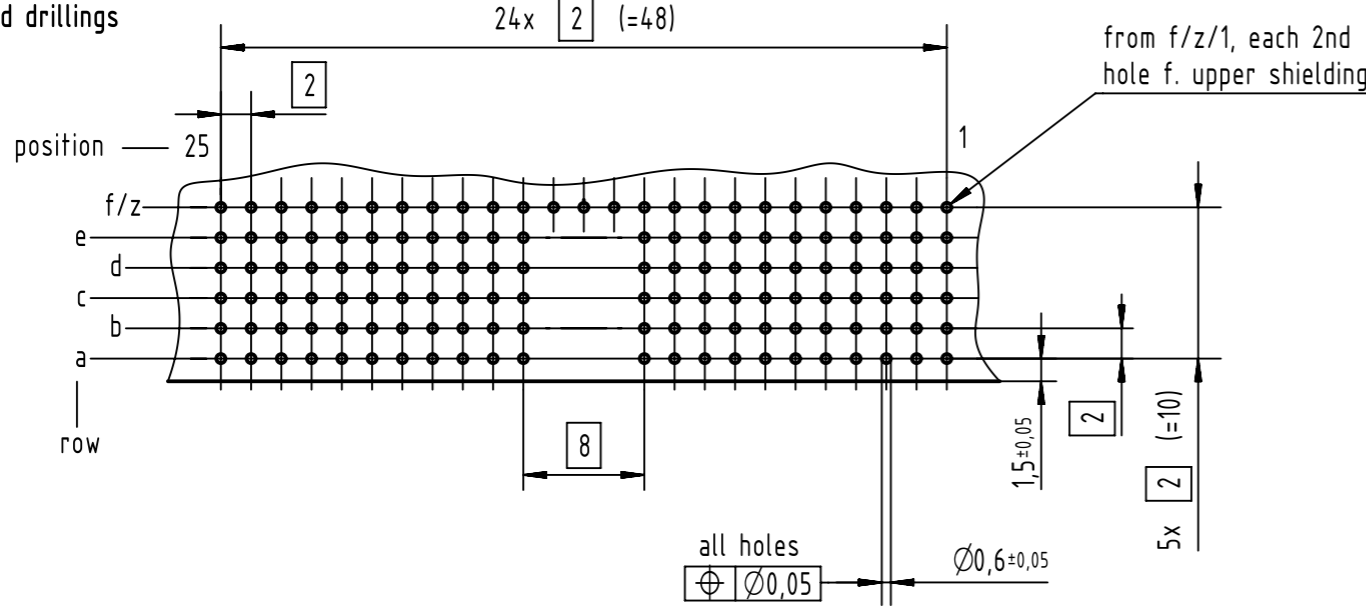


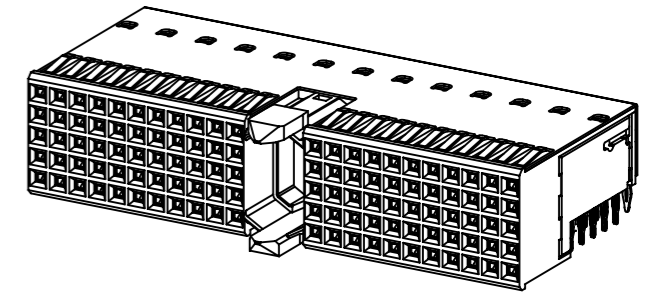
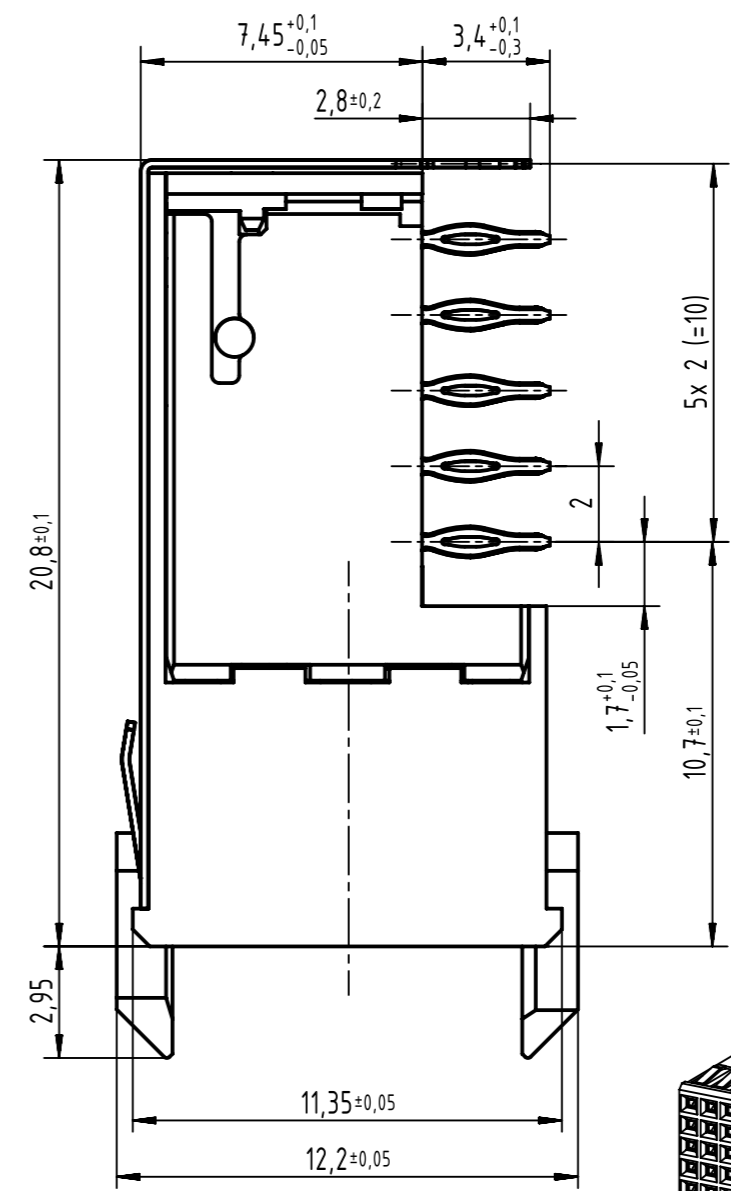
position — 25



board drillings



A (2:1)



17 21 110 5102	Au50
17 21 110 4102	NM30 (S4)
17 21 110 2102	2
17 21 110 1102	1
part no.	performance level 1

1 recommended configuration of plated through holes and further information see: DS 17002200101

All Dimensions in mm Original Size DIN A3		Scale 1:1	Free size tol. IEC 61076-4-101	Ref. Sub. TB 17 21 110 x102 / Mod. 35456 / 01.12.2008	
All rights reserved Department EL PD HARTING Electronics GmbH D-32339 Espelkamp	Created by STORCK	Inspected by LEHNERT	Standardisation HOFFMANN	Date 2018-05-15	State Final Release
	Title har-bus HM female connector type A with shield			Doc-Key / ECM-Nr. 100119996/UGD/010/B 500000135160	
Type TB	Number 1721110X102		Rev. B	Page 1/1	