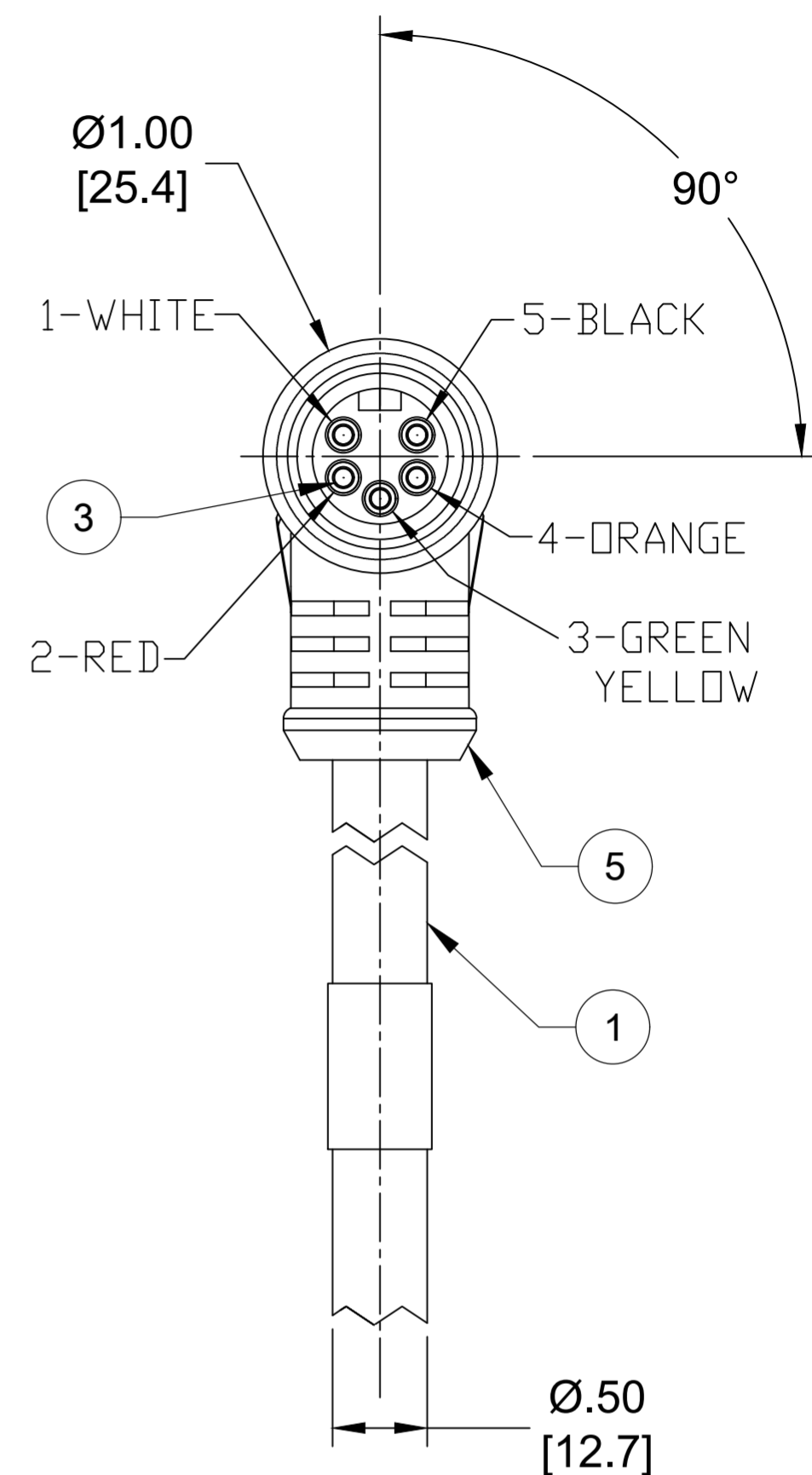
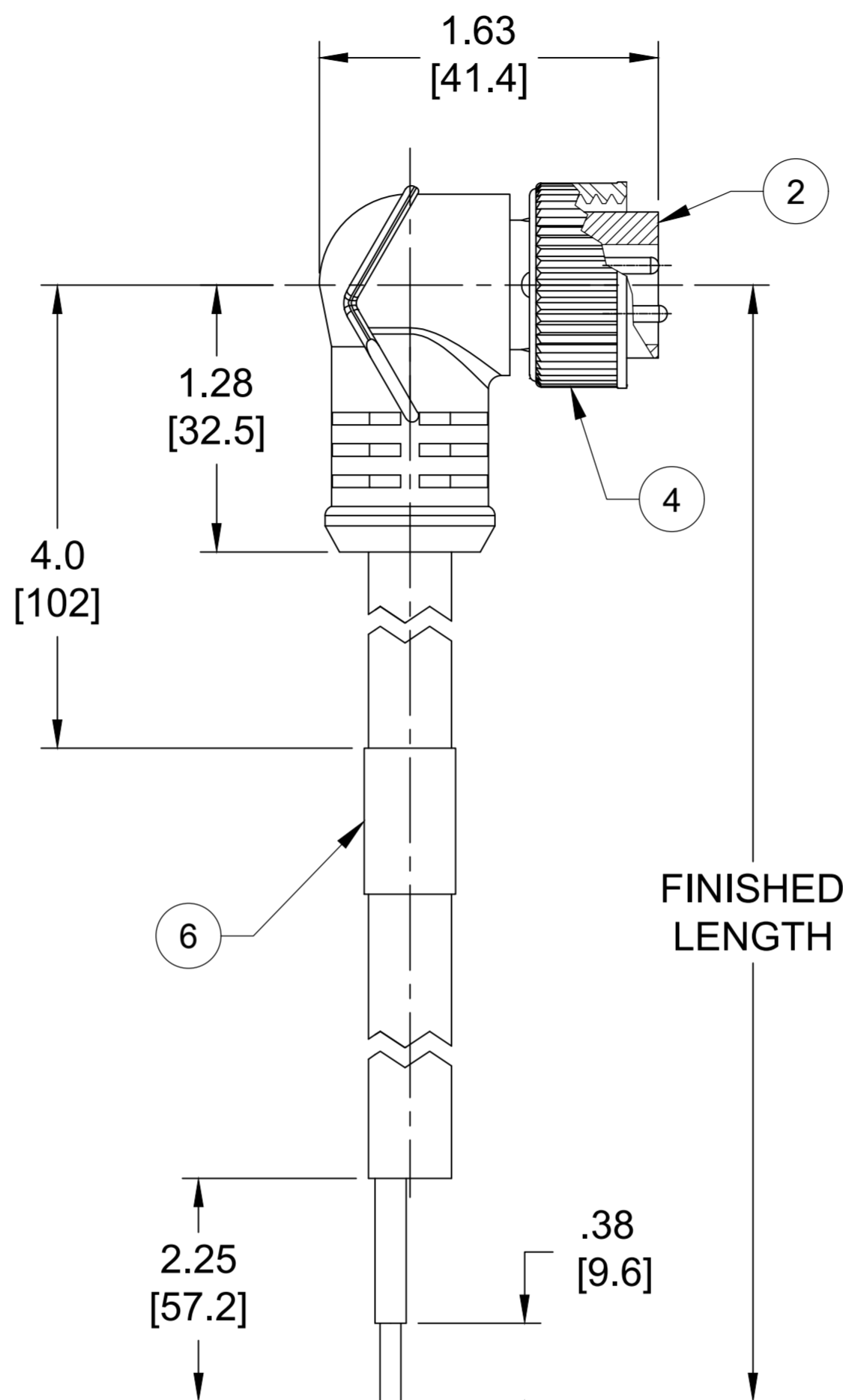
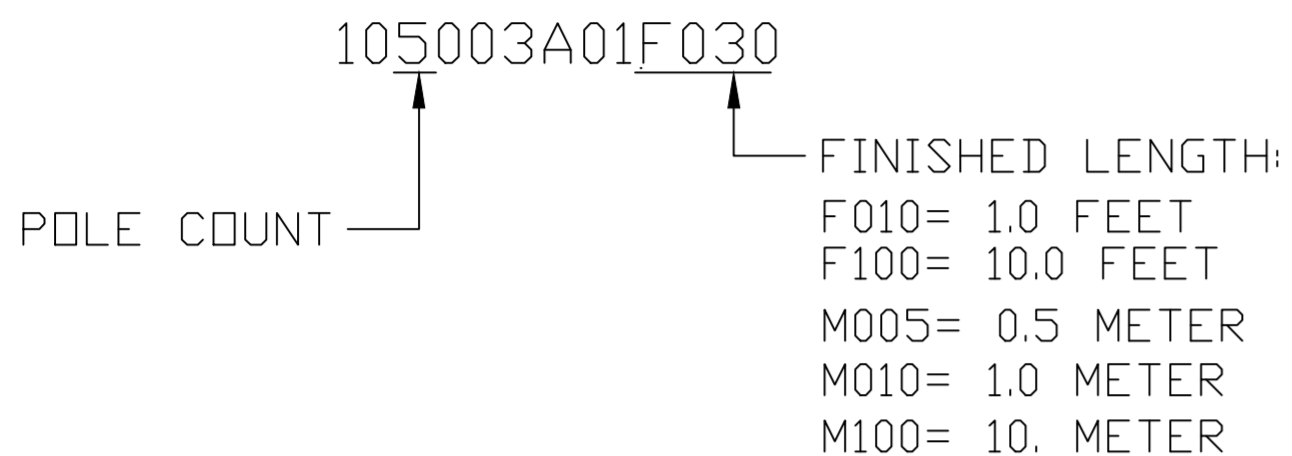


PART NO.	ENGINEERING NO.	FINISHED LENGTH
1300061516	105003A01F030	3.0FT [0.9M] (A1)
1300061518	105003A01F060	6.0FT [1.8M]
1300061524	105003A01F200	20.0FT [6.1M]

REF. THIS DRAWING SUPERSEDES SD-130006-035 REV-1

PART NUMBER LEGEND



- NOTES:**
- MATERIAL: AS NOTED
 - FINISH: AS NOTED
 - ELECTRICAL:
VOLTAGE: 400V PER IEC60664
600V PER UL2238
CURRENT: 8A
 - TEMP RATING: -20°TO +90°C (A1)
 - PROTECTION: IP67 (WHEN MATED)
 - COUPLING THREAD: 7/8-16UN
 - UL RECOGNIZED FILE: E152210
CSA CERTIFIED FILE: LR6837
 - ALL DIMS ARE FOR REFERENCE UNLESS TOLERANCED OR NOTED OTHERWISE

CABLE LENGTH TOLERANCES

>.3M [1FT]:	+19mm-0 [+ .75in-0]
.3 - .9M [1 - 3FT]:	+44.5mm-0 [+1.75in-0]
.9 - 1.8M [3 - 6FT]:	+55.6mm-0 [+2.19in-0]
1.8 - 3.7M [6 - 12FT]:	+88.9mm-0 [+3.50in-0]
3.7 - 7.3M [12 - 24FT]:	+165.1mm-0 [+6.50in-0]
7.3-14.6M [24 - 48FT]:	+317.5mm-0 [+12.50in-0]
14.6 - 30.5M [48-100FT]:	+622.3mm-0 [+24.50in-0]
OVER 30M [100FT]:	+2% OF FINISHED LENGTH

PRE-RELEASE
REFERENCE
USE ONLY

ITEM	DESCRIPTION	MATERIAL	FINISH
6	WRAP LABEL	VINYL	BLACK/YELLOW
5	OVERMOLD	TPE	YELLOW
4	COUPLING NUT, INT. THD	ZINC DIE-CAST	NICKEL PLATED
3	CONTACT PIN	COPPER ALLOY	GOLD PLATED
2	MALE INSERT	TPE	YELLOW
1	CABLE, 16/5, STOOW	PVC JACKET	YELLOW

SYMBOLS		THIS DRAWING CONTAINS INFORMATION THAT IS PROPRIETARY TO MOLEX ELECTRONIC TECHNOLOGIES, LLC AND SHOULD NOT BE USED WITHOUT WRITTEN PERMISSION		CURRENT REV DESC: CORRECTED FINISHED LENGTH, WAS 9.1M, TEMP SPEC WAS 80°	
△ = 0	DIMENSION UNITS	SCALE			
▽ = 0	INCH/MM	1:1			
∇ = 0	GENERAL TOLERANCES (UNLESS SPECIFIED)		EC NO: ----		
∇ = 0	4 PLACES	±----	DRWN: RSTONE	2019/11/26	
∇ = 0	3 PLACES	±----	CHK'D: MZIELINSKI	2019/12/04	
∇ = 0	2 PLACES	±----	APPR: ----		
∇ = 0	1 PLACE	±----	INITIAL REVISION:		
∇ = 0	0 PLACES	±----	DRWN: RSTONE	2019/09/10	
∇ = 0	ANGULAR TOL ± ---- °		APPR: BWOODMAN	2019/10/03	
∇ = 0	DRAFT WHERE APPLICABLE MUST REMAIN WITHIN DIMENSIONS		THIRD ANGLE PROJECTION	DRAWING	SERIES
			C-SIZE	130006	

molex

MINI CHANGE CABLE ASSY, 5P, MALE, 90 DEG
16AWG, STOOW, INTERNAL THREAD

PRODUCT CUSTOMER DRAWING

DOCUMENT NUMBER	DOC TYPE	DOC PART	REVISION
1300061516	PSD	000	A1
MATERIAL NUMBER	CUSTOMER	SHEET NUMBER	
		1 OF 1	