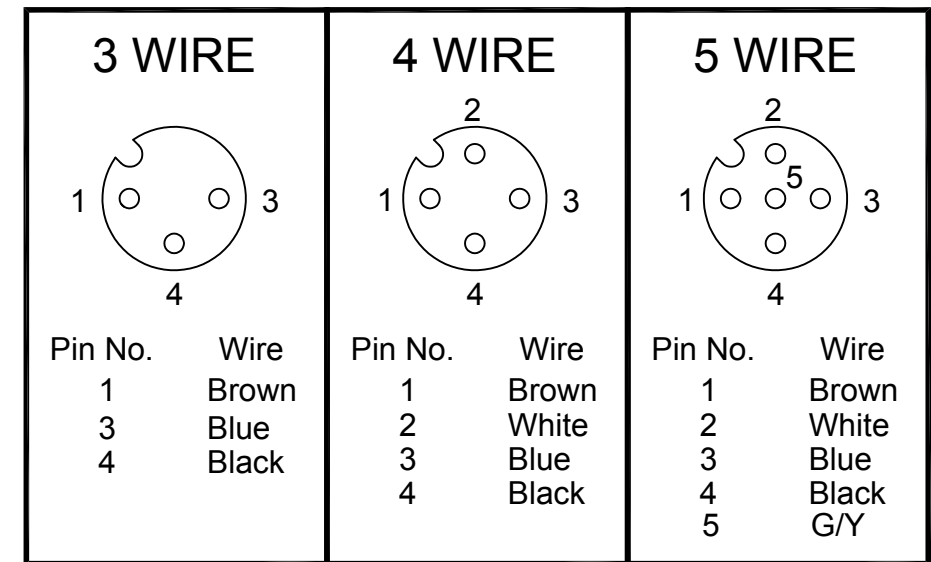


POL	MATERIAL NUMBER	ENGINEERING NUMBER	FINISHED LENGTH
3	1200705201	8R3J20E03C3003	0.3M ±10 -0 [0.98' +1.75" -0]

POL	MATERIAL NUMBER	ENGINEERING NUMBER	FINISHED LENGTH
4	1200705205	8R4J20E03C3003	0.3M ±10 -0 [0.98' +1.75" -0]

POL	MATERIAL NUMBER	ENGINEERING NUMBER	FINISHED LENGTH
5	1200705207	8R5J20E03C3003	0.3M ±10 -0 [0.98' +1.75" -0]

FEMALE FACE VIEW



CONNECTOR SPECIFICATION:

VOLTAGE RATING	250 VAC/VDC
AMPERAGE RATING	max. 4 AMPS
PROTECTION	IP68
OPERATING TEMPERATURE	-20°C TO +80°C
ASSEMBLY IS RoHS COMPLIANT	

ITEM	COMPONENT	MATERIAL	FINISH
5	O-RING	VITON	BLACK
4	RECEPTACLE SHELLS	BRASS	NICKEL PLATED
3	CONTACT SOCKET	F.C.BRASS ASTM B16	GOLD OVER NICKEL
2	INSERT	NYLON 6/6	-
1	1-4 0.34 CONDUCT. 5 0.5 CONDUCT. 300V	PVC	-

DESCRIPTION EC NO: WEU2010-0391 DRWN: LSTEMMLE 2010/02/26 CHKD: NS APPR: NSTAUDIG 2010/03/03	QUALITY SYMBOLS	GENERAL TOLERANCES (UNLESS SPECIFIED)	DIMENSION STYLE	SCALE	DESIGN UNITS	THIRD ANGLE PROJECTION
	$\nabla = 0$ $\nabla C = 0$	mm INCH 4 PLACES ±--- ±--- 3 PLACES ±--- ±--- 2 PLACES ±--- ±.01 1 PLACE ±0.3 ±--- ANGULAR ± --- °	MM ONLY	2:1	METRIC	
		DRAFT WHERE APPLICABLE MUST REMAIN WITHIN DIMENSIONS	DRAWN BY DATE LSTEMMLE 2010/02/26 CHECKED BY DATE FP 2010/03/01 APPROVED BY DATE NSTAUDIG 2010/03/03	MMC-3-5P-FE-REC-PG9-XM PVC 0.34 WIRE FRONT MOUNTING		
	1 REV		MATERIAL NO. SEE TABLE SIZE A3 THIS DRAWING CONTAINS INFORMATION THAT IS PROPRIETARY TO MOLEX INCORPORATED AND SHOULD NOT BE USED WITHOUT WRITTEN PERMISSION	DOCUMENT NO. SD-120070-019 SHEET NO. 1 OF 1	MOLEX INCORPORATED	