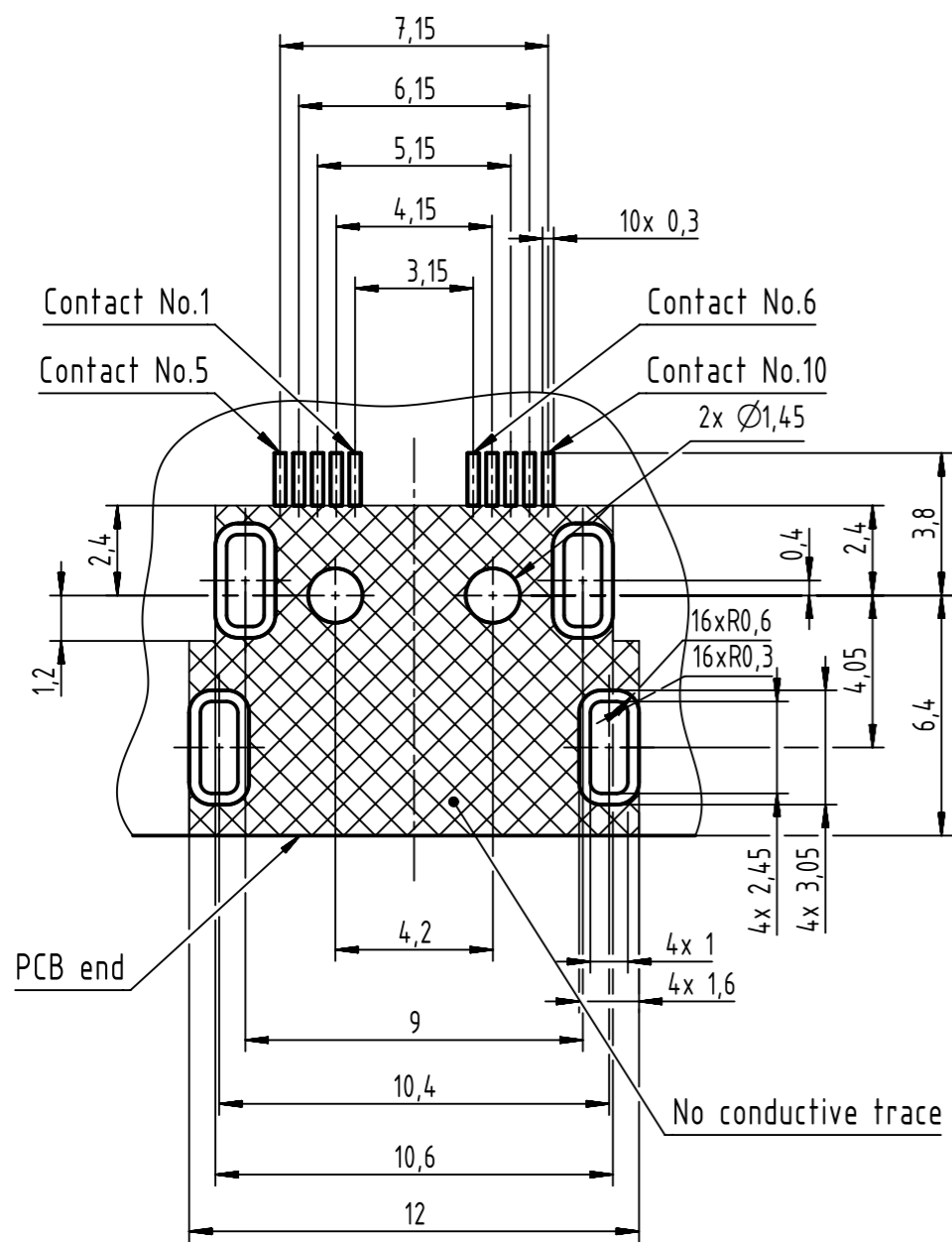


09452819001: Tape & reel packaging (550 pcs.)
 09452819001333: Single packaging (1 pcs.)

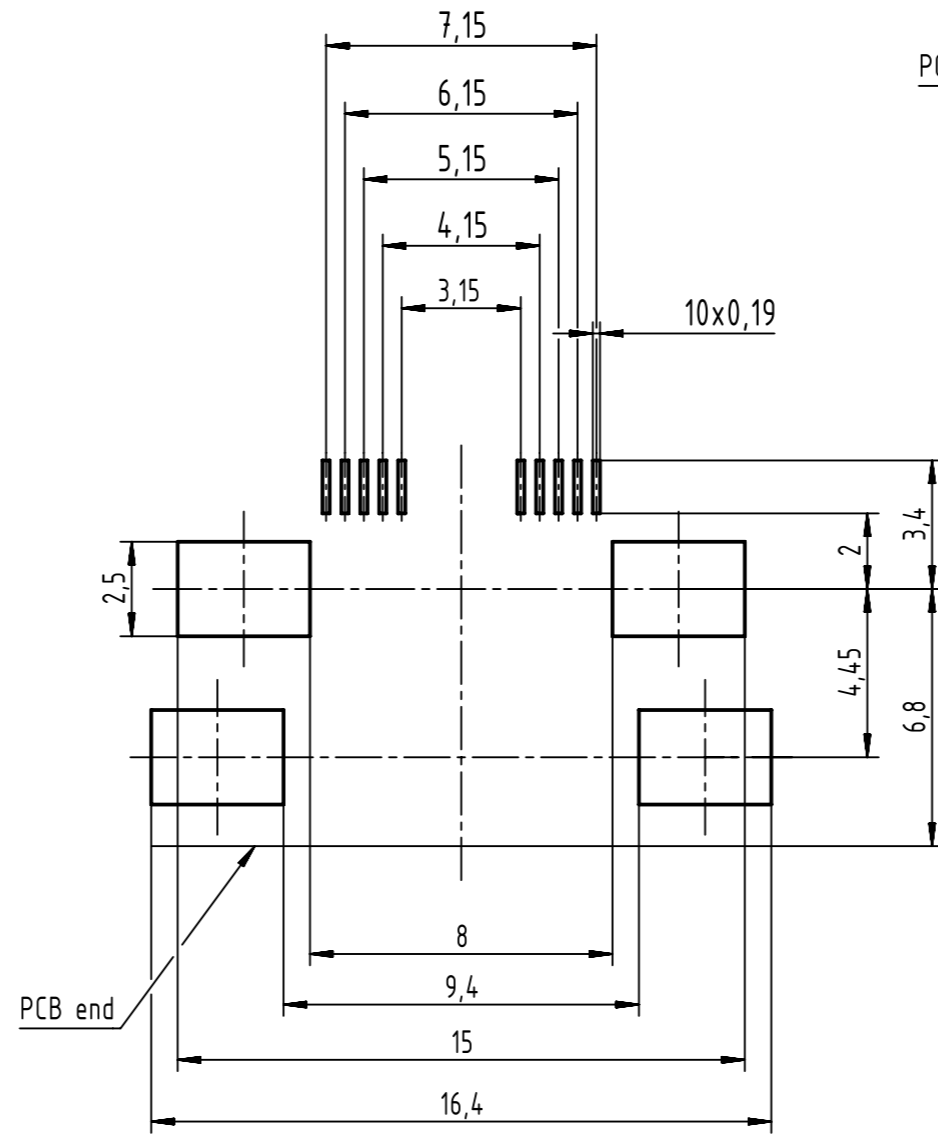
This product is mounted by reflow soldering.
 Contact material: copper alloy
 Contact area: Gold 0.2µm min.
 Lead area: Gold 0.03µm min.
 Under plating: Nickel 2µm min.

	All Dimensions in mm Original Size DIN A3		Scale 5:1	Free size tol.		Ref.
	All rights reserved Department EL PD		Created by 402602	Inspected by PRIESTER	Standardisation HOFFMANN	Date 2020-01-27
HARTING Electronics GmbH D-32339 Espelkamp		Title ix Industrial 10B-1 jack AH			Doc-Key / ECM-Nr. 100805966/UGD/000/C 500000165338	
		Type TB	Number 09452819001		Rev. C	Page 1/3

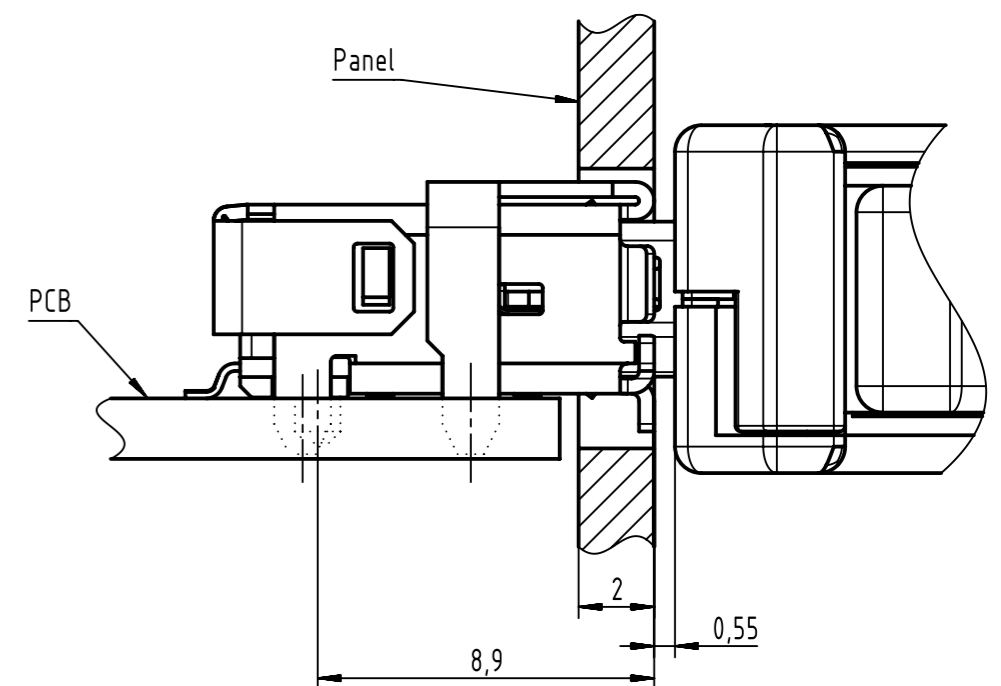
Reference PCB Layout (t=1.6)



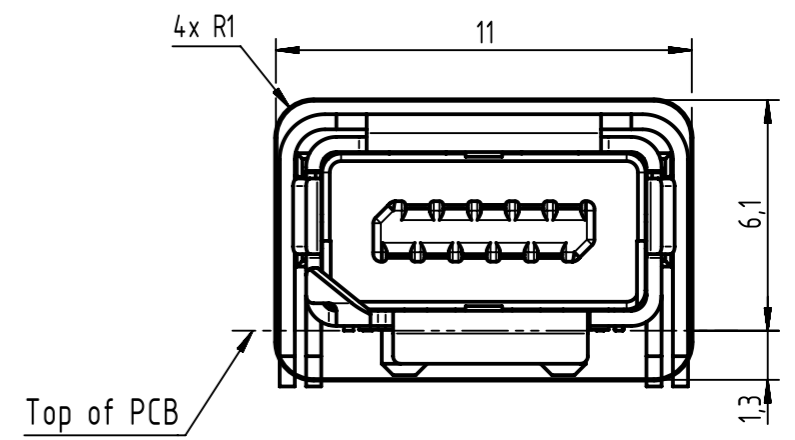
Example Metal Mask Layout (t=0.15) (SMD pitch >14.5)



Mated condition



Reference dimensions of panel cut out

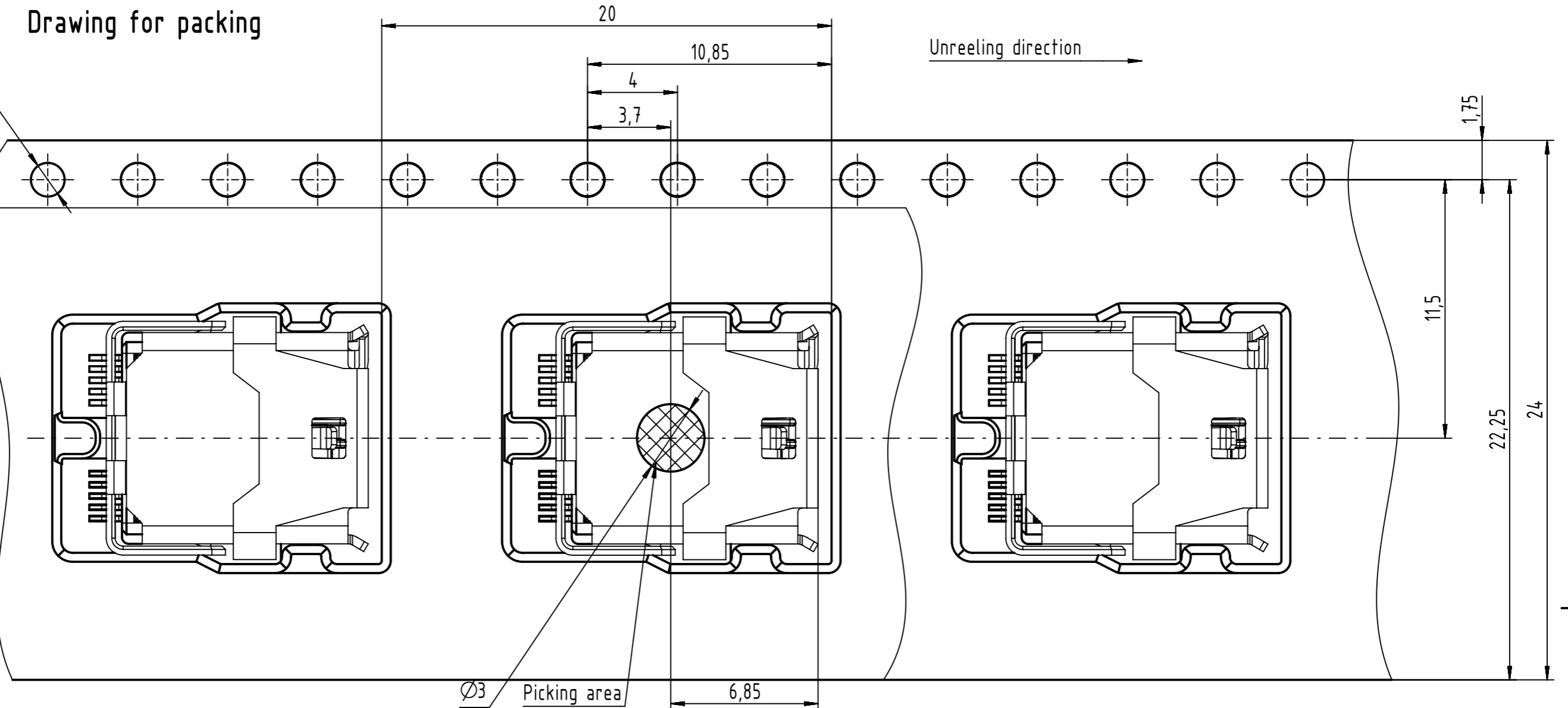


	All rights reserved	Created by 402602	Inspected by PRIESTER	Standardisation HOFFMANN	Date 2020-01-27	State Final Release
	Department EL PD	Title ix Industrial 10B-1 jack AH			Doc-Key / ECM-Nr. 100805966/UGD/000/C 500000165338	
HARTING Electronics GmbH D-32339 Espelkamp		Type TB	Number 09452819001		Rev. C	Page 2/3

Drawing for packing

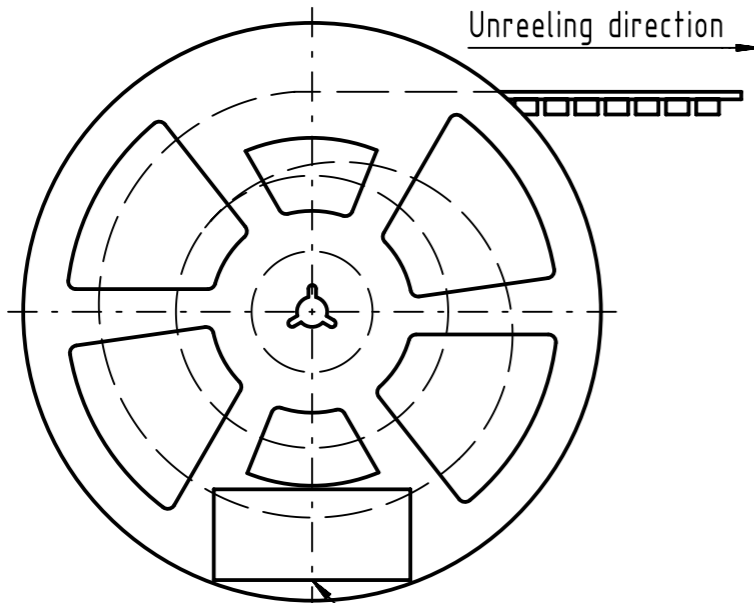
Ø1,5

Unreeling direction →

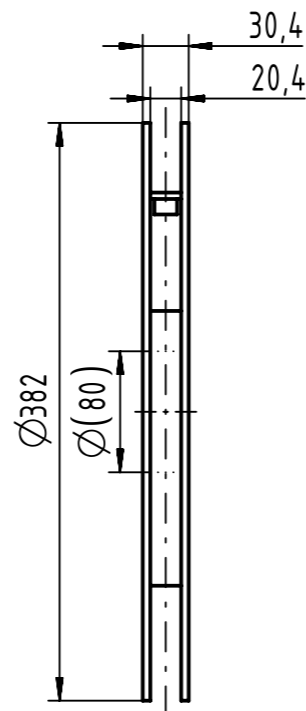


Ø3 Picking area

Unreeling direction →



Label (Part No. Code No. Lot No. Packing quantity)



	All rights reserved		Created by 402602		Inspected by PRIESTER		Standardisation HOFFMANN		Date 2020-01-27		State Final Release	
	Department EL PD		Title ix Industrial 10B-1 jack AH		Doc-Key / ECM-Nr. 100805966/UGD/000/C 500000165338		Rev. C		Page 3/3			
All Dimensions in mm Original Size DIN A3			Scale 5:1		Free size tol.		Ref.		Sub.			
HARTING Electronics GmbH D-32339 Espelkamp			Type TB		Number 09452819001							