

# High Frequency Ceramic Solutions

900MHz 1:1 RF Balun, EIA 0805 with DC-Feed Feature

P/N 0900BL15C050

Detail Specification: 1/18/2019

Page 1 of 4

## General Specifications

Part Number	0900BL15C050	Amplitude Difference	2.0 dB max.
Frequency	800 - 1000 (MHz)	Operating Temperature	-40 to +105°C
Unbalanced Impedance	50 Ω	Storage Temperature	-40 to +105°C
Differential Balanced Imp.	50 Ω	Power Capacity	3 W max. (CW)
Insertion Loss	0.9dB Typ (1.2 dB max.)	Recommended Storage Conditions of unused product on T&R	+5 to +35°C, 18 mos. max. Humidity 45~75% RH
Return Loss	11dB Typ (9.5 dB min.)		
Phase Difference	180 ± 10 deg.		

## Part Number Explanation

P/N Suffix	Packing Style	Bulk	Suffix = S	Eg. 0900BL15C050S
		T & R	Suffix = E	Eg. 0900BL15C050E (4000 pcs/reel)
	Termination style	AgPt	Suffix = None	Eg. 0900BL15C050 (E or S)
	Evaluation Board	eg.0900BL15C050-EB1SMA (2 port back-to-back EVB)		
eg. 0900BL15C0500-EB2SMA (3 port standard EVB)				

You can download measured s-parameters of this component at: <http://www.johansontechnology.com/rfbaluns>

## Mechanical Dimensions

In	mm
L	0.079 ± 0.004
W	0.049 ± 0.004
T	0.028 ± 0.004
a	0.012 ± 0.004
b	0.008 ± 0.004
c	0.012 +0.004/0.008
g	0.014 ± 0.004
p	0.026 ± 0.002

## Terminal Configuration

1	Unbalanced Port (IN)	6	NC
2	GND or DC Feed+RF GND		
3	Balanced Port (OUT2)		
4	Balanced Port (OUT1)		
5	GND		

## Mounting Considerations

Mount these devices with colored mark facing up.

\* Line width should be designed to provide 50ohm impedance

- Solder
- Land
- Through-hole (Φ0.3)

Johanson Technology, Inc. reserves the right to make design changes without notice.

All sales are subject to Johanson Technology, Inc. terms and conditions.



[www.johansontechnology.com](http://www.johansontechnology.com)

4001 Calle Tecate • Camarillo, CA 93012, USA • TEL +1.805.389.1166

Ver 1.3

2019 Johanson Technology, Inc. All Rights Reserved

# High Frequency Ceramic Solutions

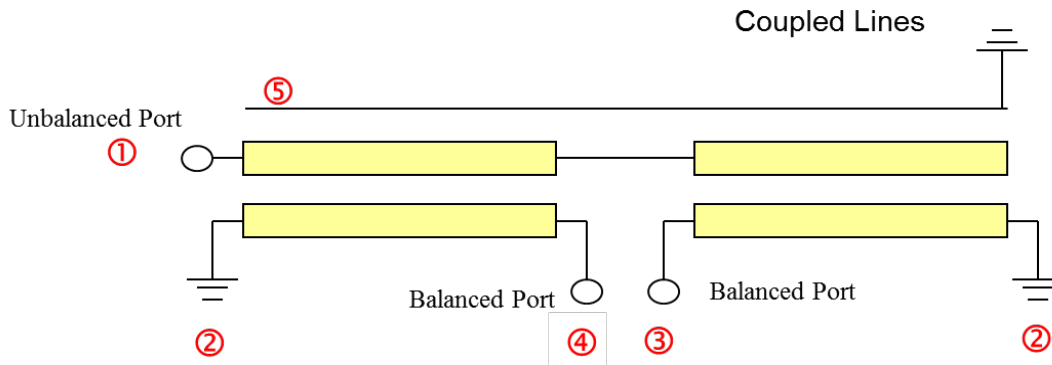
900MHz 1:1 RF Balun, EIA 0805 with DC-Feed Feature

P/N 0900BL15C050

Detail Specification: 1/18/2019

Page 2 of 4

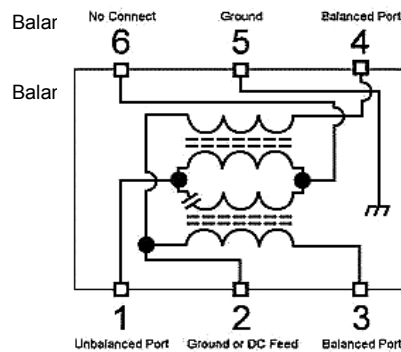
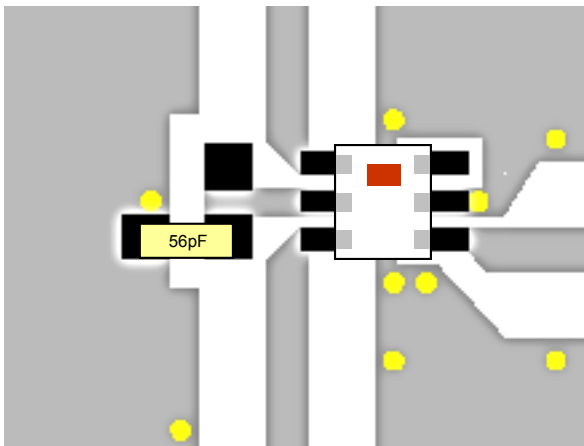
## Equivalent Circuit for 0900BL15C050



-Pin3 and Pin4 are DC connected to Pin2 (GND or DC feed) in the device but not DC connected to Pin5 (GND). Therefore by-pass capacitors should be connected when feeding DC power from Pin2.

Unbalanced port does not have a direct current path to GND

Use 56pF RF GND cap when using DC-Feed option



Need our help laying this out for you? Need the layout file? Send us a message at: [www.johansontechnology.com/component/techquestion](http://www.johansontechnology.com/component/techquestion)

Johanson Technology, Inc. reserves the right to make design changes without notice.  
All sales are subject to Johanson Technology, Inc. terms and conditions.



Ver 1.3

[www.johansontechnology.com](http://www.johansontechnology.com)

4001 Calle Tecate • Camarillo, CA 93012, USA • TEL +1.805.389.1166

2019 Johanson Technology, Inc. All Rights Reserved

# High Frequency Ceramic Solutions

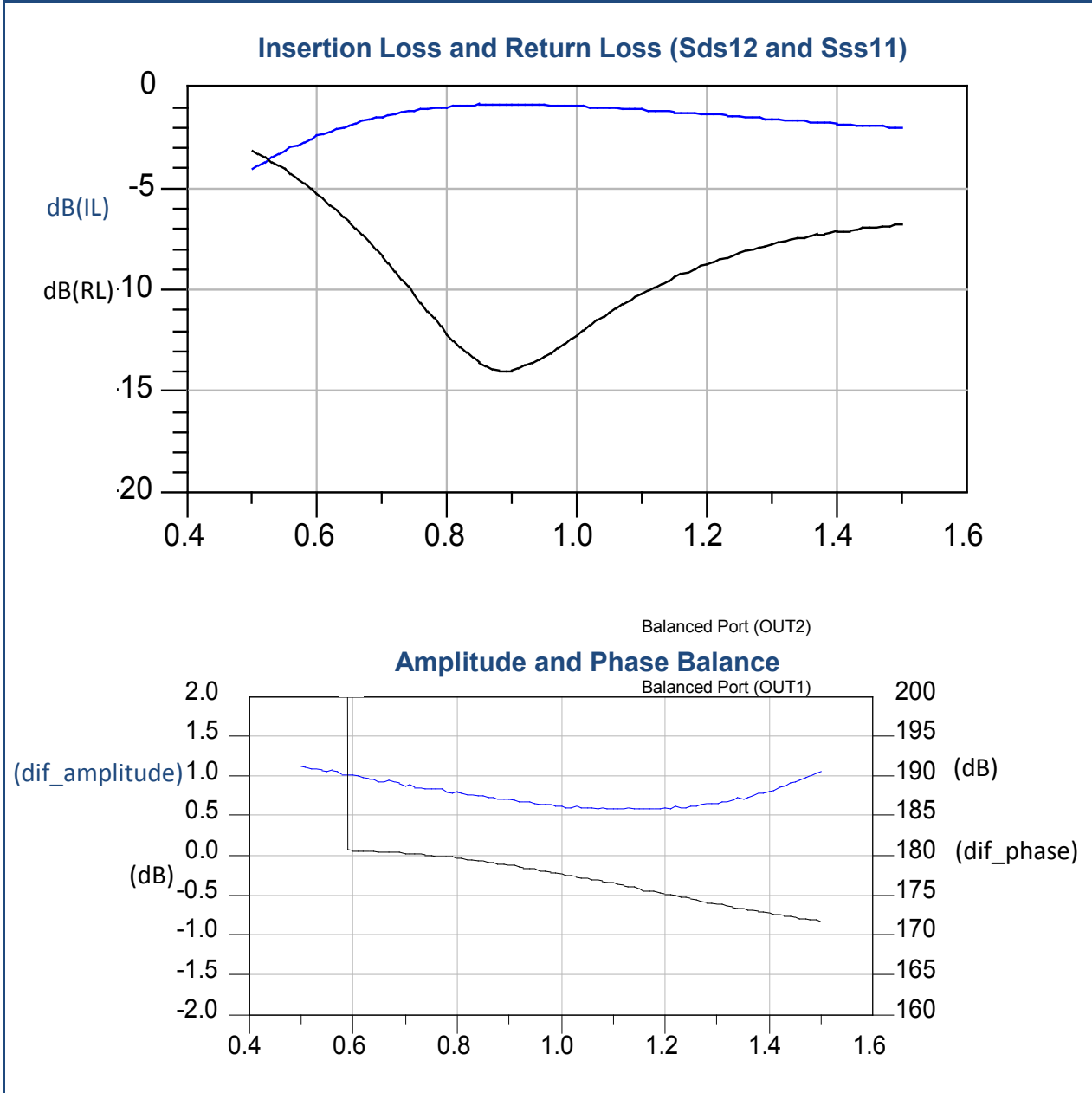
900MHz 1:1 RF Balun, EIA 0805 with DC-Feed Feature

P/N 0900BL15C050

Detail Specification: 1/18/2019

Page 3 of 4

## Typical Electrical Characteristics (T=25°C)



Johanson Technology, Inc. reserves the right to make design changes without notice.  
All sales are subject to Johanson Technology, Inc. terms and conditions.



[www.johansontechnology.com](http://www.johansontechnology.com)

4001 Calle Tecate • Camarillo, CA 93012, USA • TEL +1.805.389.1166

Ver 1.3

2019 Johanson Technology, Inc. All Rights Reserved

# High Frequency Ceramic Solutions

**900MHz 1:1 RF Balun, EIA 0805 with DC-Feed Feature**

**P/N 0900BL15C050**

Detail Specification: 1/18/2019

Page 4 of 4

## More Balun info at:

[www.johansontechnology.com/baluns](http://www.johansontechnology.com/baluns)

## RoHS Compliance

[www.johansontechnology.com/rohs-compliance](http://www.johansontechnology.com/rohs-compliance)

## Packaging information

[www.johansontechnology.com/tape-reel-packaging](http://www.johansontechnology.com/tape-reel-packaging)

## Soldering Information

[www.johansontechnology.com/ipcsoldering-profile](http://www.johansontechnology.com/ipcsoldering-profile)

## Layout Files, s-parameters and any other technical questions

[www.johansontechnology.com/ask-a-question](http://www.johansontechnology.com/ask-a-question)

## MSL Info

[www.johansontechnology.com/msl-rating](http://www.johansontechnology.com/msl-rating)

## Recommended Storage Condition and Max Shelf Life

[www.johansontechnology.com/recommended-storage-conditions](http://www.johansontechnology.com/recommended-storage-conditions)

## Antenna layout and tuning techniques

[www.johansontechnology.com/tuning](http://www.johansontechnology.com/tuning)

## Antenna layout review, tuning, and characterization services

[www.johansontechnology.com/ipc-antenna-services](http://www.johansontechnology.com/ipc-antenna-services)

Johanson Technology, Inc. reserves the right to make design changes without notice.

All sales are subject to Johanson Technology, Inc. terms and conditions.



Ver 1.3

[www.johansontechnology.com](http://www.johansontechnology.com)

4001 Calle Tecate • Camarillo, CA 93012, USA • TEL +1.805.389.1166

2019 Johanson Technology, Inc. All Rights Reserved