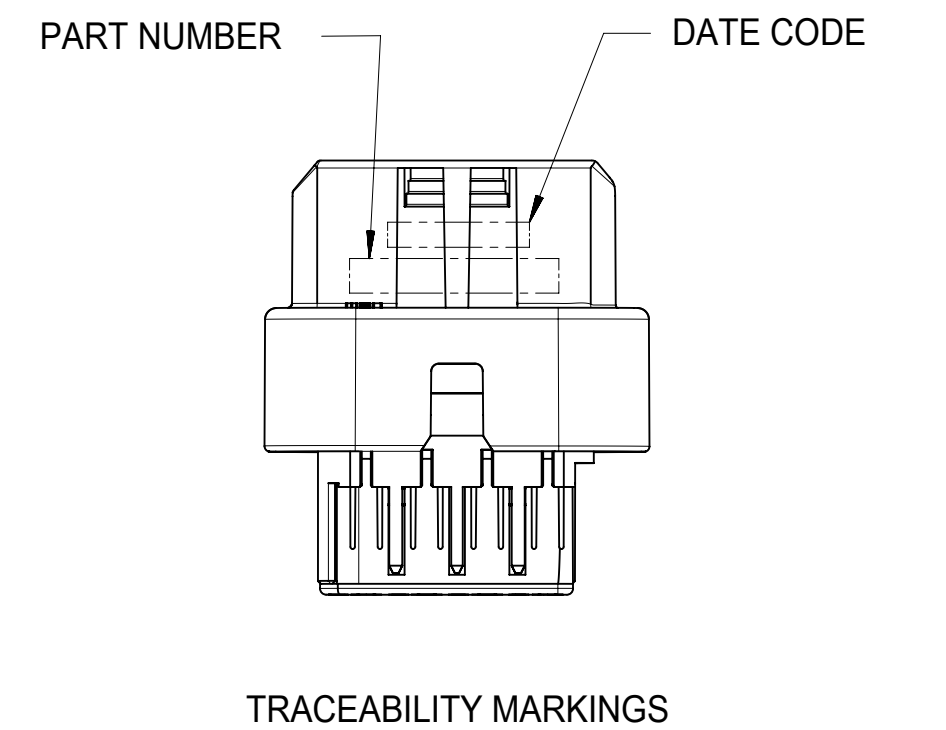
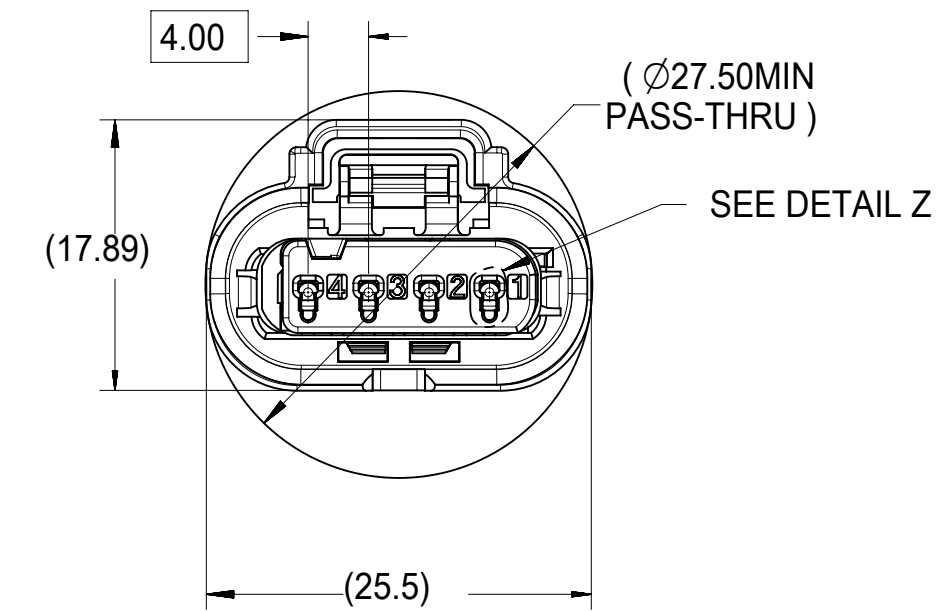
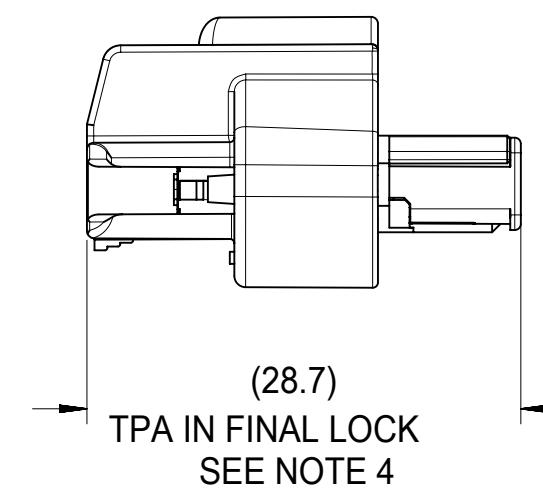
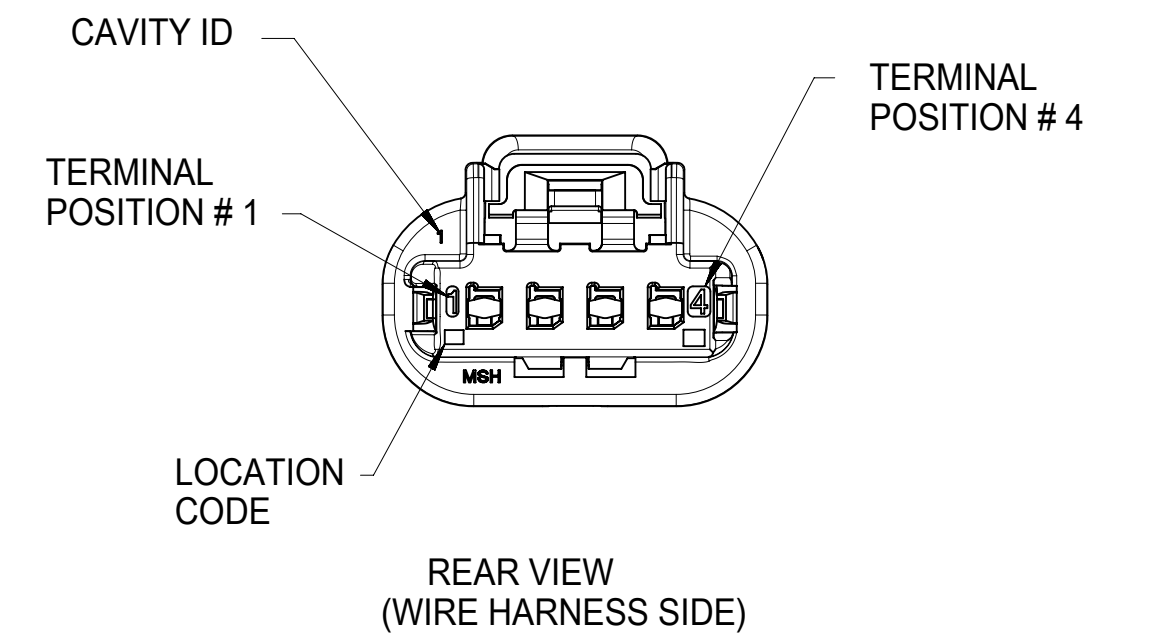
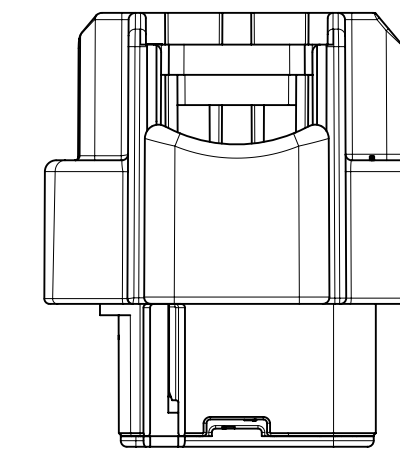
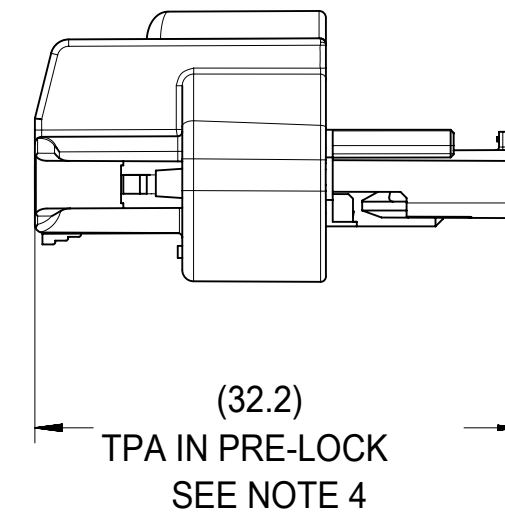
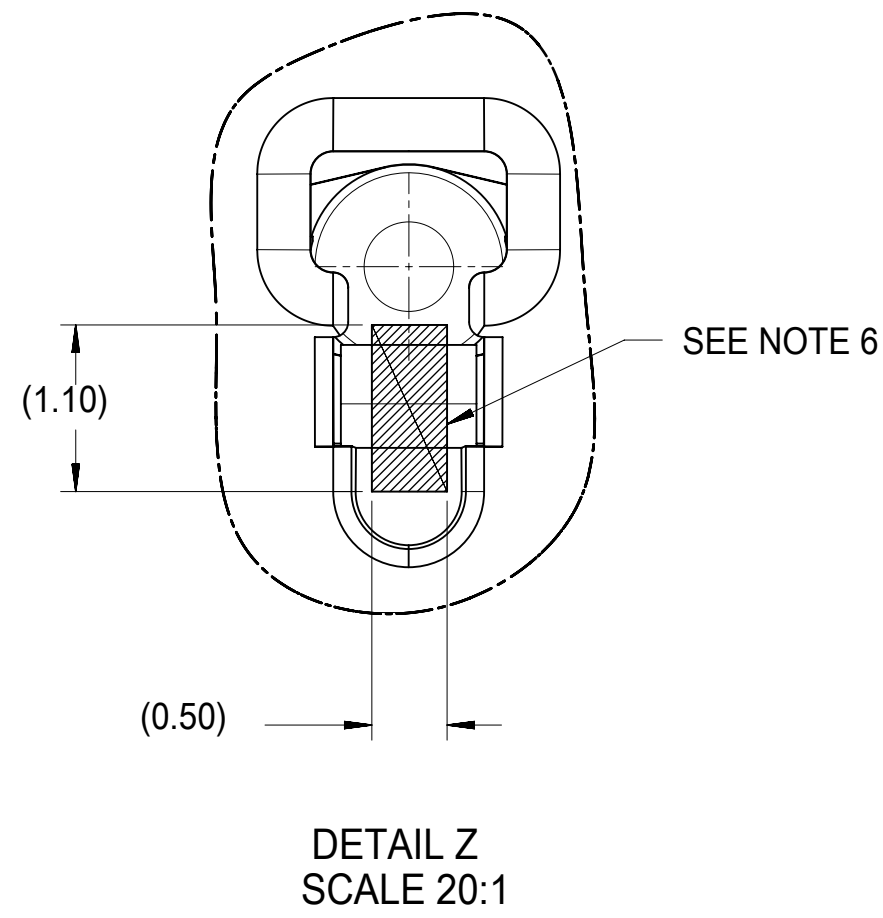
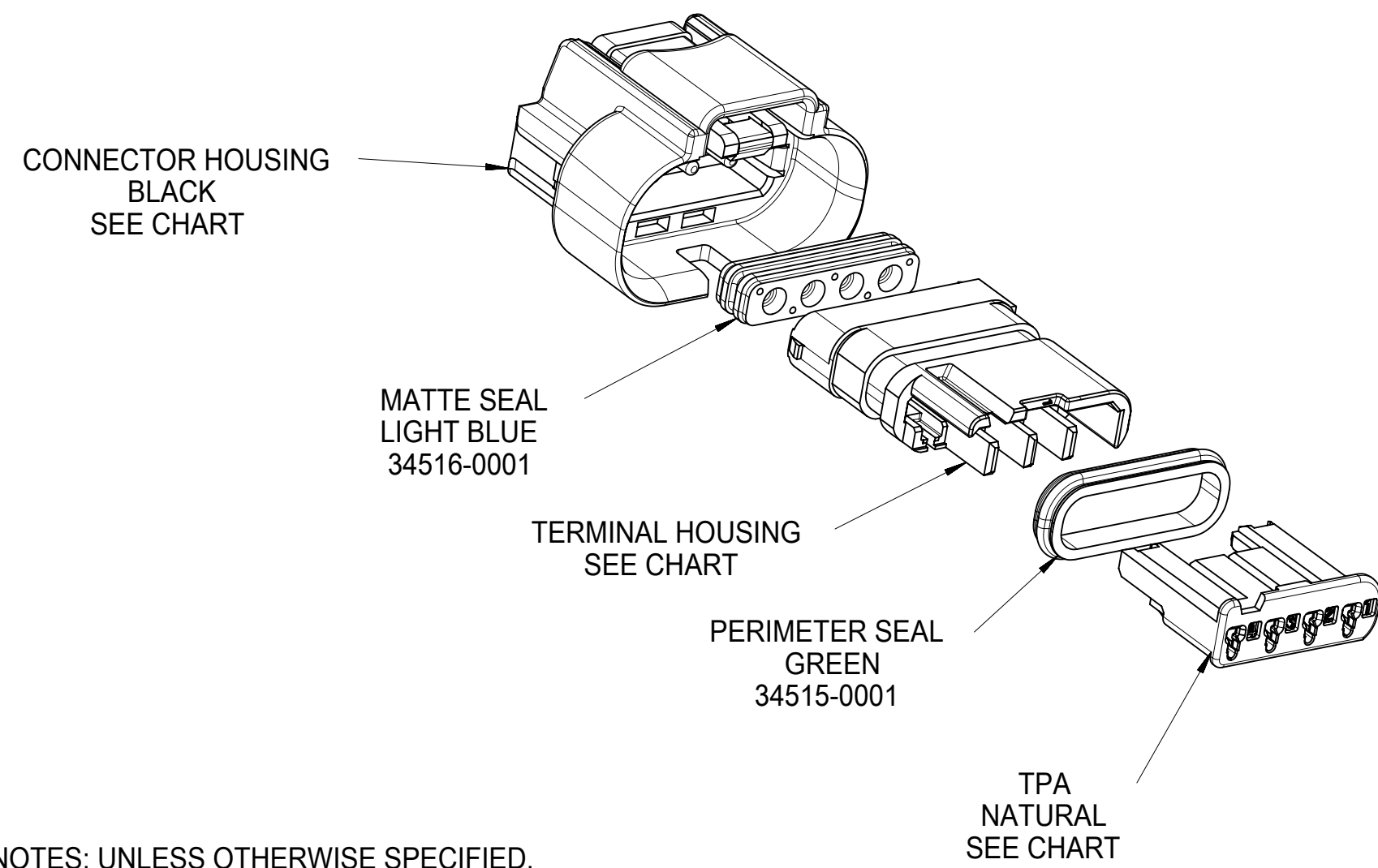
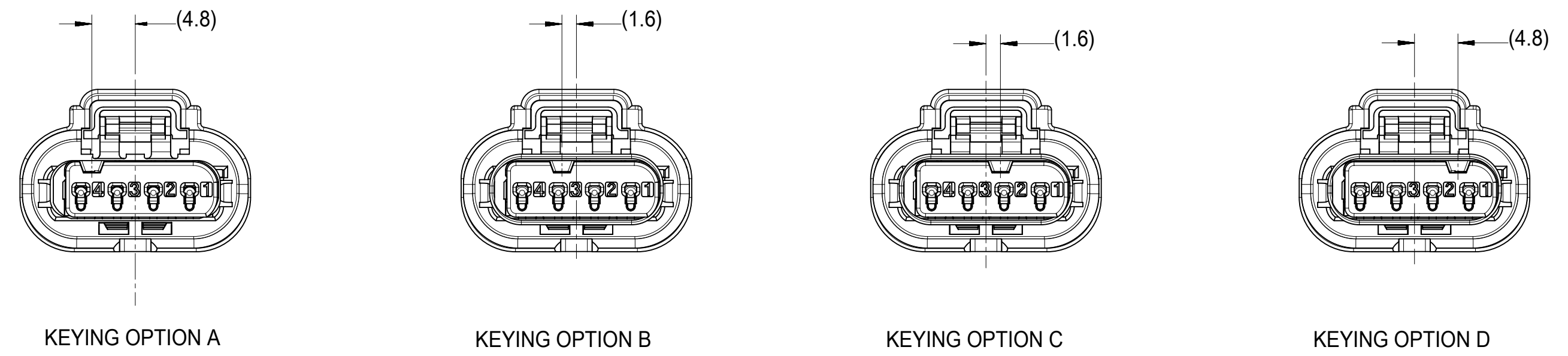
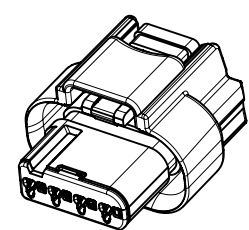


ASSEMBLY PART NO.	TPA PART NO.	CONNECTOR HOUSING NO.	TERMINAL HOUSING		KEYING OPTION	NUMBER OF PLUGGED POSITIONS	CAVITY STATUS (X = PLUGGED)				TOOLED
			PART NUMBER	COLOR			1	2	3	4	
34511-1001	34514-0001	34512-0003	34513-0001	BLACK	A	0					X
34511-1002	34514-0002	34512-0003	34513-0002	LIGHT GRAY	B	0					
34511-1003	34514-0003	34512-0003	34513-0003	BROWN	C	0					
34511-1004	34514-0004	34512-0003	34513-0004	DARK GRAY	D	0					
34511-1011	34514-0001	34512-0001	34513-0001	BLACK	A	2	X	X			X



NOTES: UNLESS OTHERWISE SPECIFIED.

- MATERIAL  
PLASTIC: GLASS FILLED SPS RESIN  
SEALS: SILICONE
- FOR RECEPTACLE TERMINAL TO BE USED WITH THIS ASSEMBLY  
SEE MOLEX DRAWING SD-33468-001.  
TERMINAL BOX AND CRIMP SHOULD BE PARALLEL TO EACH OTHER  
WITHIN ONE DEGREE (1°) TO PREVENT TERMINAL STUBBING.
- DESIGNED TO MATE WITH HIRSCHMANN DRAWING 872-975-XXX  
VARIANTE 1 WITH FORM 1 BLADES ON DRAWING 1 99 51 50733 1.
- ASSEMBLY SHIPPED WITH TPA IN PRE-LOCK POSITION.  
EACH TPA MUST BE SNAPPED INTO FINAL LOCK  
POSITION UPON FULL TERMINAL ASSEMBLY.
- SYSTEM TO BE USED WITH SAE 18 AWG, 20 AWG AND 22 AWG WIRES  
WITH DIAMETERS IN THE RANGE OF 1.5 MM TO 2.13 MM.
- TO PREVENT TERMINAL BEAM DAMAGE, USE RECTANGULAR  
FLAT TIPPED PROBES FOR TERMINAL PROBING.
- TPA FORCES  
A. ENGAGEMENT FORCE - WITH TERMINALS (PRE-LOCK TO FINAL-LOCK): 70 N MAX  
B. DISENGAGEMENT FORCE - WITH TERMINALS (FINAL-LOCK TO PRE-LOCK): 15N MAX
- FOR RECYCLING INFORMATION CONTACT MOLEX.
- SHALL CONFORM TO THE FOLLOWING PACKAGING SPECIFICATION NUMBER: PK-31300-163
- FINISHED ASSEMBLIES TO BE MARKED WITH DATE CODE AND PART NUMBER.
- TPA'S MAY BECOME SEATED DURING TRANSIT. IF THIS OCCURS, TPA'S SHOULD BE  
MOVED TO THE PRE-LOCKED POSITION PRIOR TO FEMALE TERMINAL INSTALLATION.
- FORCE TO BE APPLIED TO SECONDARY LOCK FOR CAVITY DAMAGE SUSCEPTIBILITY  
TESTING (USCAR 5.4.9) TO BE 60 N.



SYMBOLS	THIS DRAWING CONTAINS INFORMATION THAT IS PROPRIETARY TO MOLEX ELECTRONIC TECHNOLOGIES, LLC AND SHOULD NOT BE USED WITHOUT WRITTEN PERMISSION		CURRENT REV DESC:	
▽ = 0	DIMENSION UNITS	SCALE		
▽ = 0	mm	2:1		
▽ = 0	GENERAL TOLERANCES (UNLESS SPECIFIED)			
▽ = 0	ANGULAR TOL	± °		
▽ = 0	4 PLACES	±		
▽ = 0	3 PLACES	±		
▽ = 0	2 PLACES	±		
▽ = 0	1 PLACE	±		
▽ = 0	0 PLACES	±		
■ = 0	DRAFT WHERE APPLICABLE MUST REMAIN WITHIN DIMENSIONS			
▽ = 0	THIRD ANGLE PROJECTION	DRAWING	SERIES	
		D-SIZE	34511	
			EC NO: 604499	
			DRWN: HKLIANG 2018/09/17	
			CHK'D: JDENG02 2018/09/19	
			APPR: JDENG02 2018/09/19	
			INITIAL REVISION:	
			DRWN: BFLOWERS 2004/04/12	
			2004/04/13	
			APPR: SMARCEAU	
DOCUMENT NUMBER		DOC TYPE	DOC PART	REVISION
SD-34511-001		PSD	001	L
MATERIAL NUMBER		CUSTOMER	SHEET NUMBER	
		GENERAL MARKET	1 OF 1	