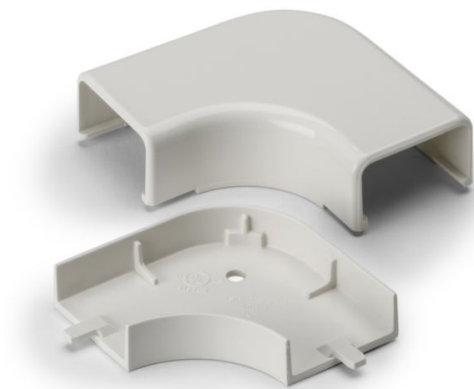


Specification Sheet

Part Number: TSRP2FW-25-1



Elbow Cover, 1-1/4", 1" Bend Radius, PVC, Office White, 1/bag

Article Number

250-62250

Type

TSRP2-25-1

Color

Office White (OEWH)

Features & Benefits

- Tamper resistant covers with hidden latch provide security while allowing quick entry for cable maintenance.
- PVC construction is lightweight, durable and more affordable than metallic raceway systems.
- Flexible hinge designed to reduce stress cracking and discoloration from repeated opening and closing.
- Systems and fittings are available in white, office white and ivory to coordinate with a variety of décor.
- Fittings incorporate a minimum 1" bend radius to meet TIA/EIA 568-B and 569-A standards.
- TSRP power rated surface raceway systems have an enhanced "channel and lug" mating design that provides a tighter, more secure fit between raceway lengths and fittings, enabling the system to be UL Listed for power up to 600 volts and meet UL5A and CSA 22.2.

Quantity Per

EA

Product Description

HellermannTyton surface raceway systems are the ideal solution for routing communication and power cables. No need to break into existing walls - raceway systems are designed to route cable along wall surfaces. Made of a PVC material, components are durable and affordable; and the one piece construction and adhesive tape backing make positioning and mounting easy. HellermannTyton offers a low voltage TSR system and a power rated TSRP system that are available in three different diameters to accommodate different cable and wire bundle and conduit sizes. Both systems include a complete line of fittings and junction boxes that allow for clean and professional installations. TSRP surface raceway systems are designed to aesthetically organize and route either power or communications cables.

Short Description

Elbow Cover, 1-1/4", 1" Bend Radius, PVC, Office White, 1/bag

Global Part Name

TSRP2-25-1-PVC-WH

Material

Polyvinylchloride (PVC)

Material Shortcut

PVC

Flammability

UL 94 V0

Halogen free

No

Operating Temperature (Metric)

+122°F (+50°C)

Reach Complaint(Article 33)

No

ROHS Complaint

Yes

UL Listed (US and Canada)

Yes

UL Listed (US)

Yes

Package Quantity(Imperial)

1

Package Quantity (Metric)

1

Customs Number

3925900000