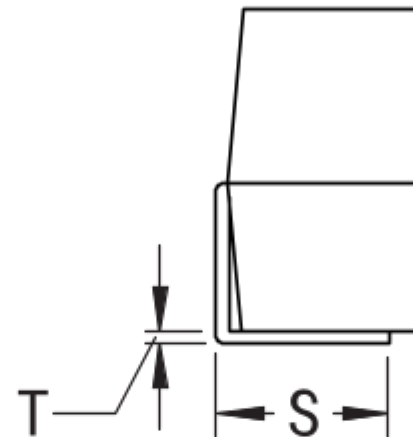
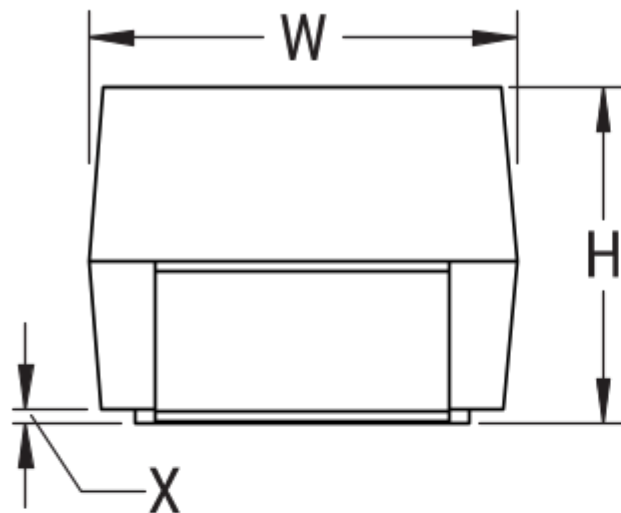


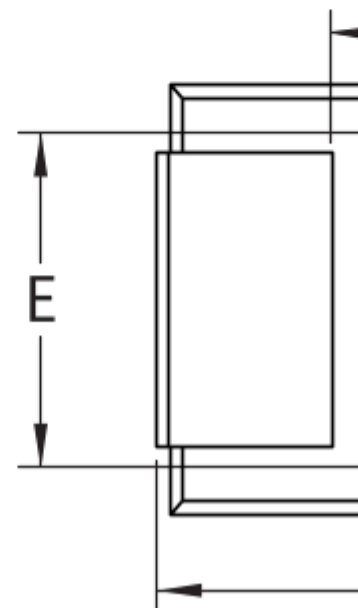
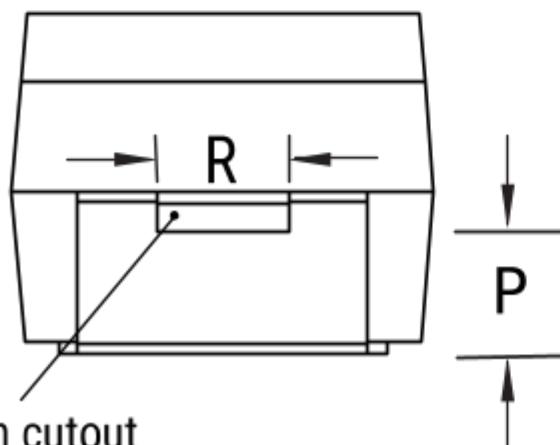
T495A335K006ATE3K0

T495, Tantalum, MnO₂ Tantalum, 3.3 uF, 10%, 6.3 VDC, SMD, MnO₂, Molded, Low ESR, 3 Ohms, 3216, Height Max = 1.8mm

CATHODE (-) END VIEW



ANODE (+) END VIEW



Termination cutout
at KEMET's option,
either end

Click [here](#) for the 3D model.

Dimensions

Footprint 3216

L	3.2mm +/-0.2mm
W	1.6mm +/-0.2mm
H	1.6mm +/-0.2mm
T	0.13mm REF
S	0.8mm +0.2/-0.3mm
F	1.2mm +/-0.1mm
A	1.2mm MIN
B	0.4mm +/-0.15mm
E	1.3mm REF
G	1.1mm REF
P	0.4mm REF
R	0.4mm REF
X	0.1mm +/-0.1mm

Packaging Specifications

Packaging T&R, 178mm

Packaging Quantity 2000

General Information

Series	T495
Dielectric	MnO2 Tantalum
Style	SMD Chip
Description	SMD, MnO2, Molded, Low ESR
Features	Low ESR
RoHS	Yes
Termination	Tin
AEC-Q200	No
Component Weight	58.6 mg
Shelf Life	156 Weeks
MSL	1

Specifications

Capacitance	3.3 uF
Capacitance Tolerance	10%
Voltage DC	6.3 VDC (85C), 4.22 VDC (125C)
Temperature Range	-55/+125°C
Rated Temperature	85°C
Dissipation Factor	6% 120Hz 25C
Failure Rate	N/A
Resistance	3000 mOhms (100kHz 25C)
Ripple Current	158 mA (rms, 100kHz 25C), 142.2 mA (rms, 85C), 63.2 mA (rms, 125C)
Leakage Current	0.5 uA (5min 25°C)

Statements of suitability for certain applications are based on our knowledge of typical operating conditions

for such applications, but are not intended to constitute - and we specifically disclaim - any warranty concerning suitability for a specific customer application or use. This Information is intended for use only by customers who have the requisite experience and capability to determine the correct products for their application. Any technical advice inferred from this Information or otherwise provided by us with reference to the use of our products is given gratis, and we assume no obligation or liability for the advice given or results obtained.

Generated 5/18/2023 - b2832002-280f-49e6-ae5e-7c212a457fbd

© 2006 - 2023 KEMET

Generated 5/18/2023 - b2832002-280f-49e6-ae5e-7c212a457fbd

© 2006 - 2023 KEMET