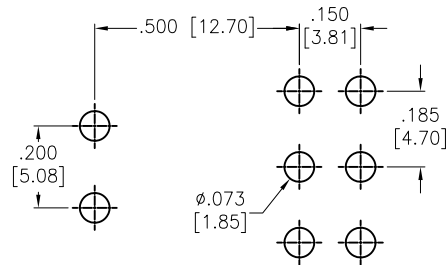
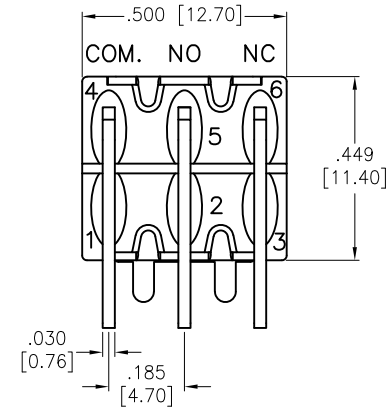
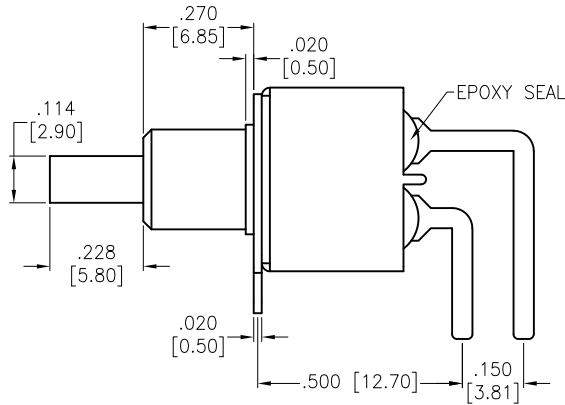
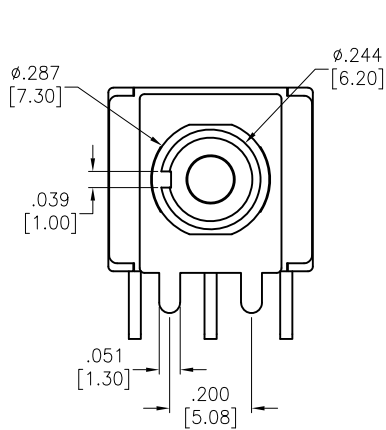
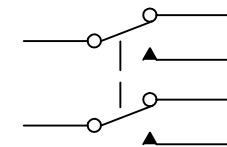


6	5	4	3	2	1
APPROVED: _____			Rev	AWO #	Description
DATE: _____ TITLE: _____			-		RELEASED
					Date
					2/17/21
					Appr



RECOMMENDED PCB LAYOUT



CIRCUIT DIAGRAM
(DPDT) ON-MOMENTARY

SPECIFICATIONS:

Material:
 Movable Contact: Copper Alloy, Silver Plated
 Terminal: Copper Alloy, Silver Plated
 Electrical:
 Voltage rating: 120VAC or 38VDC
 Current rating: 1 Amps
 Contact resistance: 10 mΩ max
 Insulation resistance: 1,000 Mohms min
 Dielectric withstanding voltage: 1,500V RMS @Sea level
 Temperature Rating:
 Operating temperature: -30°C to +85°C
 Environmental:
 Lead free, RoHS compliant



UNLESS OTHERWISE SPECIFIED ALL DIMENSIONS ARE INCHES [MM] TOLERANCES: EXCEPT AS NOTED INCHES HOLES .X ± .10 Ø.X ± .10 .XX ± .020 Ø.XX ± .015 .XXX ± .015 Ø.XXX ± .010		ADAM TECH 909 Rahway Avenue, Union, NJ 07083 Phone: 908-687-5000 Fax: 908-687-5710	
APPROVALS DRAWN LH CHECKED AC APPROVED		DATE 2/17/21 2/17/21	
TITLE SNAP-ACTING PUSH BUTTON SWITCH, RIGHT ANGLE DPDT, ON-MOMENTARY, SILVER PLATED, PCB TYPE		SIZE X	PART NO. SW-PB8-BB00B6QE-1
REF: S00198T		SCALE: NTS	REV. - SHEET 1 OF 1