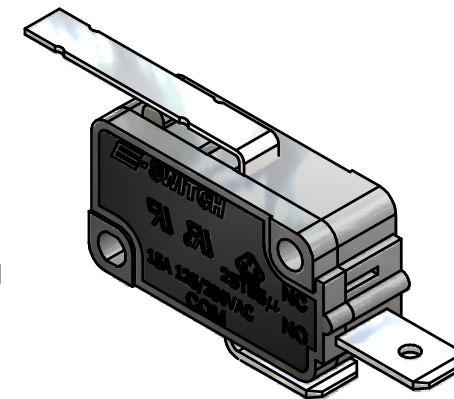
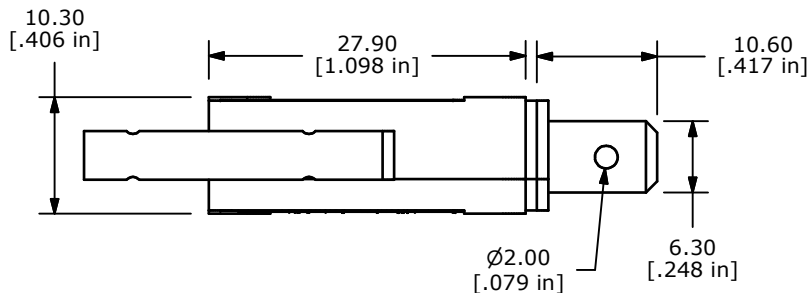
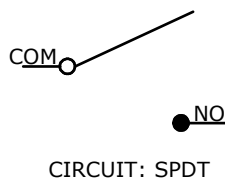
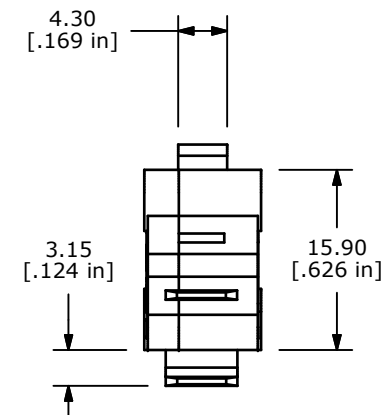
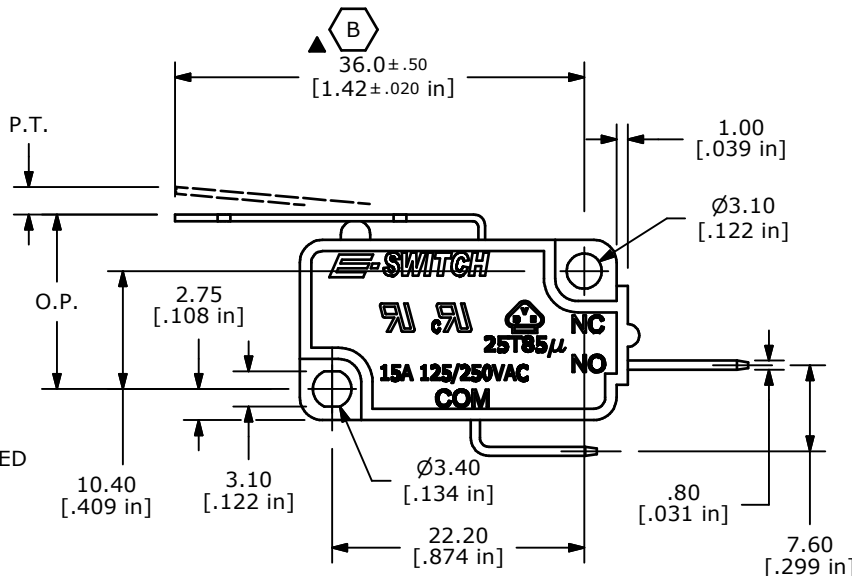


▲ O.P. (MM)	P.T. (MM)
15.5±0.8	4.1 MAX.

O.P. = OPERATING POINT
P.T. = PRE-TRAVEL



ISOMETRIC



NOTES:

1. ALL DIMENSIONS IN MM [INCH]
2. GENERAL TOLERANCE: X.X=±0.4
X.XX=±0.25
3. RATING: 15A @125/250VAC UL, CUL, VDE APPROVED
- ▲ 4. OPERATING FORCE: 45 ± 20 GRAMS
5. OPERATING TEMP: -25°C TO 85°C
6. ELECTRICAL LIFE: 50,000 CYCLES MIN.
7. MECHANICAL LIFE: 1,000,000 CYCLES TYP.
8. INSULATION RESISTANCE: 100 MEGA-OHMS MIN.
9. DIELECTRIC STRENGTH: 1500VAC 1 MINUTE (INITIAL VALUE)
10. CONTACT RESISTANCE: 100 MILLI-OHMS MAX.
11. ▲ DENOTES CRITICAL PARAMETER.
12. 2002/95/EC (ROHS) COMPLIANT

B	20757	36.0 WAS 36.6	9/17/12	EBP
A	18722	RELEASED FOR PRODUCTION	1/28/10	BLR
REV	PCR NO	DESCRIPTION	DATE	BY

THE INFORMATION CONTAINED IN THIS DOCUMENT IS PROPRIETARY TO E-SWITCH AND IS NOT TO BE COPIED OR TRANSFERRED



TITLE LS0851502F045C2C				
SCALE	DATE	DR	DWG	REV
1.5:1	1/28/2010	BLR	Q950084	B