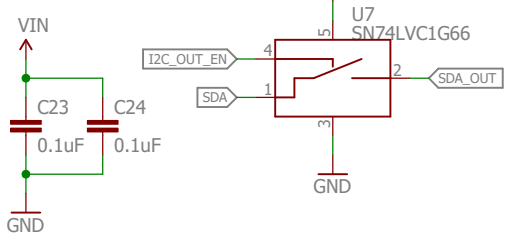
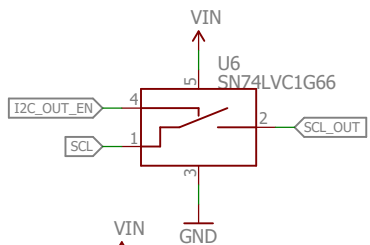
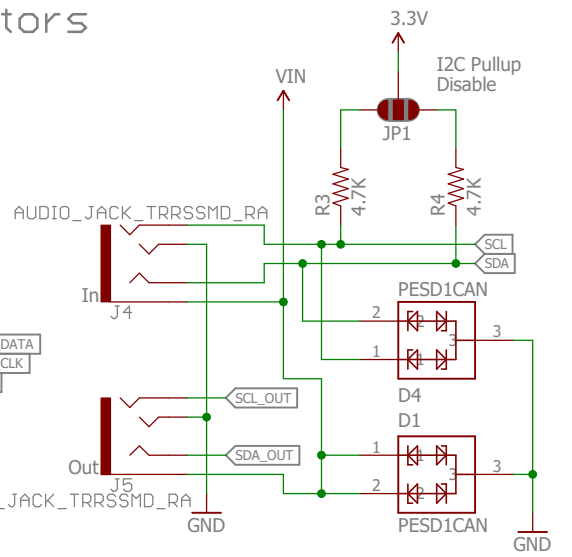
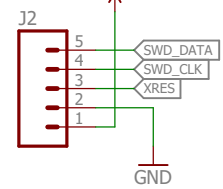
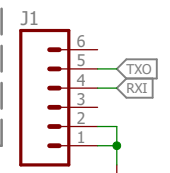


Power Supply

MCU Connectors



Released under the Creative Commons Attribution Share-Alike 4.0 License
<https://creativecommons.org/licenses/by-sa/4.0/>
 THIS IS A FOUR-LAYER BOARD!

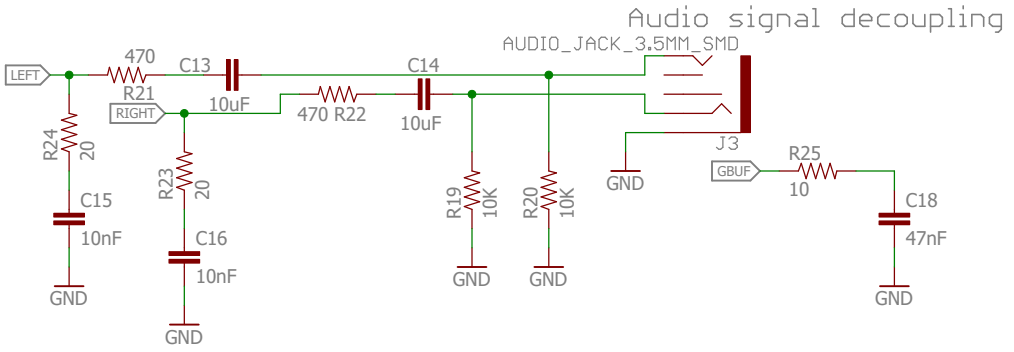
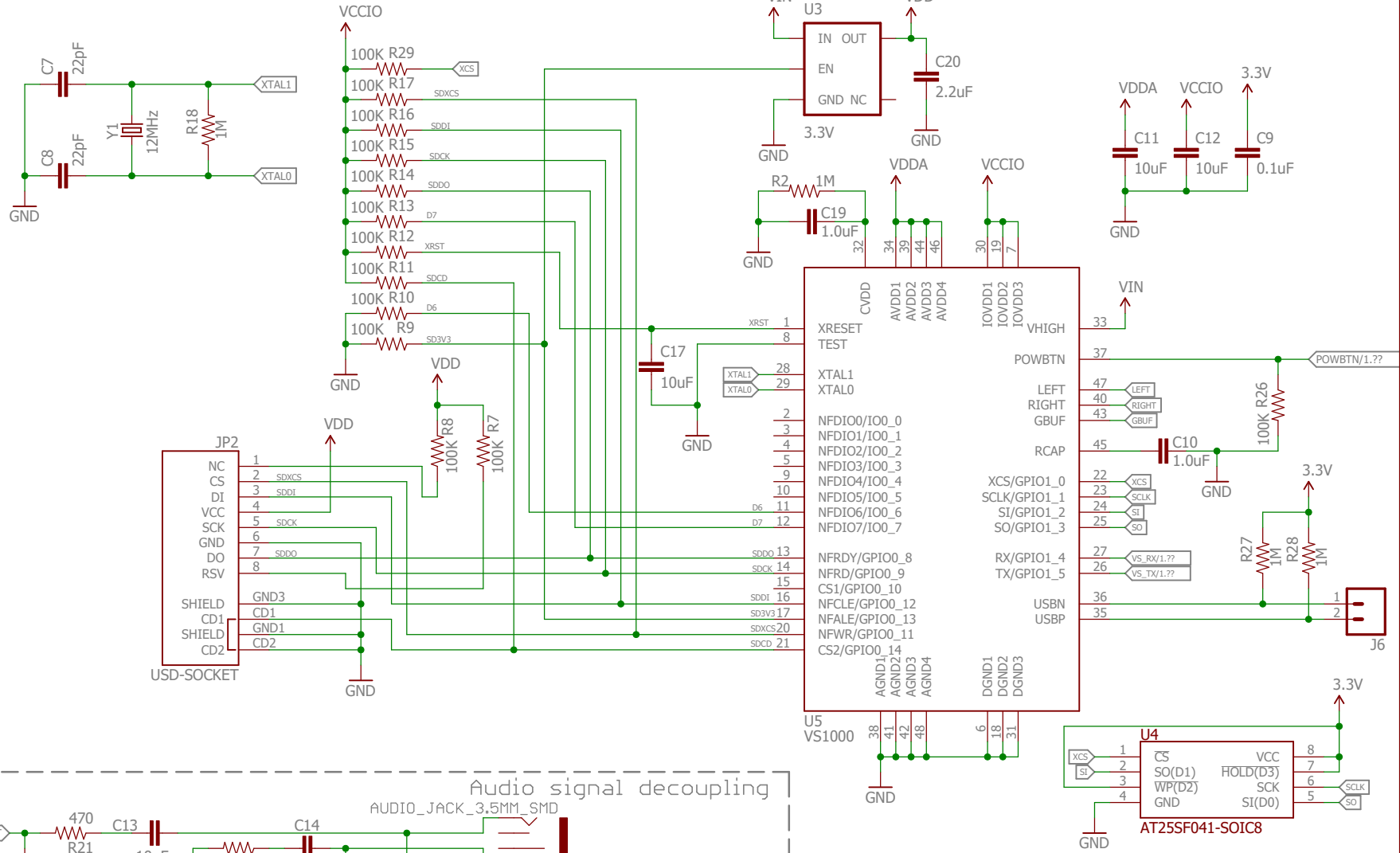
TITLE: Spectacle_Audio_Board

Design by: Mike Hord REV: 10

Date: 4/5/2017 9:58 AM Sheet: 1/2



US1000 Codec



Released under the Creative Commons Attribution Share-Alike 4.0 License
<https://creativecommons.org/licenses/by-sa/4.0/>

TITLE: Spectacle_Audio_Board

Design by: Mike Hord

REV: 10

Date: 4/5/2017 9:58 AM

Sheet: 2/2