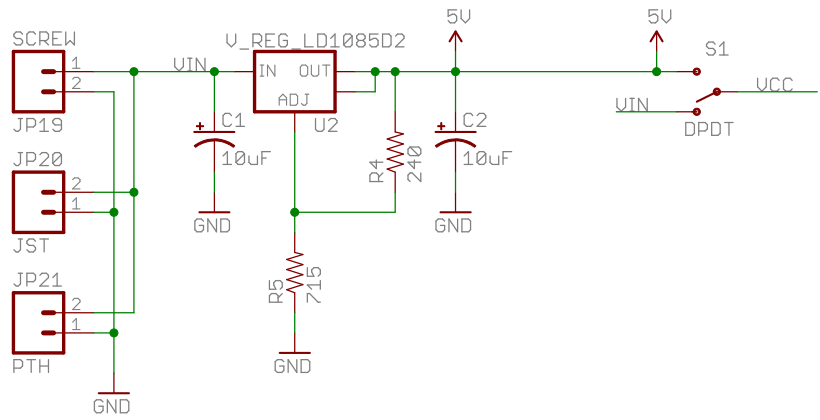
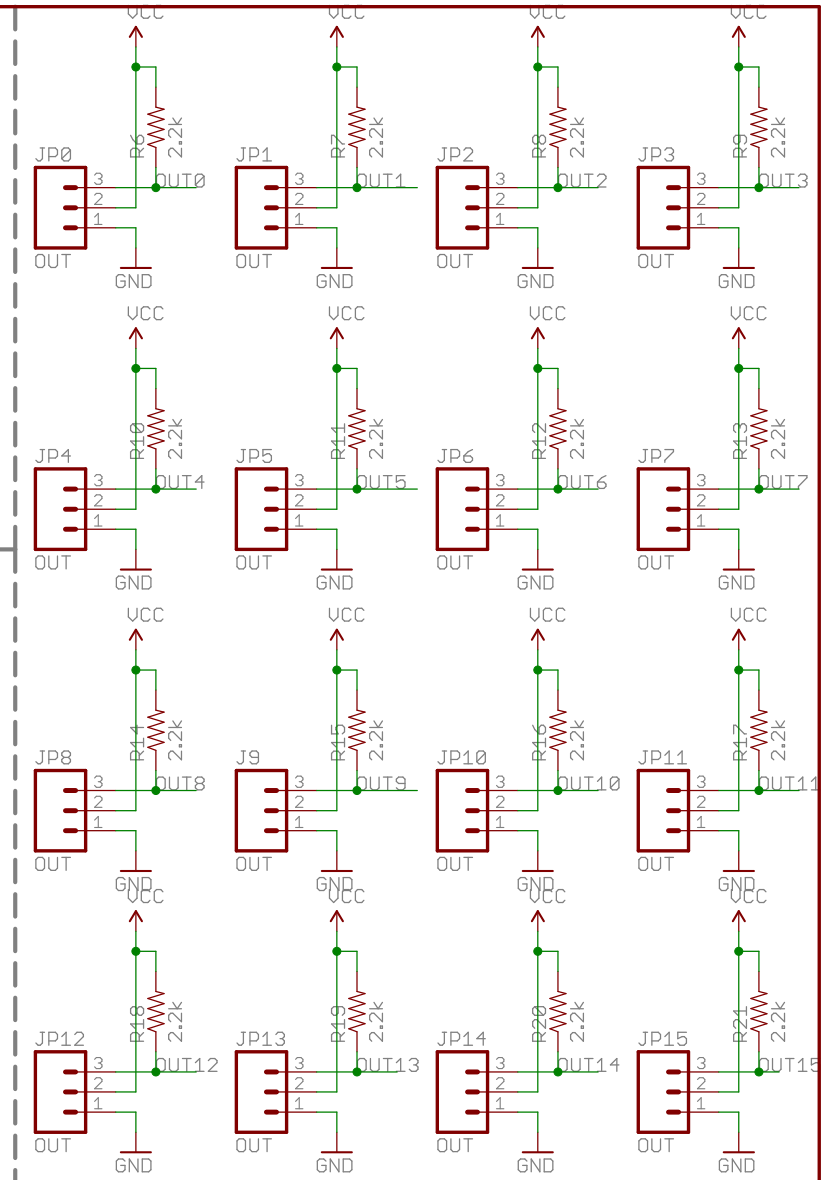
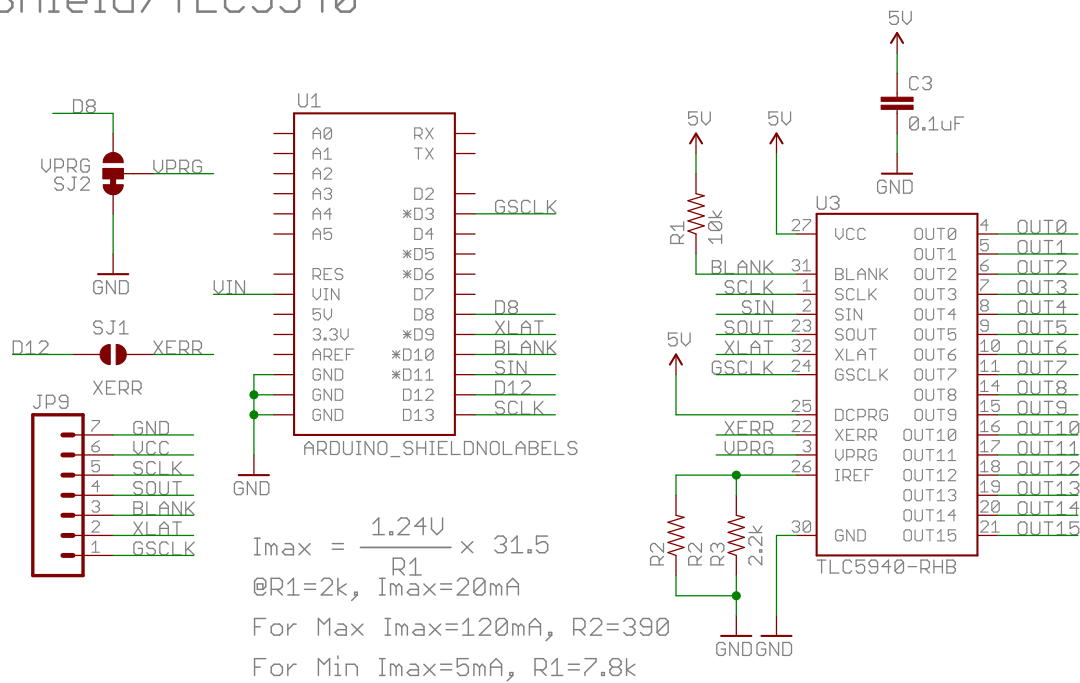


Voltage Input/Regulator



Shield/TLC5940



TITLE: PWM-Shield-v12		SFE	SFE	SFE
Document Number:			REV:	
Date: 7/13/2011 3:22:52 PM			Sheet: 1/1	



Released under the Creative Commons Attribution-ShareAlike 3.0 License
<http://creativecommons.org/licenses/by-sa/3.0>
 Design by: Jim Lindblom