

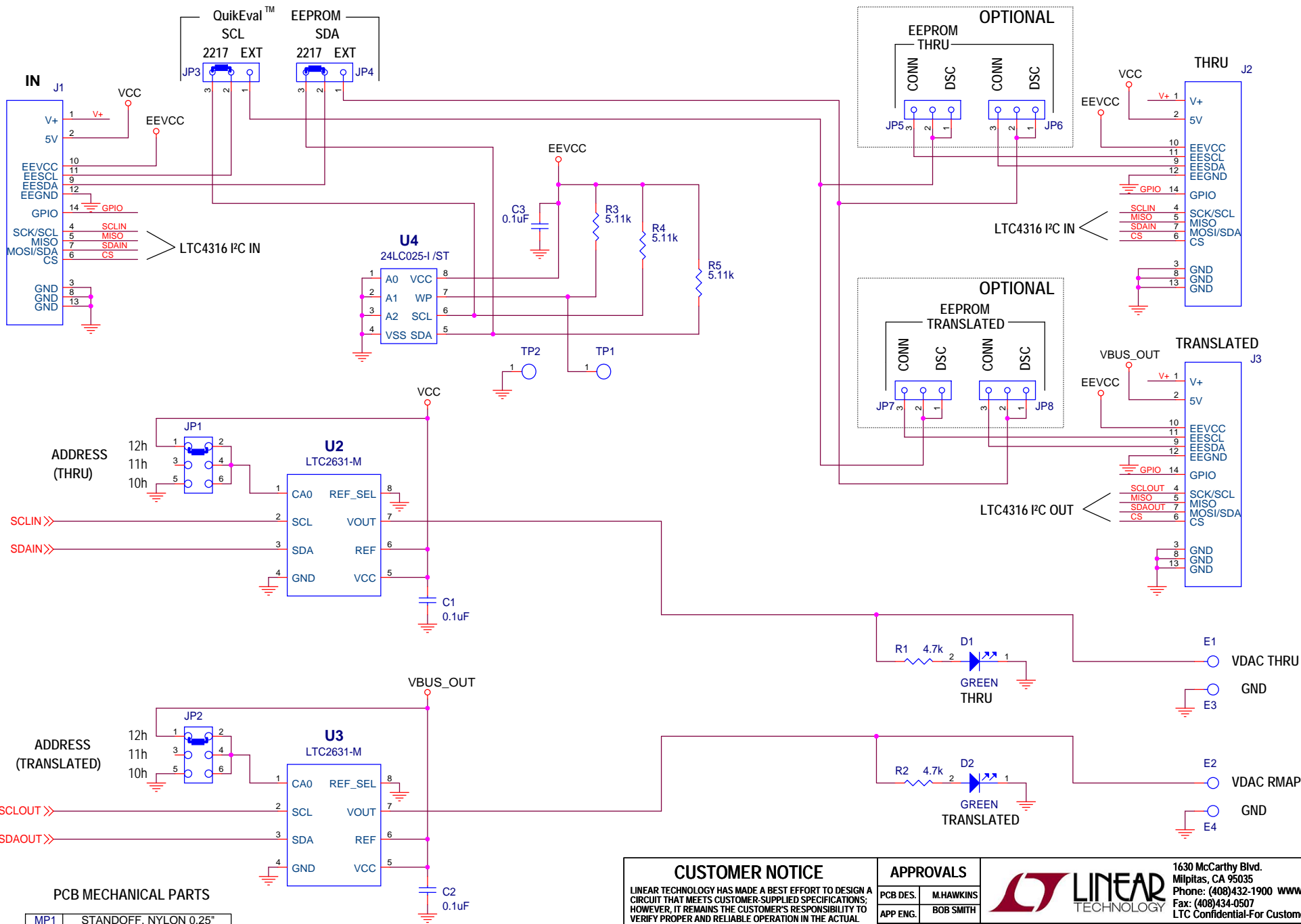
**CUSTOMER NOTICE**  
 LINEAR TECHNOLOGY HAS MADE A BEST EFFORT TO DESIGN A CIRCUIT THAT MEETS CUSTOMER-SUPPLIED SPECIFICATIONS; HOWEVER, IT REMAINS THE CUSTOMER'S RESPONSIBILITY TO VERIFY PROPER AND RELIABLE OPERATION IN THE ACTUAL APPLICATION. COMPONENT SUBSTITUTION AND PRINTED CIRCUIT BOARD LAYOUT MAY SIGNIFICANTLY AFFECT CIRCUIT PERFORMANCE OR RELIABILITY. CONTACT LINEAR TECHNOLOGY APPLICATIONS ENGINEERING FOR ASSISTANCE.

THIS CIRCUIT IS PROPRIETARY TO LINEAR TECHNOLOGY AND SUPPLIED FOR USE WITH LINEAR TECHNOLOGY PARTS.

APPROVALS	
PCB DES.	M.HAWKINS
APP ENG.	BOB SMITH
SIZE:	N/A
IC NO.	<b>LTC4316</b>
SCALE =	NONE

1630 McCarthy Blvd.  
 Milpitas, CA 95035  
 Phone: (408)432-1900 www.linear.com  
 Fax: (408)434-0507  
 LTC Confidential-For Customer Use Only

TITLE: DEMO CIRCUIT SCHEMATIC,	
<b>I<sup>2</sup>C / SMBUS TRANSLATOR</b>	
SKU NO. <b>DC2217A</b>	SCHEMATIC NO. AND REVISION: <b>710-DC2217A_REV02</b>
DATE: Friday, June 05, 2015	
SHEET 1 OF 2	



**PCB MECHANICAL PARTS**

MP1	STANDOFF, NYLON 0.25"
MP2	STANDOFF, NYLON 0.25"
MP3	STANDOFF, NYLON 0.25"
MP4	STANDOFF, NYLON 0.25"

<p><b>CUSTOMER NOTICE</b></p> <p>LINEAR TECHNOLOGY HAS MADE A BEST EFFORT TO DESIGN A CIRCUIT THAT MEETS CUSTOMER-SUPPLIED SPECIFICATIONS; HOWEVER, IT REMAINS THE CUSTOMER'S RESPONSIBILITY TO VERIFY PROPER AND RELIABLE OPERATION IN THE ACTUAL APPLICATION. COMPONENT SUBSTITUTION AND PRINTED CIRCUIT BOARD LAYOUT MAY SIGNIFICANTLY AFFECT CIRCUIT PERFORMANCE OR RELIABILITY. CONTACT LINEAR TECHNOLOGY APPLICATIONS ENGINEERING FOR ASSISTANCE.</p>		<p><b>APPROVALS</b></p> <p>PCB DES. M.HAWKINS APP ENG. BOB SMITH</p>		<p>1630 McCarthy Blvd. Milpitas, CA 95035 Phone: (408)432-1900 www.linear.com Fax: (408)434-0507 LTC Confidential-For Customer Use Only</p>	
		<p>SIZE: N/A</p>			<p>TITLE: DEMO CIRCUIT SCHEMATIC, <b>I<sup>2</sup>C / SMBUS TRANSLATOR</b></p>
<p>THIS CIRCUIT IS PROPRIETARY TO LINEAR TECHNOLOGY AND SUPPLIED FOR USE WITH LINEAR TECHNOLOGY PARTS.</p>		<p>IC NO. <b>LTC4316</b></p>		<p>SKU NO. <b>DC2217A</b></p>	
<p>SCALE = NONE</p>		<p>DATE: Friday, June 05, 2015</p>		<p>SCHEMATIC NO. AND REVISION: <b>710-DC2217A_REV02</b></p>	