

**IE-XR-RJ45/RJ45-2****Weidmüller Interface GmbH & Co. KG**Klingenbergstraße 26  
D-32758 Detmold  
Germany

www.weidmueller.com



IE plug-in connectors, IP20, for copper and fibre optic cables

**General ordering data**

Version	Mounting flange, Cat.6 <sub>A</sub> / Class E <sub>A</sub> (ISO/IEC 11801 2010), IP20
Order No.	<a href="#">8952950000</a>
Type	IE-XR-RJ45/RJ45-2
GTIN (EAN)	4032248744329
Qty.	24 pc(s).

## IE-XR-RJ45/RJ45-2

Weidmüller Interface GmbH &amp; Co. KG

Klingenbergstraße 26

D-32758 Detmold

Germany

www.weidmueller.com

## Technical data

## Dimensions and weights

Net weight	21.333 g
------------	----------

## Temperatures

Operating temperature	-40 °C...70 °C	Operating temperature, min.	-40 °C
Operating temperature, max.	70 °C		

## General data

Category	Cat.6<sub>A</sub> / Class E<sub>A</sub> (ISO/IEC 11801 2010)	Shielding	360° shield contact
Protection degree	IP20	Insertion force	≤ 30 N

## Electrical properties

Contact resistance	≤ 20 mΩ	Current-carrying capacity at 50 °C	1 A
Dielectric strength, contact / contact	≥ 1000 V DC	Dielectric strength, contact / shield	≤ 1500 V DC
PoE / PoE+	conforming to IEEE 802.3at		

## General standards

Connector standard	IEC 60603-7-5
--------------------	---------------

## Classifications

ETIM 6.0	EC001121	ETIM 7.0	EC001121
ETIM 8.0	EC001121	ECLASS 9.0	27-44-03-90
ECLASS 9.1	27-44-03-90	ECLASS 10.0	27-44-03-90
ECLASS 11.0	27-44-03-90	ECLASS 12.0	27-44-03-90

## Approvals

Approvals



ROHS	Conform
------	---------

## Downloads

Engineering Data	<a href="#">CAD data – STEP</a>
User Documentation	<a href="#">MAN IE GUIDE DE</a> <a href="#">MAN IE GUIDE EN</a>
Catalogues	<a href="#">Catalogues in PDF-format</a>
Brochures	<a href="#">FL FIELDWIRING EN</a> <a href="#">PI PROFINET CABLING EN</a> <a href="#">PI PROFINET CABLING EN</a>

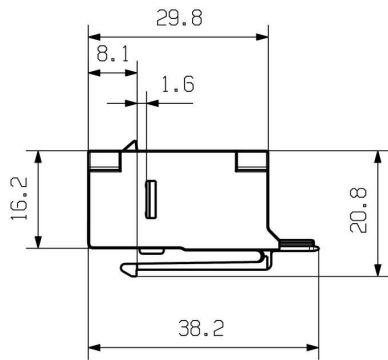
**IE-XR-RJ45/RJ45-2**

**Weidmüller Interface GmbH & Co. KG**  
Klingenbergstraße 26  
D-32758 Detmold  
Germany

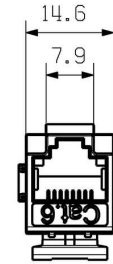
[www.weidmueller.com](http://www.weidmueller.com)

**Drawings**

**Dimensioned drawing**



**Dimensioned drawing**



**Installation cut-out**

