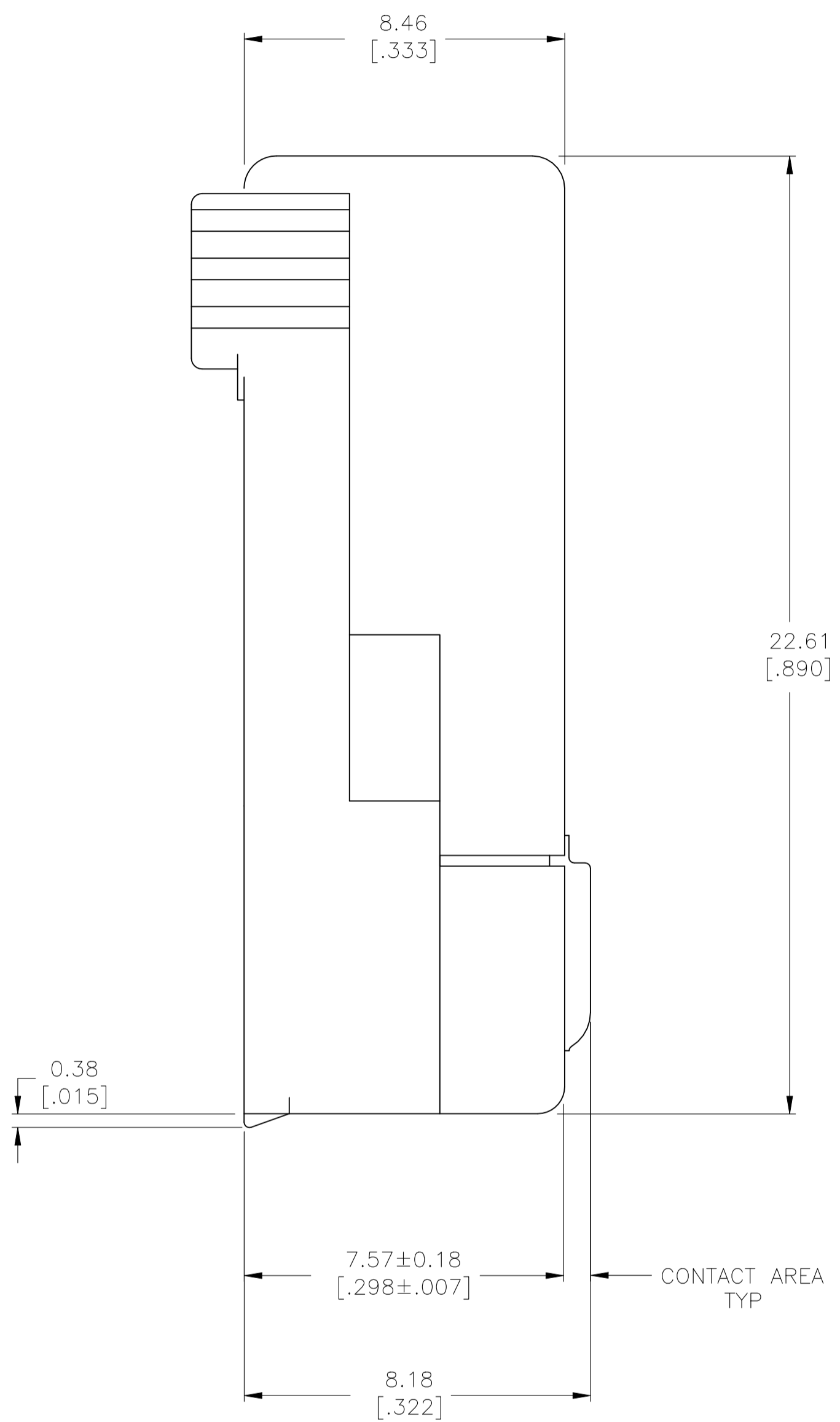
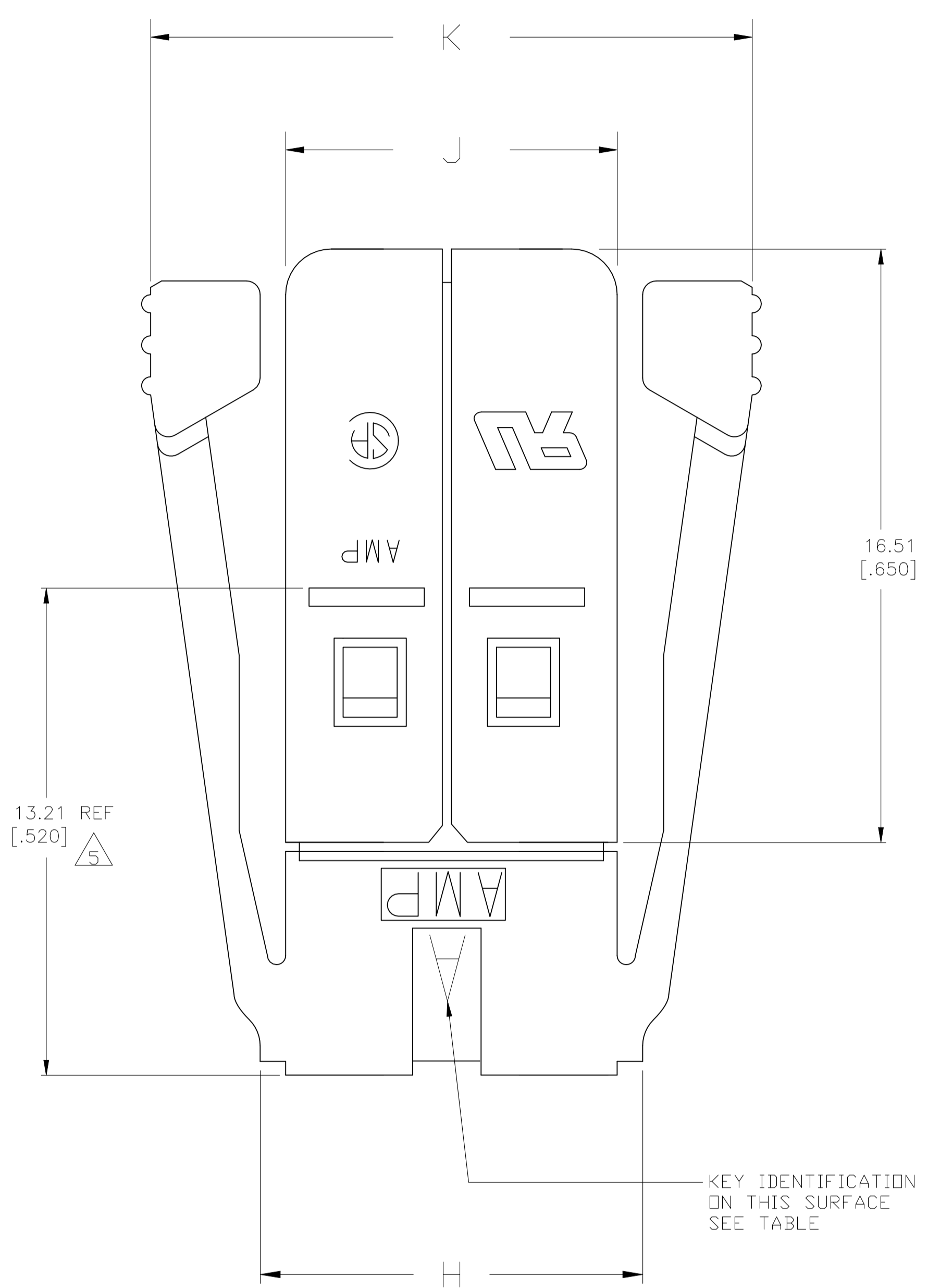
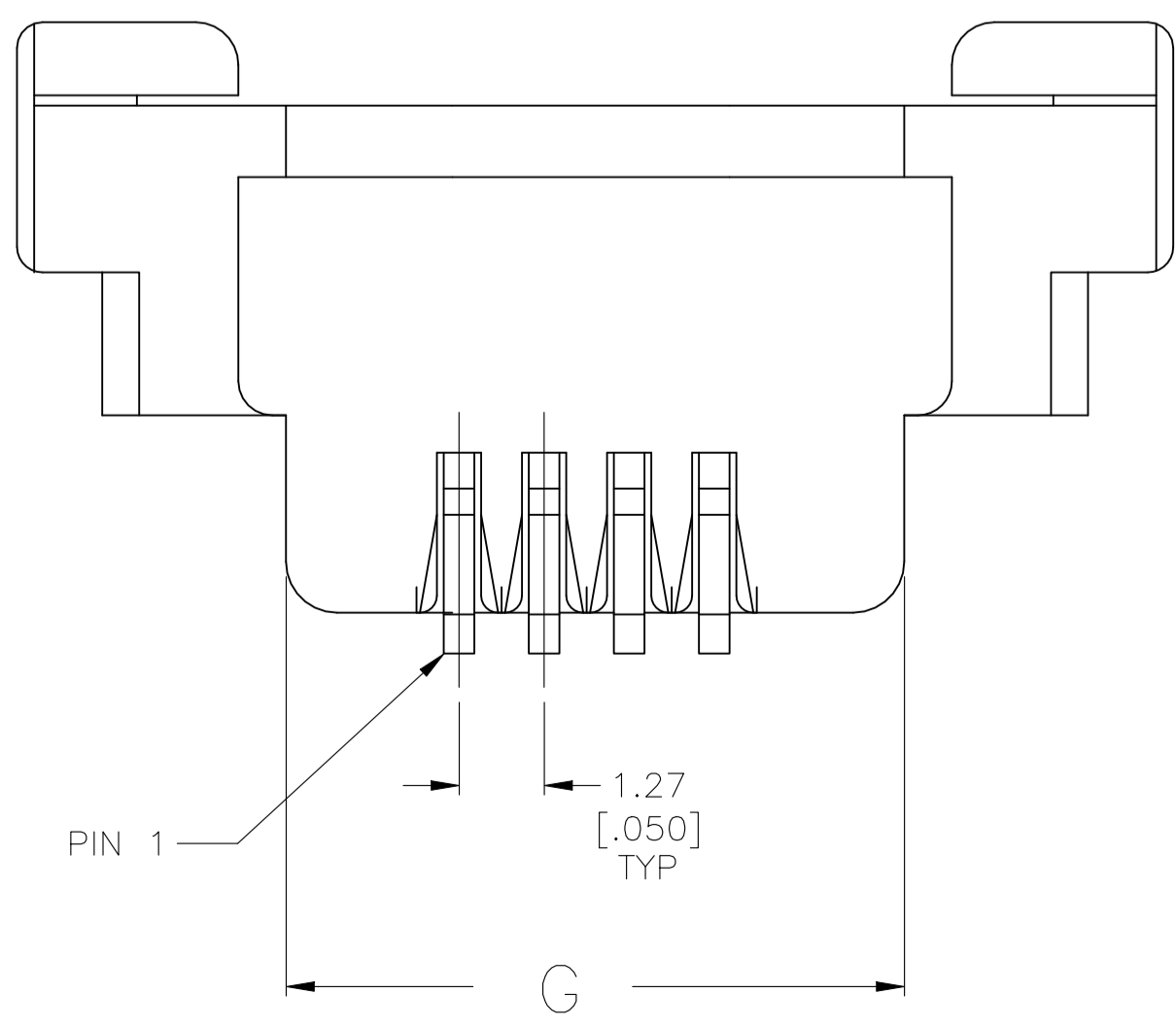


REVISIONS				
REV	DESCRIPTION	DATE	BY	APP'D
B1	ECC-21-001948	15FEB2021	RR	SZ



KEY IDENTIFICATION LETTER ON THIS SURFACE SEE TABLE



1. PREFIX AND SUFFIX NUMBERS MUST MATCH THOSE ON RECEPTACLE FOR PARTS TO MATE.
- 2 MATERIAL:
 - HOUSING- POLYCARBONATE
 - CONTACT- COPPER ALLOY
 - SHIELD- BRASS
- 3 FINISH:
 - HOUSING- SMOKE GRAY
 - CONTACT- 0.00127[.000050] MIN NICKEL OVER ENTIRE PART, 0.00002[.000001] GOLD FLASH OVER ENTIRE PART, 0.00127[.000050] MIN GOLD OVER CONTACT AREA.
 - SHIELD: 0.00076[.000030] BRIGHT TIN OVER 0.00127[.000050] MIN NICKEL.
- 4 CABLES SHOULD MEET AMP DRAWING SPECIFICATIONS 520471-1.
- 5 INSERTION DEPTH INTO RECEPTACLE.
6. BULK CABLE ARE NOT AVAILABLE FROM AMP INC.
- 7 CABLES SHOULD MEET AMP DRAWING SPECIFICATIONS 520475-1.
- 8 CABLES SHOULD MEET AMP DRAWING SPECIFICATIONS 520477-1.
- 9 CABLES SHOULD MEET AMP DRAWING SPECIFICATIONS 520473-1.
10. FOR TERMINATION OF 24 AWG, 7 STRANDED, FLAT RIBBON CABLE WITH 1.27[.050] NOMINAL O.D. CONDUCTOR INSULATION PER LISTED DRAWING SPECIFICATIONS.
- 11 OBSOLETE PARTS: OBSOLETE CIS STREAMLINING PER D.RENAUD/D.SINISI

	32.11 [1.264]	24.76 [.975]	25.70 [1.012]	24.59 [.968]	16	E	8	5-1761184-6
	21.95 [.864]	14.60 [.575]	15.54 [.612]	14.43 [.568]	8	E	7	5-1761184-3
OBSOLETE	19.40 [.764]	12.06 [.475]	13.00 [.512]	11.89 [.468]	6	E	9	5-1761184-2
	16.87 [.664]	9.52 [.375]	10.46 [.412]	9.35 [.368]	4	E	4	5-1761184-1
	16.87 [.664]	9.52 [.375]	10.46 [.412]	9.35 [.368]	4	D	4	4-1761184-1
OBSOLETE	21.95 [.864]	14.60 [.575]	15.54 [.612]	14.43 [.568]	8	C	7	3-1761184-3
11 OBSOLETE	19.40 [.764]	12.06 [.475]	13.00 [.512]	11.89 [.468]	6	C	9	3-1761184-2
OBSOLETE	16.87 [.664]	9.52 [.375]	10.46 [.412]	9.35 [.368]	4	C	4	3-1761184-1
OBSOLETE	16.87 [.664]	9.52 [.375]	10.46 [.412]	9.35 [.368]	4	B	4	2-1761184-1
OBSOLETE	32.11 [1.264]	24.76 [.975]	25.70 [1.012]	24.59 [.968]	16	A	8	1-1761184-6
	21.95 [.864]	14.60 [.575]	15.54 [.612]	14.43 [.568]	8	A	7	1-1761184-3
OBSOLETE	19.40 [.764]	12.06 [.475]	13.00 [.512]	11.89 [.468]	6	A	9	1-1761184-2
	16.87 [.664]	9.52 [.375]	10.46 [.412]	9.35 [.368]	4	A	4	1-1761184-1
	K	J	H	G	NO OF POSN	KEY I.D. LETTER	PART NO	

THIS DRAWING IS A CONTROLLED DOCUMENT.

DIMENSIONS:	TOLERANCES UNLESS OTHERWISE SPECIFIED:	DIN B1 MCMASITER 21APR04	APPROD C. ROHDE 21APR04	NAME	PLUG ASSY, FLAT CABLE, 50 SERIES, SDL
mm [INCHES]	0. PLC ± -	APPROD M. WALMSLEY 21APR04	PRODUCT SPEC	108-2047	SIZE
	1. PLC ± -	APPLICATION SPEC	114-2086	114-2086	CAGE CODE
	2. PLC ± 0.25 [.010]	WEIGHT	0.000000	A1 00779	DRAWING NO
	3. PLC ± -	CUSTOMER DRAWING	SCALE	5:1	SHEET
	4. PLC ± -	RESTRICTED TO	REV	B1	

4805 (1/15)