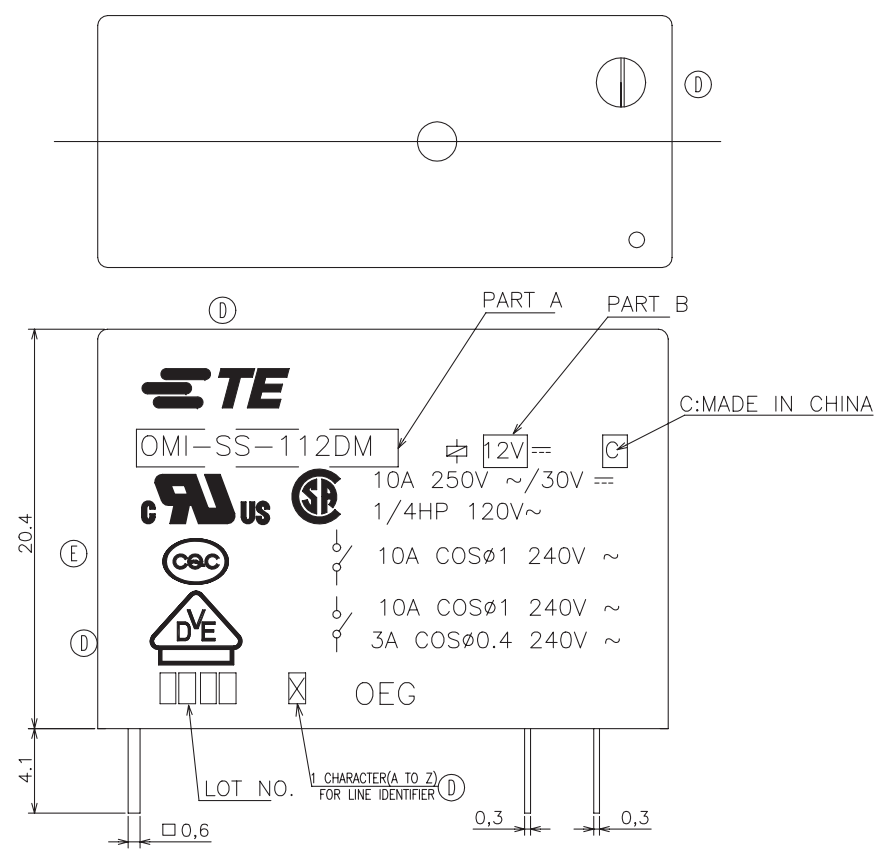
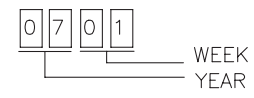


THIS DRAWING IS UNPUBLISHED. RELEASED FOR PUBLICATION
 © COPYRIGHT - By - ALL RIGHTS RESERVED.

LOC	DIST	REVISIONS				
P	LTR	DESCRIPTION	DATE	DWN	APVD	
HB	-	E	CHANGE BASE MATERIAL TO PBT, DIMENSION CHANGE, CANCEL SEMKO ECN-21-111227	15-JUL-21	XR.L	K.T



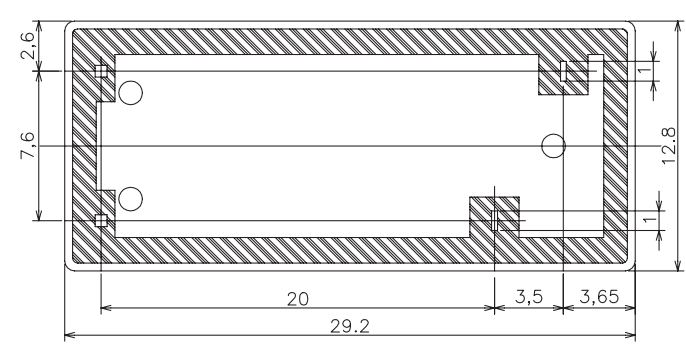
NOTES:
 1.-SS-:PLASTIC SEALD TYPE
 2.LOT NO. SYSTEM AS FOLLOWING:



3.GENERAL TOLERANCE AS FOLLOWING:

TOLERANCE	
0~0.99mm	±0.1
1mm~2.99mm	±0.2
3mm MIN.	±0.3

④ 4.TERMINAL DIMENSION IS NOT INCLUDING SOLDER TIP.
 FOR THE TIN-PLATING OF THE PINS:
 +0.1mm FOR WIDTH,THICKNESS AND DIAMETER.
 +0.5mm FOR LENGTH.



THIS DRAWING IS A CONTROLLED DOCUMENT.		DWN H.SASAKI	TE Connectivity OMI CUSTOMER DRAWING			
DIMENSIONS: mm		CHK Y.OIKAWA				NAME
TOLERANCES UNLESS OTHERWISE SPECIFIED:		APVD A.NAGAI	PRODUCT SPEC			
0 PLC ±- 1 PLC ±- 2 PLC ±- 3 PLC ±- 4 PLC ±- ANGLES ±- FINISH ±-		APPLICATION SPEC	DRAWING NO			
MATERIAL		WEIGHT	SIZE A3	CAGE CODE 00779	DRAWING NO C=1721089	RESTRICTED TO
CUSTOMER DRAWING			SCALE 1:1	SHEET 1 of 2	REV E	

4

3

2

1

THIS DRAWING IS UNPUBLISHED. RELEASED FOR PUBLICATION - , - .
 © COPYRIGHT - By - ALL RIGHTS RESERVED.

LOC	DIST	REVISIONS					
HB	-	P	LTR	DESCRIPTION	DATE	DWN	APVD

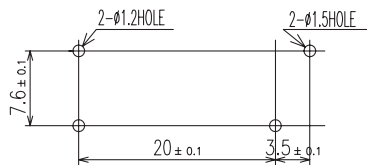
6-1440000-5	OMI-SS-148LM	48V	OMI-SS-148LM
6-1440000-1	OMI-SS-124LM	24V	OMI-SS-124LM
5-1440000-9	OMI-SS-124DM	24V	OMI-SS-124DM
5-1440000-7	OMI-SS-112LM	12V	OMI-SS-112LM
5-1440000-5	OMI-SS-112DM	12V	OMI-SS-112DM
5-1440000-2	OMI-SS-106LM	6V	OMI-SS-106LM
4-1440000-9	OMI-SS-105LM	5V	OMI-SS-105LM
4-1440000-7	OMI-SS-105DM	5V	OMI-SS-105DM
1721089-1	OMI-SS-103LM	3V	OMI-SS-103LM
TE PART NO	DESCRIPTION	PART B	PART A

RELAY TYPE

CONNECTION DIAGRAM (BOTTOM VIEW)



DRILLING DIAGRAM(2/1) (BOTTOM VIEW)



		EPOXY RESIN	RESIN	15
UL94 V-0		PBT	CASE	14
CLASS E		UEW	MAGNETIC WIRE	13
UL94 V-0		PBT (E)	BASE	12
UL94 V-0		PBT	BOBBIN	11
	SOLDER DIP	CP WIRE	COIL TERMINAL	10
UL94 V-0		PPS	CARD	9
		Ag ALLOY	MOVABLE CONTACT	8
		Ag ALLOY	STATIONARY CONTACT	7
		Cu ALLOY	HINGE SPRING	6
	SOLDER DIP	Cu ALLOY	STATIONARY TERMINAL	5
	SOLDER DIP	Cu ALLOY	MOVABLE SPRING	4
		STEEL	CORE	3
		STEEL	ARMATURE	2
		STEEL	YOKE	1
INCOMBUSTIBILITY	TREATMENT	MATERIAL	DESCRIPTION	ITEM

THIS DRAWING IS A CONTROLLED DOCUMENT.		DWN H.SASAKI	TE Connectivity OMI CUSTOMER DRAWING			
DIMENSIONS: mm		CHK Y.OIKAWA				
		APVD A.NAGAI	NAME	-		
TOLERANCES UNLESS OTHERWISE SPECIFIED: 0 PLC ±- 1 PLC ±- 2 PLC ±- 3 PLC ±- 4 PLC ±- ANGLES ±- FINISH		PRODUCT SPEC	-			
MATERIAL		APPLICATION SPEC	SIZE	CAGE CODE	DRAWING NO	RESTRICTED TO
-		WEIGHT	A3	00779	C=1721089	-
CUSTOMER DRAWING			SCALE	1:1	SHEET	2 OF 2
					REV	E