

**NOTES**

- 1. 端子テール部及びネイルの平坦度:0.1 MAX  
TAIL AND NAIL COPLANARITY TO BE 0.1 MAX
- △2 極数/2 = 偶数に適用  
APPLY FOR CIRCUIT SIZE / 2 =EVEN
- △3 関連製品、書類はSHEET 5を参照のこと  
REFER TO SHEET 5 ABOUT RELATED PRODUCTS OR DOCUMENTS.
- △4 オーダー番号(製品番号) : SHEET 6の製品一覧を参照ください  
ORDER No (MATERIAL No) : REFER TO SHEET 6 FOR PRODUCT LIST

**213225 \*\*\*\***

シリーズ番号 ↑ 極数 ↑ 色 ↑  
SERIES NO CIRCUIT SIZE COLOR  
金めつき厚 ↑  
GOLD PLATING THICKNESS

| CIRCUIT | No. | GOLD THK [micro-meters] | No. | COLOR         |
|---------|-----|-------------------------|-----|---------------|
| 02 ~ 15 | 1   | 0.1                     | 0   | ナチュラル NATURAL |
|         | 3   | 0.38                    | 1   | 黒 BLACK       |
|         | 7   | 0.76                    |     |               |

|      |       |         |      |       |      |              |   |
|------|-------|---------|------|-------|------|--------------|---|
| 25   | ±0.25 | 21      | 26.8 | ±0.25 | 15   |              |   |
| 23.5 |       | 19.5    | 25.3 |       | 14   |              |   |
| 22   |       | 18      | 23.8 |       | 13   |              |   |
| 20.5 |       | 16.5    | 22.3 |       | 12   |              |   |
| 19   |       | 15      | 20.8 |       | 11   |              |   |
| 17.5 |       | 13.5    | 19.3 |       | 10   |              |   |
| 16   |       | 12      | 17.8 |       | 9    |              |   |
| 14.5 |       | 10.5    | 16.3 |       | 8    |              |   |
| 13   |       | 9       | 14.8 |       | 7    |              |   |
| 11.5 |       | 7.5     | 13.3 |       | 6    |              |   |
| 10   |       | 6       | 11.8 |       | 5    |              |   |
| 8.5  |       | (±0.20) | 4.5  |       | 10.3 | (±0.20)      | 4 |
| 7    |       |         | 3    |       | 8.8  |              | 3 |
| 5.5  |       |         | 1.5  |       | 7.3  |              | 2 |
|      |       | C       | B    |       | A    | 極数<br>CKT NO |   |

| 番号 NO. | 部品 PART        | 材質 MATERIAL  |  |
|--------|----------------|--|--|
| ①      | ハウジング HOUSING  | ポリアミド(PA) UL94V-0 色 : SEE CHART<br>POLYAMIDE(PA) UL94V-0 COLOR : SEE CHART |  |
| ②      | ターミナル TERMINAL | 銅合金<br>COPPER ALLOY  |  |
|        |                | コンタクト部<br>CONTACT AREA   | 金めつき : 製品一覧参照<br>GOLD PLATING : SEE PRODUCT LIST                         |
|        |                | テール部<br>TAIL AREA  | 無光沢錫めつき : 1.0 micro-meter MIN<br>MATTE TIN PLATING : 1.0 micro-meter MIN |
| ③      | ネイル NAIL       | 下地めつき(全面)<br>UNDER PLATING (WHOLE SURFACE)                                 | ニッケルめつき : 2.0 micro-meters MIN<br>NICKEL PLATING : 2.0 micro-meters MIN  |
|        |                | 黄銅<br>BRASS  | 無光沢錫めつき : 1.0 micro-meter MIN<br>MATTE TIN PLATING                       |
|        |                | ニッケルめつき(下地) : 1.0 micro-meter MIN<br>NICKEL PLATING (UNDER PLATING)        |  |

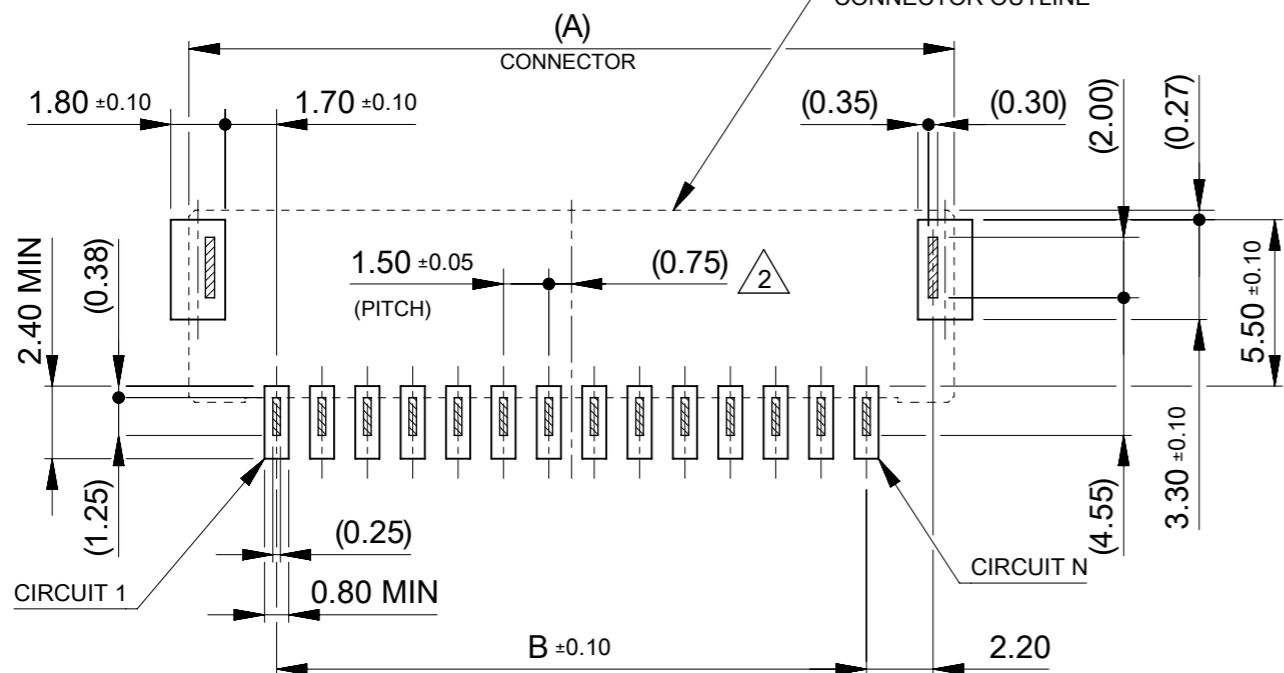
THIS DRAWING CONTAINS INFORMATION THAT IS PROPRIETARY TO MOLEX ELECTRONIC TECHNOLOGIES, LLC AND SHOULD NOT BE USED WITHOUT WRITTEN PERMISSION

|  |                        |                             |  |                 |          |
|--|------------------------|-----------------------------|--|-----------------|----------|
| DIMENSION UNITS                                      | SCALE                  | CURRENT REV DESC:           | <b>molex</b>   |                 |          |
| mm   | NTS                    |                             |  |                 |          |
| GENERAL TOLERANCES (UNLESS SPECIFIED)                |                        |                             | CLIK-MATE 1.5<br>SINGLE ROW SMT VT TYPE REC ASSY<br>GOLD PLATING |                 |          |
| ANGULAR TOL  | ± 3.0 °                | EC NO: 701023               | PRODUCT CUSTOMER DRAWING   |                 |          |
| 4 PLACES   | ± 0.2                  | DRWN: MIKEDA01 2022/03/28   | DOCUMENT NUMBER  |                 |          |
| 3 PLACES   | ± 0.2                  | CHK'D: SAKIYAMA 2022/05/09  | DOC TYPE   |                 |          |
| 2 PLACES   | ± 0.2                  | APPR: AIDA 2022/05/09       | DOC PART   |                 |          |
| 1 PLACE  | ± 0.2                  | INITIAL REVISION:           | REVISION   |                 |          |
| 0 PLACES   | ± 0.2                  | DRWN: MIKEDA01 2019/11/07   | 2132250000-SD  |                 |          |
|  |                        | APPR: KOMURAKAMI 2019/11/20 | PSD 000 E  |                 |          |
| DRAFT WHERE APPLICABLE MUST REMAIN WITHIN DIMENSIONS | THIRD ANGLE PROJECTION | DRAWING                     | SERIES   | MATERIAL NUMBER | CUSTOMER |
|  |                        | A3-SIZE                     | 213225   | GENERAL         | 1 OF 6   |



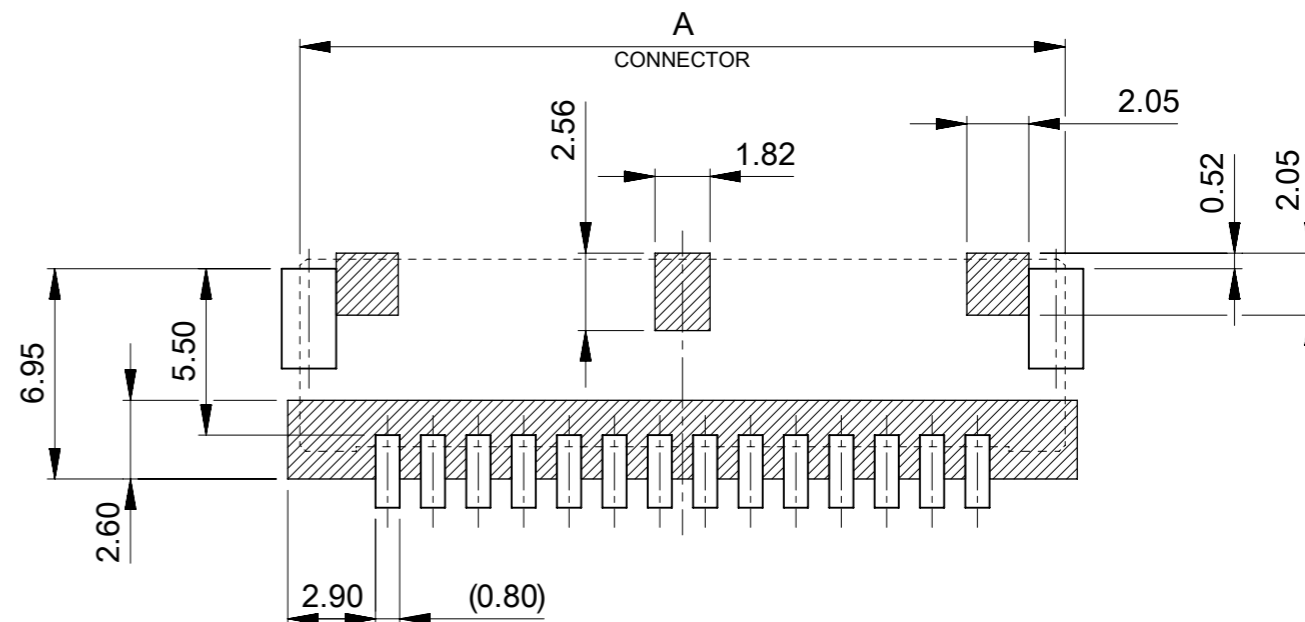
製品レイアウト  
PRODUCT LAYOUT

コネクタ外形  
CONNECTOR OUTLINE



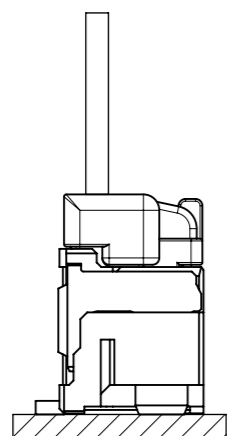
基板レイアウト(参考)

PCB PATTERN LAYOUT (REFERENCE)  
(参考:メタルマスク厚さ 0.10mm, マスク開口率100%)  
(REFERENCE:METAL MASK THICKNESS 0.10mm, APERTURE RATIO 100%)

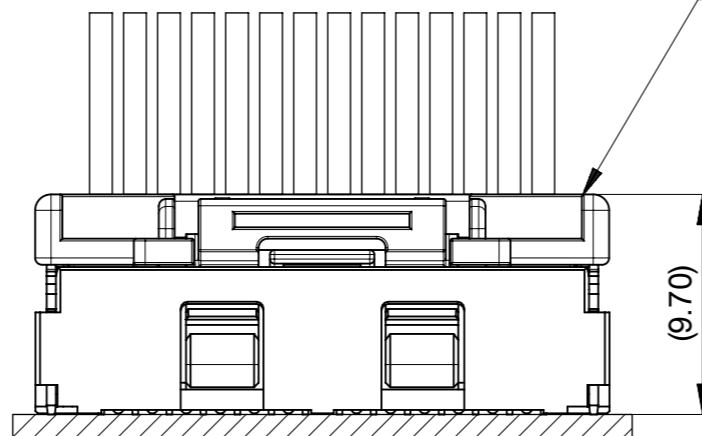


パターン非推奨エリア

パターンを引き回す際は、製品機能に影響がないことをご確認ください。  
PATTERN IS NOT RECCOMENDED ON THE HATCHED AREA.  
PLEASE CHECK NOT TO HAVE PROBLEM FOR PRODUCT FUNCTION  
WHEN SETTING PATTERN ON THE HATCHED AREA.



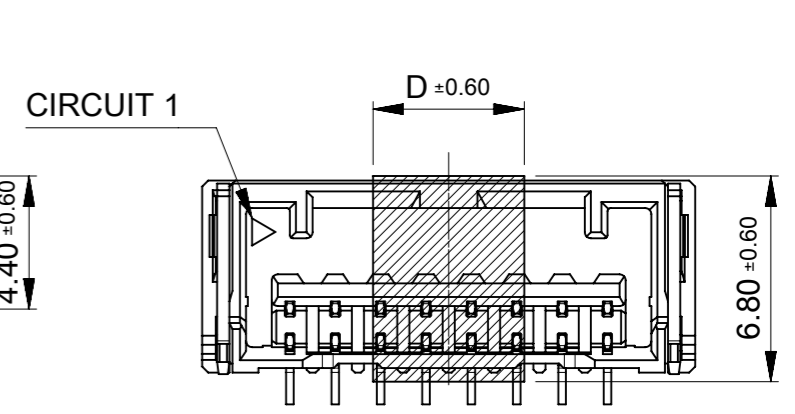
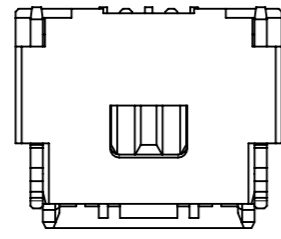
MATED CONNECTORS



嵌合相手 : 502578 シリーズ  
MATE WITH : 502578 SERIES

|   |         |                   |  |  |  |
|---|---------|-------------------|--|--|--|
| THIS DRAWING CONTAINS INFORMATION THAT IS PROPRIETARY TO MOLEX ELECTRONIC TECHNOLOGIES, LLC AND SHOULD NOT BE USED WITHOUT WRITTEN PERMISSION |         | CURRENT REV DESC: |  | <b>molex</b>   |  |
| DIMENSION UNITS   | SCALE   |                   |  |  |  |
| mm  | NTS     |                   |  | CLIK-MATE 1.5<br>SINGLE ROW SMT VT TYPE REC ASSY<br>GOLD PLATING |  |
| GENERAL TOLERANCES<br>(UNLESS SPECIFIED)  |         |                   |  | PRODUCT CUSTOMER DRAWING   |  |
| ANGULAR TOL   | ± 3.0 ° |                   |  | DOCUMENT NUMBER  |  |
| 4 PLACES  | ± 0.2   | EC NO: 701023     |  | 2132250000-SD  |  |
| 3 PLACES  | ± 0.2   | DRWN: MIKEDA01    |  | DOC TYPE   |  |
| 2 PLACES  | ± 0.2   | CHK'D: SAKIYAMA   |  | PSD  |  |
| 1 PLACE   | ± 0.2   | APPR: AIDA        |  | DOC PART   |  |
| 0 PLACES  | ± 0.2   | INITIAL REVISION: |  | 000  |  |
| DRAFT WHERE APPLICABLE<br>MUST REMAIN<br>WITHIN DIMENSIONS  |         | DRWN: MIKEDA01    |  | REVISION   |  |
| THIRD ANGLE PROJECTION  |         | APPR: KOMURAKAMI  |  | E  |  |
| DRAWING   |         | SERIES            |  | SHEET NUMBER   |  |
| A3-SIZE   |         | 213225            |  | 2 OF 6   |  |
| MATERIAL NUMBER   |         | CUSTOMER          |  |  |  |
| GENERAL   |         |                   |  |  |  |

ロック形状および吸着エリア  
LOCK SHAPE AND VACCUME AREA



2 極  
2 CKTS

3 極  
3 CKTS

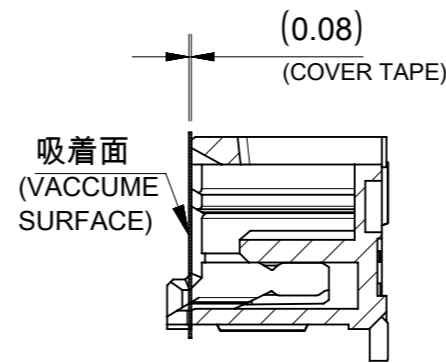
4-5 極  
4-5 CKTS

6, 7 極  
6, 7 CKTS

8-11 極  
8-11 CKTS



12-15 極  
12-15 CKTS



SECTION X-X

|      |              |
|------|--------------|
| 5.0  | 15           |
|      | 14           |
|      | 13           |
|      | 12           |
|      | 11           |
|      | 10           |
|      | 9            |
| 13.6 | 8            |
|      | 7            |
|      | 6            |
| 12.1 | 5            |
| 10.6 | 4            |
| 9.1  | 3            |
| 7.6  | 2            |
| 6.1  | 1            |
| D    | 極数<br>CKT NO |

|   |         |                        |         |  |                 |
|---|---------|------------------------|---------|--|-----------------|
| THIS DRAWING CONTAINS INFORMATION THAT IS PROPRIETARY TO MOLEX ELECTRONIC TECHNOLOGIES, LLC AND SHOULD NOT BE USED WITHOUT WRITTEN PERMISSION |         | CURRENT REV DESC:      |         | <b>molex</b>   |                 |
| DIMENSION UNITS   | SCALE   |                        |         |  |                 |
| mm  | NTS     |                        |         | CLIK-MATE 1.5<br>SINGLE ROW SMT VT TYPE REC ASSY<br>GOLD PLATING |                 |
| GENERAL TOLERANCES<br>(UNLESS SPECIFIED)  |         |                        |         | PRODUCT CUSTOMER DRAWING   |                 |
| ANGULAR TOL   | ± 3.0 ° |                        |         | DOCUMENT NUMBER  |                 |
| 4 PLACES  | ± 0.2   |                        |         | 2132250000-SD  |                 |
| 3 PLACES  | ± 0.2   |                        |         | DOC TYPE   | DOC PART        |
| 2 PLACES  | ± 0.2   |                        |         | PSD  | 000             |
| 1 PLACE   | ± 0.2   |                        |         | REVISION   | E               |
| 0 PLACES  | ± 0.2   |                        |         |  |                 |
| DRAFT WHERE APPLICABLE<br>MUST REMAIN<br>WITHIN DIMENSIONS  |         | THIRD ANGLE PROJECTION | DRAWING | SERIES   | MATERIAL NUMBER |
|   |         |                        | A3-SIZE | 213225   | CUSTOMER        |
|   |         |                        |         | GENERAL  | SHEET NUMBER    |
|   |         |                        |         | 3 OF 6   |                 |



NOTES

- 5. 梱包数量 : 900個/リール  
NUMBER OF CONNECTORS : 900 PIECES/REEL
  - 6. リードテープ長さ  
LEAD TAPE LENGTH
- 
- 7. トップテープの剥離強度はJIS C0806-3に準拠。  
TOP TAPE PEELING FORCE IS DEFINED BY JIS C0806-3.
  - 8. 本製品は乾燥剤入り、ハイバリア梱包である。  
THIS PRODUCT IS DELIVERD IN HIGH BARRIER PACKAGE WITH DESICCANT.

|   |   |   |   |                            |                |
|---|---|---|---|----------------------------|----------------|
|   |   |   |   |                            | 15             |
|   |   |   |   |                            | 14             |
|   |   |   |   |                            | 13             |
|   |   |   |   |                            | 12             |
|   |   |   |   |                            | 11             |
|   |   |   |   |                            | 10             |
|   |   |   |   |                            | 9              |
|   |   |   |   |                            | 8              |
|   |   |   |   |                            | 7              |
|   |   |   |   |                            | 6              |
|   |   |   |   |                            | 5              |
|   |   |   |   |                            | 4              |
|   |   |   |   |                            | 3              |
|   |   |   |   |                            | 2              |
| J | H | G | F | エンボステープ幅E<br>WIDTH OF TAPE | 極数<br>CKT. NO. |

| 番号<br>NO. | 部品<br>PART                | 材質<br>MATERIAL  |
|-----------|---------------------------|---|
| ④         | エンボステープ<br>EMBOSSSED TAPE | ポリスチレン(PS)<br>POLYSTYRENE(PS)   |
| ⑤         | トップテープ<br>TOP TAPE        | ポリエチレン、ポリエチレンテレフタレート<br>POLYETHLENE(PE), POLYETHYLENE TEREPTHALATE(PET) |
| ⑥         | リール<br>REEL               | ポリスチレン(PS) <リサイクル材を含む><br>POLYSTYRENE(PS) <RECYCLE MATERIAL CONTAINED>  |

THIS DRAWING CONTAINS INFORMATION THAT IS PROPRIETARY TO MOLEX ELECTRONIC TECHNOLOGIES, LLC AND SHOULD NOT BE USED WITHOUT WRITTEN PERMISSION

|  |              |   |                                  |
|--|--------------|---|----------------------------------|
| DIMENSION UNITS<br>mm                                      | SCALE<br>NTS | CURRENT REV DESC:   |                                  |
| GENERAL TOLERANCES<br>(UNLESS SPECIFIED)                   |              | <p><b>molex</b></p> <p>CLIK-MATE 1.5<br/>SINGLE ROW SMT VT TYPE REC ASSY<br/>GOLD PLATING</p> <p>PRODUCT CUSTOMER DRAWING</p> |                                  |
| ANGULAR TOL  | ± 3.0 °      |   |                                  |
| 4 PLACES   | ± 0.2        |   |                                  |
| 3 PLACES   | ± 0.2        |   |                                  |
| 2 PLACES   | ± 0.2        |   |                                  |
| 1 PLACE  | ± 0.2        | INITIAL REVISION:   |                                  |
| 0 PLACES   | ± 0.2        | DRWN: MIKEDA01 2019/11/07   |                                  |
| DRAFT WHERE APPLICABLE<br>MUST REMAIN<br>WITHIN DIMENSIONS |              | THIRD ANGLE PROJECTION  | DRAWING<br>A3-SIZE               |
|  |              | SERIES<br>213225  | MATERIAL NUMBER<br>2132250000-SD |
|  |              | CUSTOMER<br>GENERAL   | DOC TYPE<br>PSD                  |
|  |              | DOC PART<br>000   |                                  |
|  |              | REVISION<br>E   |                                  |
|  |              | SHEET NUMBER<br>4 OF 6  |                                  |

△<sub>3</sub> 適用製品及び各種仕様書  
 APPLICABLE PRODUCTS AND VARIOUS SPECIFICATIONS

|                                  |                            |                                   |
|----------------------------------|----------------------------|-----------------------------------|
| 梱包仕様書<br>PACKAGING SPECIFICATION | PART NUMBER<br>213225 **** | DOCUMENT NUMBER<br>2132259200-SPK |
|----------------------------------|----------------------------|-----------------------------------|

|  |               |                         |             |             |
|--|---------------|-------------------------|-------------|-------------|
| 適用嵌合相手<br>MATE WITH                      | HOUSING       | TERMINAL (GOLD PLATING) |             |             |
|  |               | PLATING THK             | #24-28      | #28-30      |
| 製品番号<br>PRODUCT NUMBER                   | 502578 ****   | 0.1 micro-meters        | 213028 1*00 | 213029 1*00 |
|  |               | 0.38 micro-meters       | 213028 3*00 | 213029 3*00 |
|  |               | 0.76 micro-meters       | 213028 7*00 | 213029 7*00 |
| 製品仕様書<br>PRODUCT SPECIFICATION           | 5025780004-PS |                         |             |             |
| アプリケーション仕様書<br>APPLICATION SPECIFICATION | AS-502578-001 |                         |             |             |

|   |       |                            |                    |                             |                 |  |     |                        |  |
|---|-------|----------------------------|--------------------|-----------------------------|-----------------|--|-----|------------------------|--|
| THIS DRAWING CONTAINS INFORMATION THAT IS PROPRIETARY TO MOLEX ELECTRONIC TECHNOLOGIES, LLC AND SHOULD NOT BE USED WITHOUT WRITTEN PERMISSION |       |                            |                    |                             |                 |  |     |                        |  |
| DIMENSION UNITS   | SCALE | CURRENT REV DESC:          |                    |                             |                 | <b>molex</b>   |     |                        |  |
| mm  | NTS   |                            |                    |                             |                 | CLIK-MATE 1.5<br>SINGLE ROW SMT VT TYPE REC ASSY<br>GOLD PLATING |     |                        |  |
| GENERAL TOLERANCES<br>(UNLESS SPECIFIED)  |       | EC NO: 701023              |                    |                             |                 | PRODUCT CUSTOMER DRAWING   |     |                        |  |
| ANGULAR TOL ± 3.0 °   |       | 4 PLACES ± 0.2             |                    | DRWN: MIKEDA01 2022/03/28   |                 | DOCUMENT NUMBER<br><b>2132250000-SD</b>                          |     |                        |  |
|   |       | 3 PLACES ± 0.2             |                    | CHK'D: SAKIYAMA 2022/05/09  |                 |  |     |                        |  |
|   |       | 2 PLACES ± 0.2             |                    | APPR: AIDA 2022/05/09       |                 | PSD  | 000 | E                      |  |
|   |       | 1 PLACE ± 0.2              |                    | INITIAL REVISION:           |                 |  |     |                        |  |
|   |       | 0 PLACES ± 0.2             |                    | DRWN: MIKEDA01 2019/11/07   |                 |  |     |                        |  |
|   |       |                            |                    | APPR: KOMURAKAMI 2019/11/20 |                 |  |     |                        |  |
| DRAFT WHERE APPLICABLE<br>MUST REMAIN<br>WITHIN DIMENSIONS  |       | THIRD ANGLE PROJECTION<br> | DRAWING<br>A3-SIZE | SERIES<br>213225            | MATERIAL NUMBER | CUSTOMER<br>GENERAL  |     | SHEET NUMBER<br>5 OF 6 |  |

|                 |    |              |            |          |
|-----------------|----|--------------|------------|----------|
| DOCUMENT STATUS | P1 | RELEASE DATE | 2022/05/09 | 03:15:35 |
|-----------------|----|--------------|------------|----------|

△ 製品一覧 PRODUCT LIST

| 黒 BLACK          | ナチュラル NATURAL | HOUSING COLOR |   |
|------------------|---------------|---------------|---|
| 213225 1511      | 213225 1510   | 15            | 213225 **1*<br>(GOLD PLATING<br>THICKNESS: 0.1<br>micro-meters MIN) |
| 213225 1411      | 213225 1410   | 14            |   |
| 213225 1311      | 213225 1310   | 13            |   |
| 213225 1211      | 213225 1210   | 12            |   |
| 213225 1111      | 213225 1110   | 11            |   |
| 213225 1011      | 213225 1010   | 10            |   |
| 213225 0911      | 213225 0910   | 9             |   |
| 213225 0811      | 213225 0810   | 8             |   |
| 213225 0711      | 213225 0710   | 7             |   |
| 213225 0611      | 213225 0610   | 6             |   |
| 213225 0511      | 213225 0510   | 5             |   |
| 213225 0411      | 213225 0410   | 4             |   |
| 213225 0311      | 213225 0310   | 3             |   |
| 213225 0211      | 213225 0210   | 2             |   |
| オーダー番号 ORDER No. |               | 極数<br>CKT.    |   |

| 黒 BLACK          | ナチュラル NATURAL | HOUSING COLOR |  |
|------------------|---------------|---------------|--|
| 213225 1531      | 213225 1530   | 15            | 213225 **3*<br>(GOLD PLATING<br>THICKNESS: 0.38<br>micro-meters MIN) |
| 213225 1431      | 213225 1430   | 14            |  |
| 213225 1331      | 213225 1330   | 13            |  |
| 213225 1231      | 213225 1230   | 12            |  |
| 213225 1131      | 213225 1130   | 11            |  |
| 213225 1031      | 213225 1030   | 10            |  |
| 213225 0931      | 213225 0930   | 9             |  |
| 213225 0831      | 213225 0830   | 8             |  |
| 213225 0731      | 213225 0730   | 7             |  |
| 213225 0631      | 213225 0630   | 6             |  |
| 213225 0531      | 213225 0530   | 5             |  |
| 213225 0431      | 213225 0430   | 4             |  |
| 213225 0331      | 213225 0330   | 3             |  |
| 213225 0231      | 213225 0230   | 2             |  |
| オーダー番号 ORDER No. |               | 極数<br>CKT.    |  |

| 黒 BLACK          | ナチュラル NATURAL | HOUSING COLOR |  |
|------------------|---------------|---------------|--|
| 213225 1571      | 213225 1570   | 15            | 213225 **7*<br>(GOLD PLATING<br>THICKNESS: 0.76<br>micro-meters MIN) |
| 213225 1471      | 213225 1470   | 14            |  |
| 213225 1371      | 213225 1370   | 13            |  |
| 213225 1271      | 213225 1270   | 12            |  |
| 213225 1171      | 213225 1170   | 11            |  |
| 213225 1071      | 213225 1070   | 10            |  |
| 213225 0971      | 213225 0970   | 9             |  |
| 213225 0871      | 213225 0870   | 8             |  |
| 213225 0771      | 213225 0770   | 7             |  |
| 213225 0671      | 213225 0670   | 6             |  |
| 213225 0571      | 213225 0570   | 5             |  |
| 213225 0471      | 213225 0470   | 4             |  |
| 213225 0371      | 213225 0370   | 3             |  |
| 213225 0271      | 213225 0270   | 2             |  |
| オーダー番号 ORDER No. |               | 極数<br>CKT.    |  |

|   |  |       |  |  |  |         |        |                 |          |              |          |          |  |
|---|--|-------|--|--|--|---------|--------|-----------------|----------|--------------|----------|----------|--|
| THIS DRAWING CONTAINS INFORMATION THAT IS PROPRIETARY TO MOLEX ELECTRONIC TECHNOLOGIES, LLC AND SHOULD NOT BE USED WITHOUT WRITTEN PERMISSION |  |       |  |  |  |         |        |                 |          |              |          |          |  |
| DIMENSION UNITS   |  | SCALE |  | CURRENT REV DESC:  |  |         |        | <b>molex</b>    |          |              |          |          |  |
| mm  |  | NTS   |  |  |  |         |        |                 |          |              |          |          |  |
| GENERAL TOLERANCES (UNLESS SPECIFIED)   |  |       |  | EC NO: 701023<br>DRWN: MIKEDA01 2022/03/28<br>CHK'D: SAKIYAMA 2022/05/09<br>APPR: AIDA 2022/05/09<br>INITIAL REVISION:<br>DRWN: MIKEDA01 2019/11/07<br>APPR: KOMURAKAMI 2019/11/20 |  |         |        | DOCUMENT NUMBER |          | DOC TYPE     | DOC PART | REVISION |  |
| ANGULAR TOL ± 3.0 °   |  |       |  |  |  |         |        | 2132250000-SD   |          | PSD          | 000      | E        |  |
| 4 PLACES ± 0.2  |  |       |  |  |  |         |        |                 |          |              |          |          |  |
| 3 PLACES ± 0.2  |  |       |  |  |  |         |        |                 |          |              |          |          |  |
| 2 PLACES ± 0.2  |  |       |  |  |  |         |        |                 |          |              |          |          |  |
| 1 PLACE ± 0.2   |  |       |  |  |  |         |        |                 |          |              |          |          |  |
| 0 PLACES ± 0.2  |  |       |  |  |  |         |        |                 |          |              |          |          |  |
| DRAFT WHERE APPLICABLE MUST REMAIN WITHIN DIMENSIONS  |  |       |  | THIRD ANGLE PROJECTION   |  | DRAWING | SERIES | MATERIAL NUMBER | CUSTOMER | SHEET NUMBER |          |          |  |
|   |  |       |  |  |  | A3-SIZE | 213225 |                 | GENERAL  | 6 OF 6       |          |          |  |