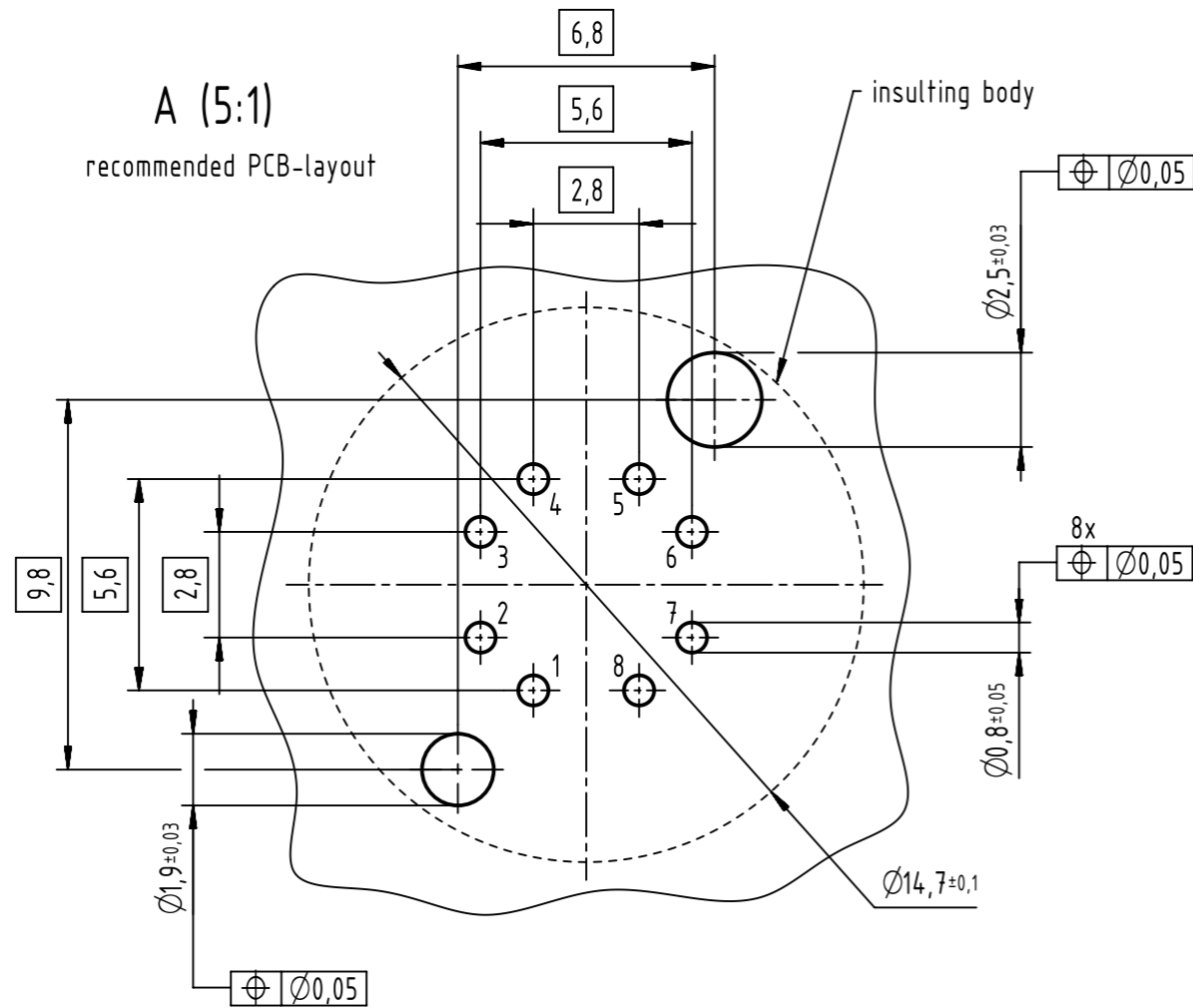
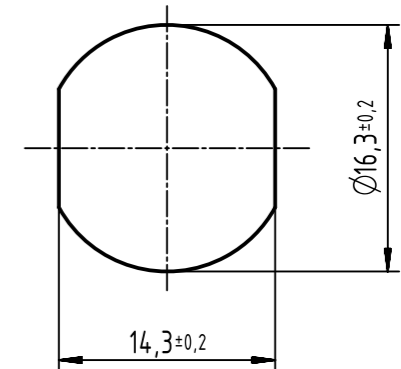


A (5:1)
recommended PCB-layout

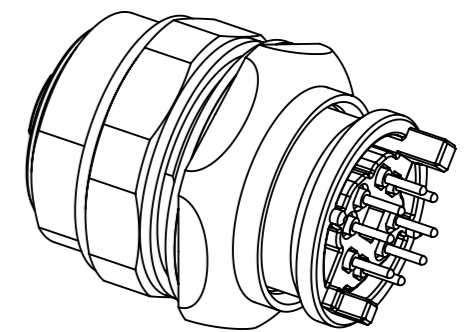


panel cut out



- 500 mating cycles acc. to DIN EN 60512-9-1
- design for reflow soldering
- 1 pcs. single package
- packed with pick&place-cap

pin assignment		
pin	Signal	pair
1	TD1+	2
2	RD1-	2
3	TD2+	3
4	RD2-	3
5	TD4+	4
6	RD4-	4
7	RD3-	1
8	TD3+	1



	All rights reserved	Created by DYCKC	Inspected by 104122	Standardisation KOHLER	Date 2020-06-02	State Final Release
	Department EL PD	Title har-speed M12 PCB Cat5 receptacle straight rear		Doc-Key / ECM-Nr. 100594904/UGD/000/D 500000171486		
HARTING Electronics GmbH D-32339 Espelkamp		Type TB	Number 21033812812		Rev. D	Page 1/1