

NOTES

- ① 材料及び仕上げ(めっき仕様) : TABLE 1 参照
MATERIAL AND FINISHES : SEE TABLE 1
- 2. 製品仕様書 : 5019390001-PS 000
PRODUCT SPECIFICATION:
- 3. 梱包形態 : SEE SHEET 3
PACKAGING INFORMATION:
- ④ 嵌合相手 : 501939 シリーズ
MATES WITH:501939 SERIES
- 5. アプリケーション仕様書(コネクタ取扱い説明書) : 5013300000-AS A00(JAPANESE)/-A01(ENGLISH)
APPLICATION SPECIFICATION(CONNECTOR MANUAL):
- 6. ソルダーピン及びネイルの平坦度:0.1 MAX.
SOLDER PIN AND NAIL COPLANARITY: 0.1 MAX.
- ⑦ 偶数極に適用
APPLY FOR EVEN CIRCUIT
- 8. 本製品は錫めっき品である。金めっき品は以下の図面を御参照下さい。
THIS PRODUCT IS A TIN PLATING. PLEASE REFER TO THE FOLLOWING DRAWING FOR GOLD PLATING VERSION.

PLATING	PLATING THICKNESS [micro-meter MIN.]	SERIES No.	DRAWING No.
TIN	1.0	501953 **07	5019530000-SD PSD 000
GOLD	0.1	501953 **05	5019530001-SD PSD 000
	0.38	203562 **05	2035620000-SD PSD 000

番号 NO.	部品 PART	材質 MATERIAL	
①	ウエハー WAFER	ポリアミド(PA), UL94V-0, 色 : SEE SHEET 5 POLYAMIDE(PA), UL94V-0, COLOR : SEE SHEET 5	
②	ソルダーピン SOLDER PIN	リン青銅 PHOSPHOR BRONZE	
		接点部 CONTACT AREA	金めっき : 0.76 MICRO-METER MIN. GOLD PLATING
		テール部 TAIL AREA	金めっき : 0.05 MICRO-METER MIN. GOLD PLATING
	下地めっき UNDER PLATING	ニッケルめっき : 1.27 MICRO-METER MIN. NICKEL	
③	ネイル NAIL	黄銅 BRASS	
		テール部 TAIL AREA	錫めっき : 1.0 MICRO-METER MIN. MATTE TIN PLATING
		下地めっき UNDER PLATING	ニッケルめっき : 1.0 MICRO-METER MIN. NICKEL

3.4	5.2	4.0	7.0	5
		3.0	6.0	4
2.4	4.2	2.0	5.0	3
D	C	B	A	極数 CIRCUIT SIZE

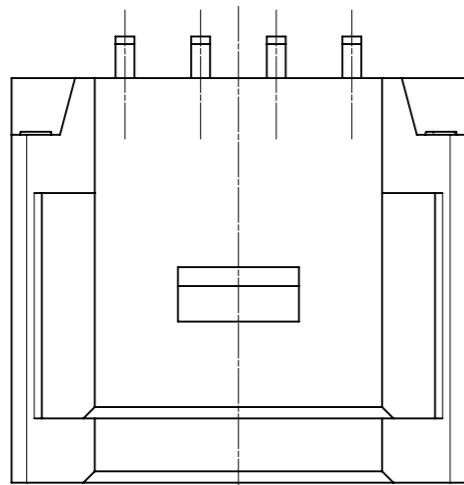
THIS DRAWING CONTAINS INFORMATION THAT IS PROPRIETARY TO MOLEX ELECTRONIC TECHNOLOGIES, LLC AND SHOULD NOT BE USED WITHOUT WRITTEN PERMISSION

DIMENSION UNITS	SCALE	CURRENT REV DESC:	
mm	NTS		
GENERAL TOLERANCES (UNLESS SPECIFIED)		molex	
ANGULAR TOL	± 3.0 °	PICO-CLASP 1.0 W/B	
4 PLACES	± 0.2	SINGLE ROW RA SMT OUTER LOCK GOLD PLATING	
3 PLACES	± 0.2	0.76 MICRO-METER	
2 PLACES	± 0.2	PRODUCT CUSTOMER DRAWING	
1 PLACE	± 0.2	DOCUMENT NUMBER	
0 PLACES	± 0.2	2035630000-SD	
DRAFT WHERE APPLICABLE MUST REMAIN WITHIN DIMENSIONS		THIRD ANGLE PROJECTION	SHEET NUMBER
		A3-SIZE	1 OF 5

EC NO: 614802
DRWN: AISHIKAWA 2019/04/01
CHK'D: AIDA 2019/04/03
APPR: KOMURAKAMI 2019/04/03

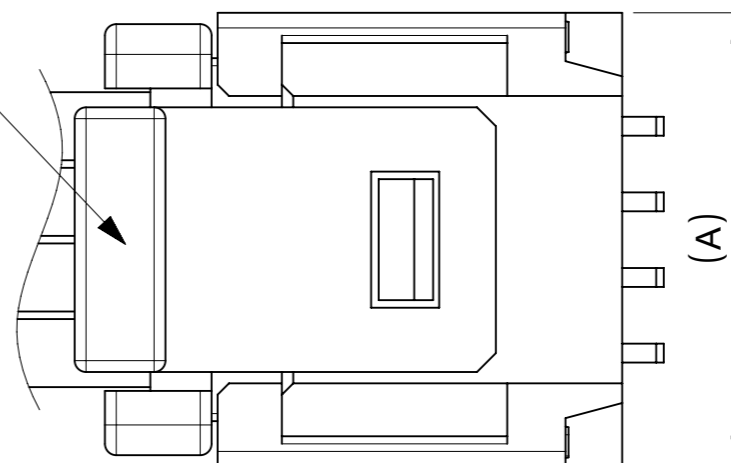
INITIAL REVISION:
DRWN: AISHIKAWA 2019/04/01
APPR: KOMURAKAMI 2019/04/03

MATERIAL NUMBER: SEE SHEET 5
CUSTOMER: PSD 000 A

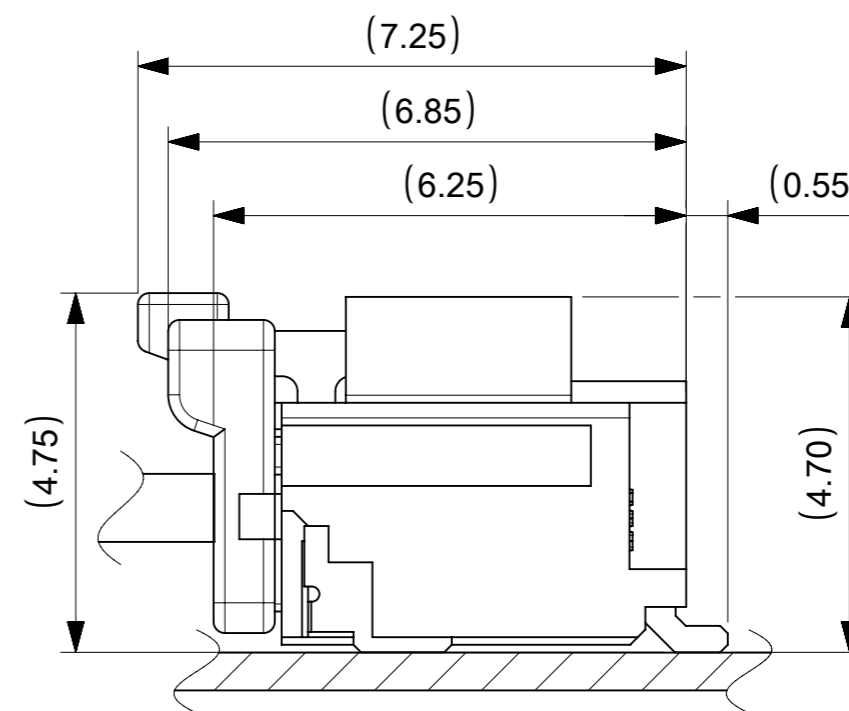
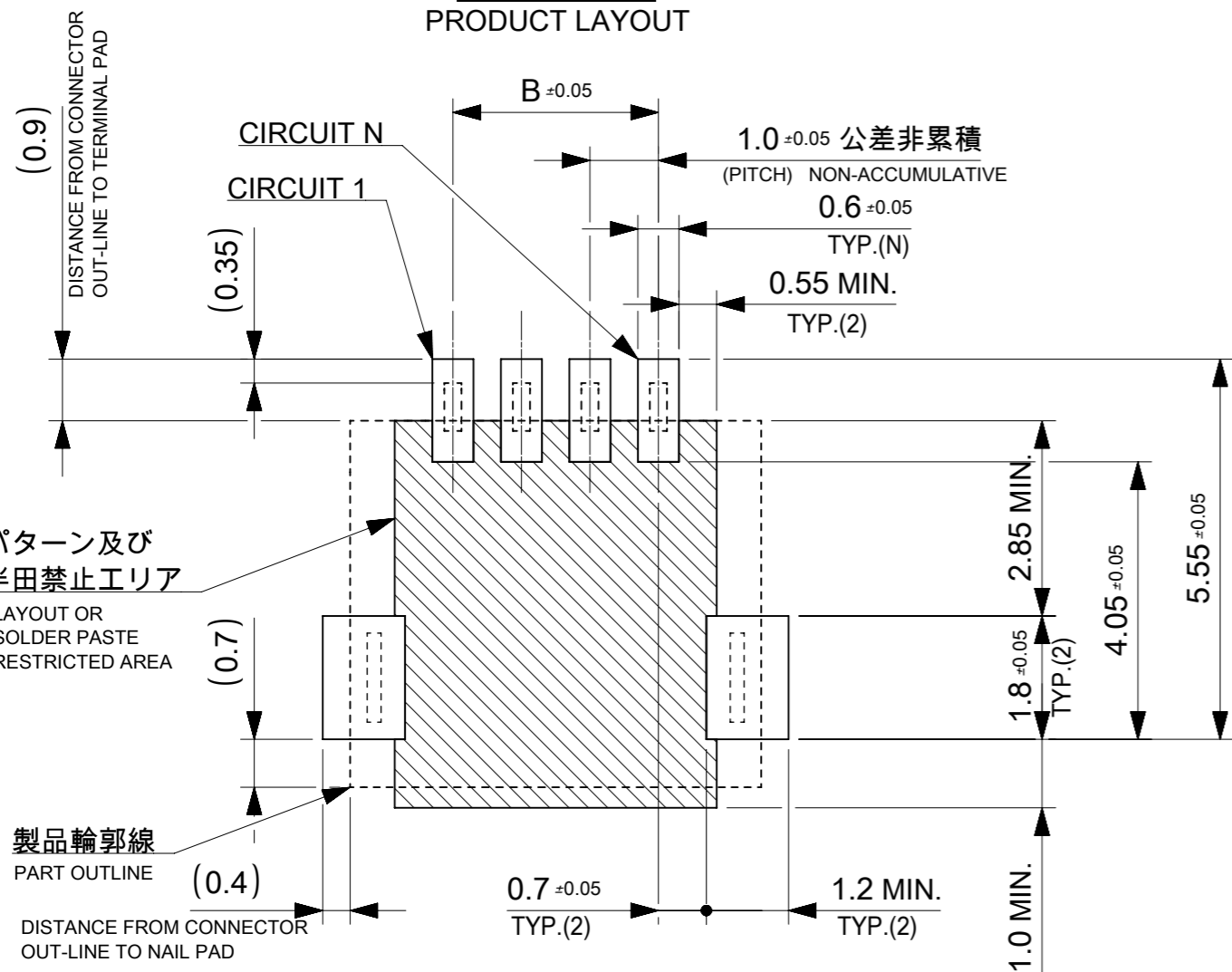


製品レイアウト
PRODUCT LAYOUT

△ 嵌合相手 : 501939シリーズ
MATE WITH: 501939 SERIES



(A)

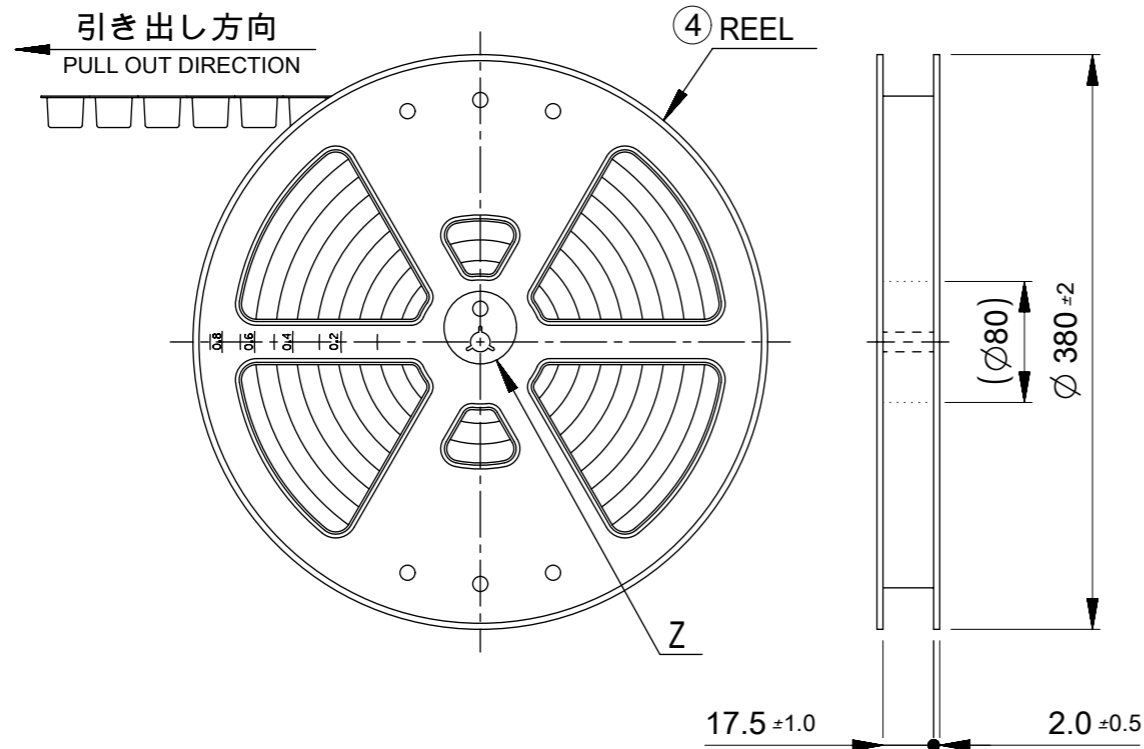


嵌合図
MATED CONNECTORS

推奨基板レイアウト(全極数適応) : 実装面側
 (参考 : 基板厚 1.0mm, メタルマスク厚さ 0.12mm, マスク開口率100%)
 POLARIZED RECOMMENDED PCB LAYOUT(APPLY TO ALL CIRCUITS) : COMPONENT SIDE
 (REFERENCE: PCB THICKNESS 1.0mm, STENCIL THICKNESS 0.12mm, APERTURE RATIO 100%)

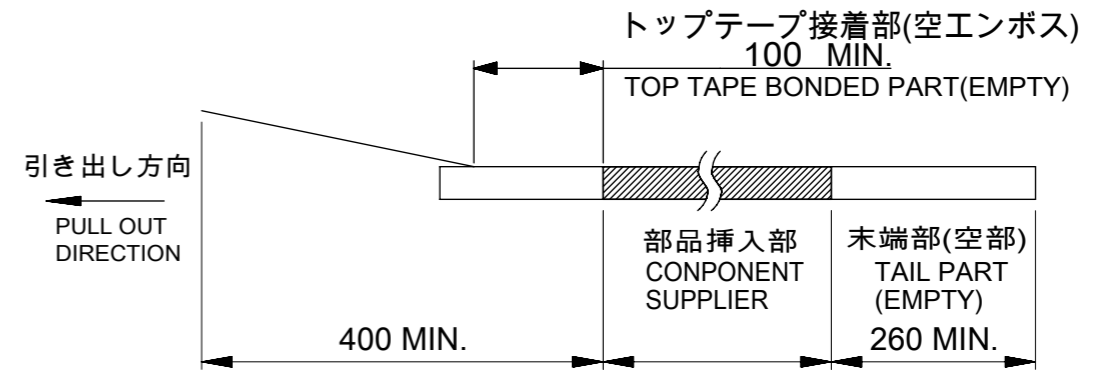
:パターン禁止エリア
RESTRICTED AREA
NO PCB COMPONENTS ALLOWED

THIS DRAWING CONTAINS INFORMATION THAT IS PROPRIETARY TO MOLEX ELECTRONIC TECHNOLOGIES, LLC AND SHOULD NOT BE USED WITHOUT WRITTEN PERMISSION		CURRENT REV DESC:		molex		
DIMENSION UNITS	SCALE					PICO-CLASP 1.0 W/B SINGLE ROW RA SMT OUTER LOCK GOLD PLATING 0.76 MICRO-METER
mm	NTS			PRODUCT CUSTOMER DRAWING		
GENERAL TOLERANCES (UNLESS SPECIFIED)		EC NO: 614802		DOCUMENT NUMBER		
ANGULAR TOL	± 3.0 °	DRWN: AISHIKAWA 2019/04/01		2035630000-SD		
4 PLACES	± 0.2	CHK'D: AIDA 2019/04/03		DOC TYPE		
3 PLACES	± 0.2	APPR: KOMURAKAMI 2019/04/03		PSD		
2 PLACES	± 0.2	INITIAL REVISION:		DOC PART		
1 PLACE	± 0.2	DRWN: AISHIKAWA 2019/04/01		000		
0 PLACES	± 0.2	APPR: KOMURAKAMI 2019/04/03		A		
DRAFT WHERE APPLICABLE MUST REMAIN WITHIN DIMENSIONS		THIRD ANGLE PROJECTION	DRAWING	SERIES	MATERIAL NUMBER	CUSTOMER
			A3-SIZE	203563	SEE SHEET 5	
DOCUMENT STATUS		P1	RELEASE DATE	2019/04/03	09:48:43	SHEET NUMBER
						2 OF 5



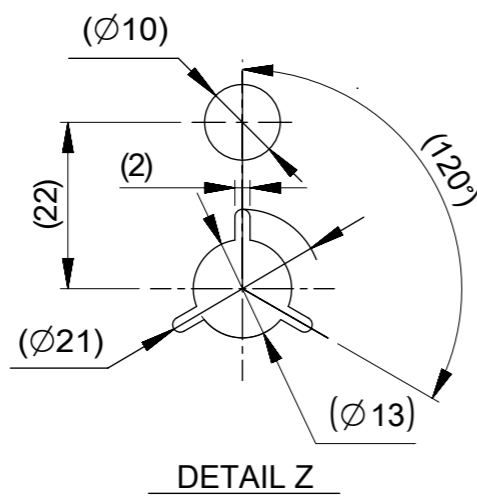
NOTES

- 9. 梱包数量:1300個/リール
NUMBER OF CONNECTORS : 1300 PIECES/REEL
- 10. リードテープ長さ
LEAD TAPE LENGTH



- 11. トップテープの剥離強度はIEC60286-3に準拠。
TOP TAPE PEELING FORCE IS DEFINED BY IEC60286-3.
- 12. 梱包仕様書 : 2035639200 PS 200
PACKAGE SPECIFICATION:

△13 発注番号 : SHEET 5 参照
ORDER No. : PLEASE REFER TO SHEET 5 FOR PRODUCT LIST.



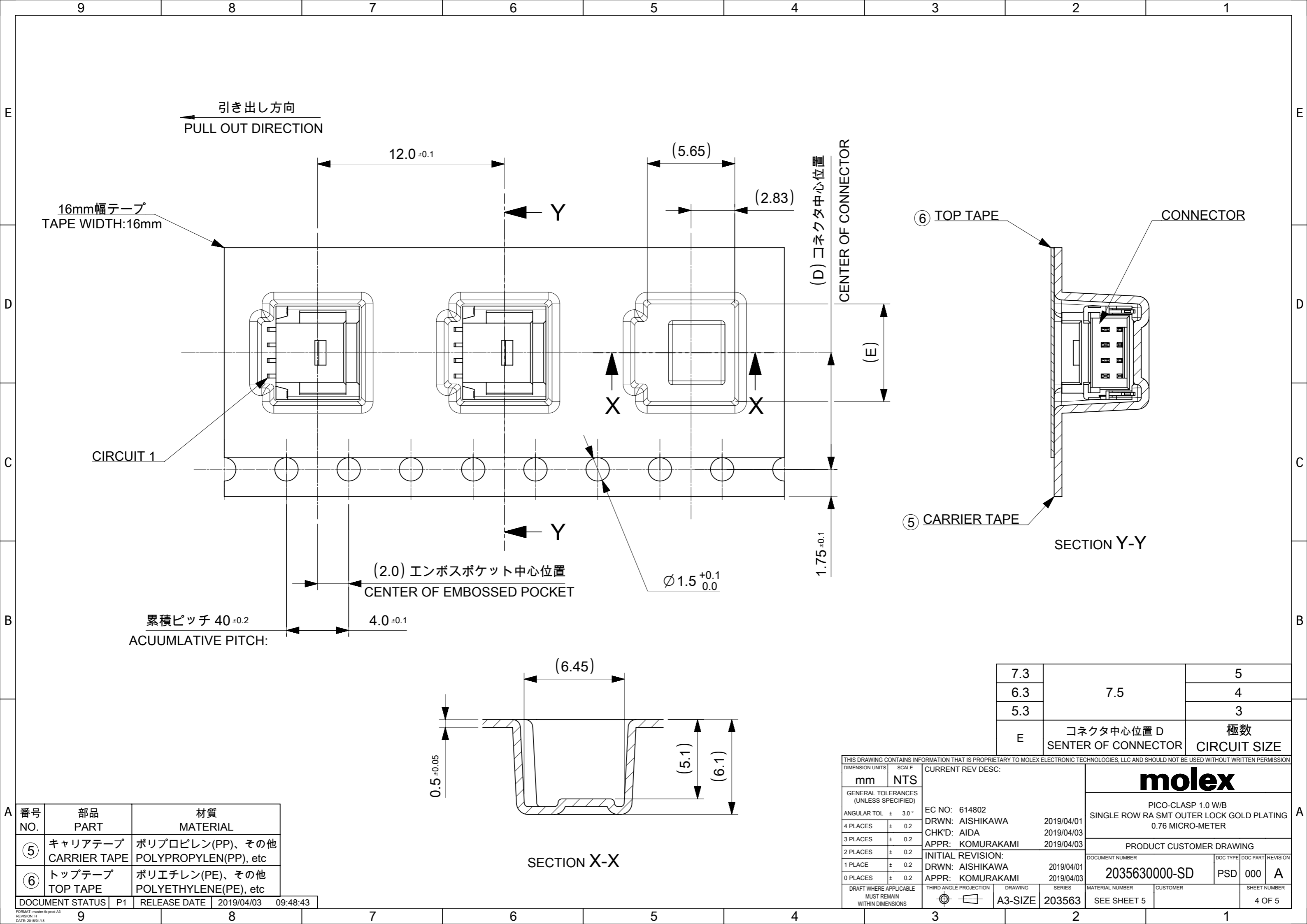
203563

** ** *

極数 CIRCUIT SIZE	ハウジングカラー HOUSING COLOR	製品識別番号 IDENTIFICATION NUMBER
	0:NATURAL(BEIGE)	5:EMBOSSED PACKAGE

THIS DRAWING CONTAINS INFORMATION THAT IS PROPRIETARY TO MOLEX ELECTRONIC TECHNOLOGIES, LLC AND SHOULD NOT BE USED WITHOUT WRITTEN PERMISSION		CURRENT REV DESC:		molex	
DIMENSION UNITS mm	SCALE NTS				
GENERAL TOLERANCES (UNLESS SPECIFIED)		EC NO: 614802		PRODUCT CUSTOMER DRAWING	
ANGULAR TOL ± 3.0 °		DRWN: AISHIKAWA 2019/04/01		DOCUMENT NUMBER	
4 PLACES ± 0.2		CHK'D: AIDA 2019/04/03		2035630000-SD	
3 PLACES ± 0.2		APPR: KOMURAKAMI 2019/04/03		DOC TYPE	
2 PLACES ± 0.2		INITIAL REVISION:		DOC PART	
1 PLACE ± 0.2		DRWN: AISHIKAWA 2019/04/01		REVISION	
0 PLACES ± 0.2		APPR: KOMURAKAMI 2019/04/03		A	
DRAFT WHERE APPLICABLE MUST REMAIN WITHIN DIMENSIONS		THIRD ANGLE PROJECTION	DRAWING	SERIES	MATERIAL NUMBER
			A3-SIZE	203563	SEE SHEET 5
				CUSTOMER	SHEET NUMBER
					3 OF 5

番号 NO.	部品 PART	材質 MATERIAL
④	リール REEL	ポリスチレン(PS) <リサイクル材を含む> POLYSTYRENE(PS) <RECYCLE MATERIAL CONTAINED>
DOCUMENT STATUS	P1	RELEASE DATE 2019/04/03 09:48:43



7.3	7.5	5
6.3		4
5.3		3
E	コネクタ中心位置 D SENER OF CONNECTOR	極数 CIRCUIT SIZE

THIS DRAWING CONTAINS INFORMATION THAT IS PROPRIETARY TO MOLEX ELECTRONIC TECHNOLOGIES, LLC AND SHOULD NOT BE USED WITHOUT WRITTEN PERMISSION		CURRENT REV DESC:			
DIMENSION UNITS	SCALE	EC NO: 614802			
mm	NTS	DRWN: AISHIKAWA 2019/04/01		PICO-CLASP 1.0 W/B	
GENERAL TOLERANCES (UNLESS SPECIFIED)		CHK'D: AIDA 2019/04/03		SINGLE ROW RA SMT OUTER LOCK GOLD PLATING	
ANGULAR TOL	$\pm 3.0^\circ$	APPR: KOMURAKAMI 2019/04/03		0.76 MICRO-METER	
4 PLACES	± 0.2	INITIAL REVISION:		PRODUCT CUSTOMER DRAWING	
3 PLACES	± 0.2	DRWN: AISHIKAWA 2019/04/01		DOCUMENT NUMBER	
2 PLACES	± 0.2	APPR: KOMURAKAMI 2019/04/03		2035630000-SD	
1 PLACE	± 0.2	MATERIAL NUMBER		DOC TYPE	DOC PART
0 PLACES	± 0.2	CUSTOMER		PSD	000
DRAFT WHERE APPLICABLE MUST REMAIN WITHIN DIMENSIONS		THIRD ANGLE PROJECTION	DRAWING	SERIES	REVISION
			A3-SIZE	203563	A
				SEE SHEET 5	4 OF 5

番号 NO.	部品 PART	材質 MATERIAL
⑤	キャリアテープ CARRIER TAPE	ポリプロピレン(PP)、その他 POLYPROPYLEN(PP), etc
⑥	トップテープ TOP TAPE	ポリエチレン(PE)、その他 POLYETHYLENE(PE), etc

DOCUMENT STATUS	P1	RELEASE DATE	2019/04/03	09:48:43
-----------------	----	--------------	------------	----------

9 8 7 6 5 4 3 2 1

E

E

D

D

C

C

B

B

A

A

13 製品一覧 PRODUCT LIST

HOUSING COLOR	
NATURAL(BEIGE)	
203563 0505	5
203563 0405	4
203563 0305	3
発注番号 ORDER No.	
梱包形態 : エンボスリール PACKAGE:EMBOSSED REEL	極数 CIRCUIT SIZE

THIS DRAWING CONTAINS INFORMATION THAT IS PROPRIETARY TO MOLEX ELECTRONIC TECHNOLOGIES, LLC AND SHOULD NOT BE USED WITHOUT WRITTEN PERMISSION									
DIMENSION UNITS	SCALE	CURRENT REV DESC:			molex				
mm	NTS								
GENERAL TOLERANCES (UNLESS SPECIFIED)		EC NO: 614802			PICO-CLASP 1.0 W/B				
ANGULAR TOL	± 3.0 °	DRWN: AISHIKAWA 2019/04/01			SINGLE ROW RA SMT OUTER LOCK GOLD PLATING				
4 PLACES	± 0.2	CHK'D: AIDA 2019/04/03			0.76 MICRO-METER				
3 PLACES	± 0.2	APPR: KOMURAKAMI 2019/04/03			PRODUCT CUSTOMER DRAWING				
2 PLACES	± 0.2	INITIAL REVISION:			DOCUMENT NUMBER				
1 PLACE	± 0.2	DRWN: AISHIKAWA 2019/04/01			2035630000-SD		PSD	000	A
0 PLACES	± 0.2	APPR: KOMURAKAMI 2019/04/03			REVISION				
DRAFT WHERE APPLICABLE MUST REMAIN WITHIN DIMENSIONS		THIRD ANGLE PROJECTION	DRAWING	SERIES	MATERIAL NUMBER	CUSTOMER		SHEET NUMBER	
			A3-SIZE	203563	SEE SHEET 5			5 OF 5	

DOCUMENT STATUS	P1	RELEASE DATE	2019/04/03 09:48:43
-----------------	----	--------------	---------------------

9 8 7 6 5 4 3 2 1

FORMAT: master-ib-prod-A3
REVISION: 11
DATE: 2018/01/18