

10

9

8

7

6

5

4

3

2

1

F

E

D

C

B

A

F

E

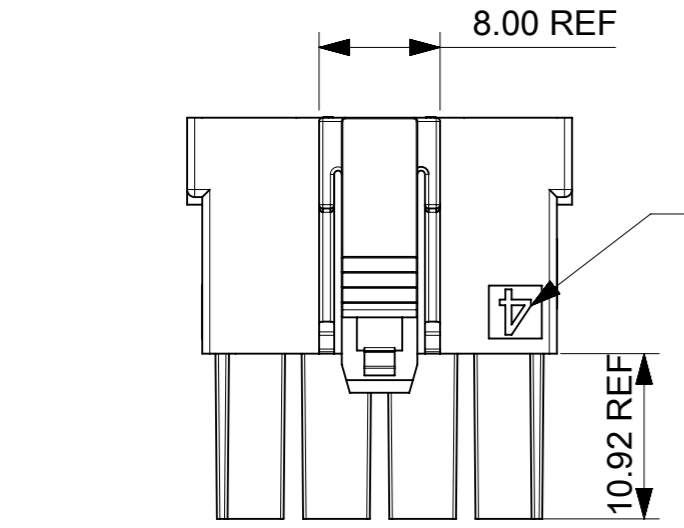
D

C

B

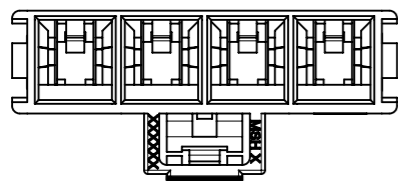
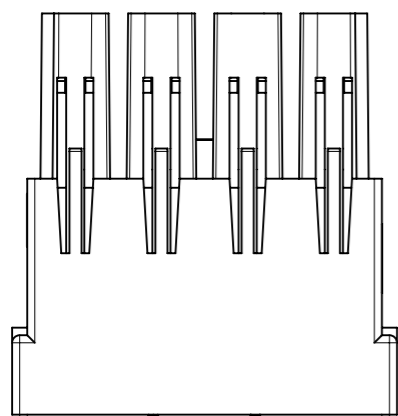
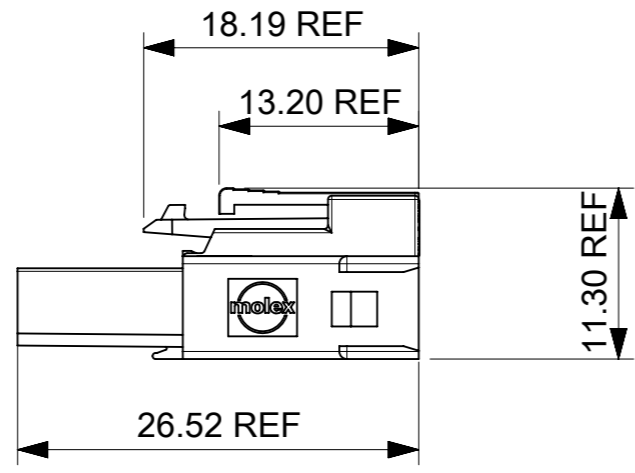
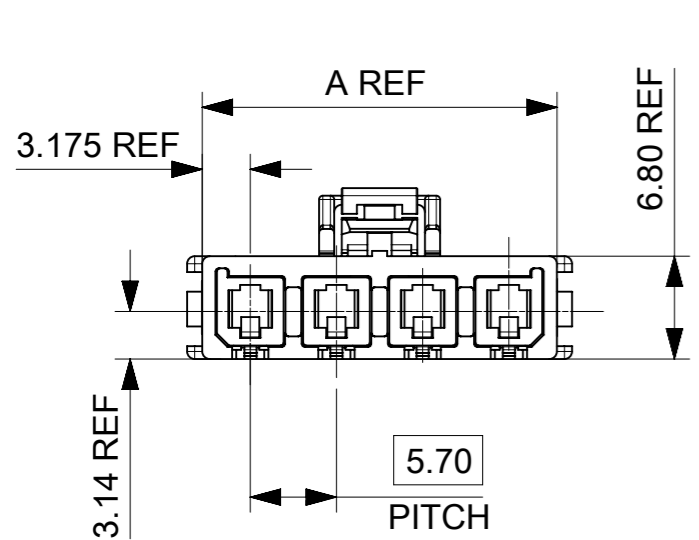
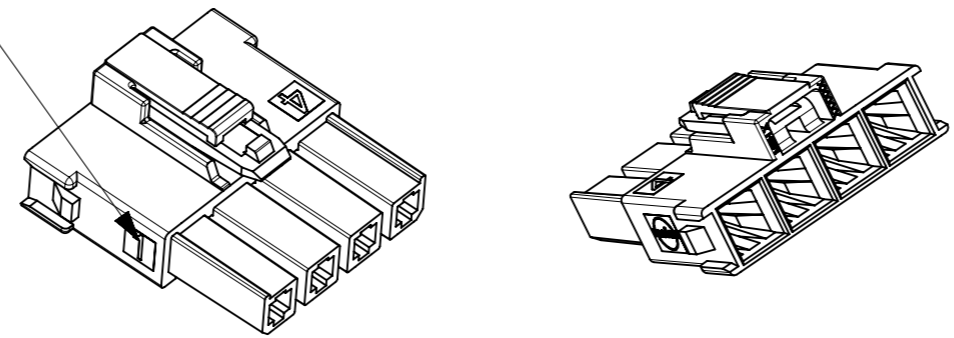
A

CKT NO.	COLOR	PART NUMBER	DIM-A
2	BLACK	2004561212	12.05
3		2004561213	17.75
4		2004561214	23.45
5		2004561215	29.15
6		2004561216	34.85
7		2004561217	40.55
8		2004561218	46.25



FIRST CKT INDICATOR

LAST CKT INDICATOR



NOTES:

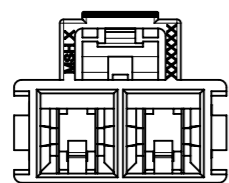
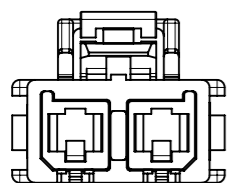
1. MATERIAL: NYLON, UL 94V-0 AND GLOW WIRE CAPABLE PER IEC60335-1, COLOR BLACK.
2. FINISH: NOT APPLICABLE.
3. PRODUCT SPECIFICATION: 1054171000-PS/1720631000-PS.
4. PACKAGING: BULK PACK PER 2004561000.
5. PART USED WITH MOLEX SERIES.
 TPA: 105415
 HEADER SERIES: 200241.
 TPA-CAPABLE FEMALE TERMINAL SERIES: 76823,172063.
 PLUG HOUSING: 213814,213815
6. APPLICATION SPECIFICATION: 768232000-AS.
7. PARTS CONFORM TO CLASS B REQUIREMENTS OF COSMETIC SPECIFICATION PS-45499-002 WITH THE EXCEPTION OF DISCOLORATION MEETS CLASS "C" REQUIREMENTS.

THIS DRAWING CONTAINS INFORMATION THAT IS PROPRIETARY TO MOLEX ELECTRONIC TECHNOLOGIES, LLC AND SHOULD NOT BE USED WITHOUT WRITTEN PERMISSION		CURRENT REV DESC:		molex	
DIMENSION UNITS	SCALE	MEGA-FIT REC HSG SR, TOP LATCH 2-8CKT			
mm	NTS	PRODUCT CUSTOMER DRAWING		DOCUMENT NUMBER	
GENERAL TOLERANCES (UNLESS SPECIFIED)		EC NO: 688343		2004561000	
ANGULAR TOL ± 3.0 °		DRWN: JUANY1		DOC TYPE	
4 PLACES ±		2021/12/08		PSD	
3 PLACES ±		CHK'D: XQZHANG		DOC PART	
2 PLACES ± 0.25		2021/12/16		000	
1 PLACE ± 0.35		APPR: XQZHANG		REVISION	
0 PLACES ±		INITIAL REVISION:		D	
DRAFT WHERE APPLICABLE MUST REMAIN WITHIN DIMENSIONS		DRWN: YXZHENG		2017/03/08	
THIRD ANGLE PROJECTION		APPR: YXZHENG		2018/08/06	
DRAWING		SERIES		MATERIAL NUMBER	
A3-SIZE		200456		CUSTOMER	
SHEET NUMBER		GENERAL MARKET		1 OF 2	

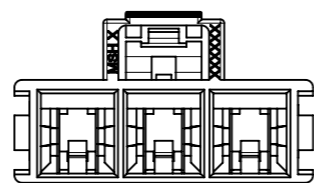
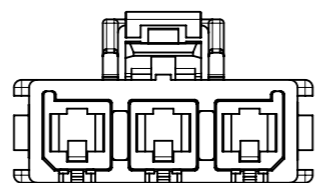
10 9 8 7 6 5 4 3 2 1

F

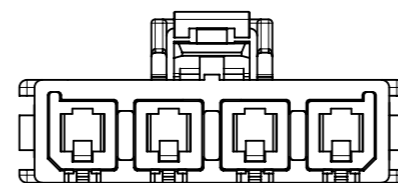
F



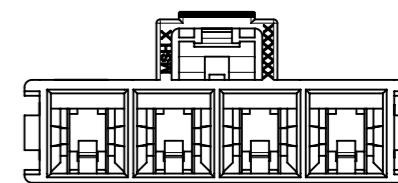
2CKT



3CKT

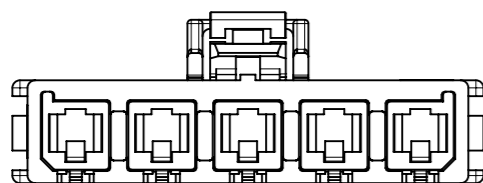


4CKT

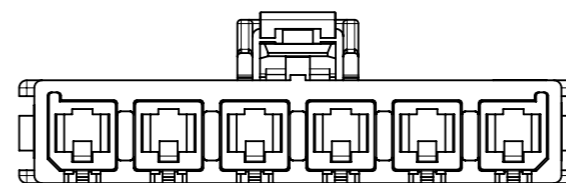
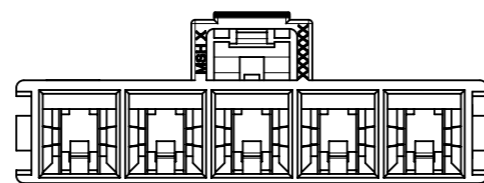


E

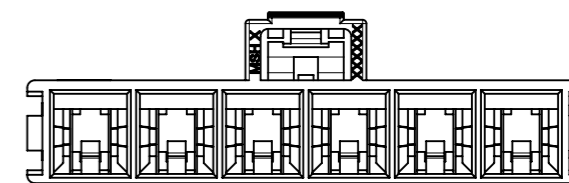
E



5CKT

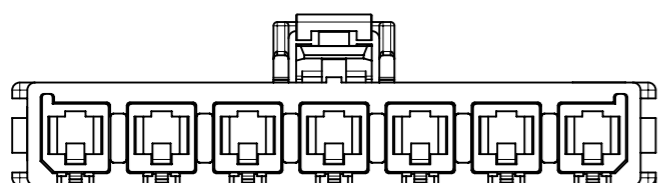


6CKT

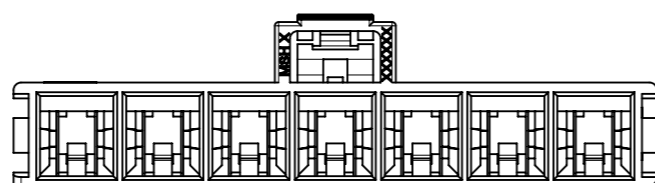


D

D

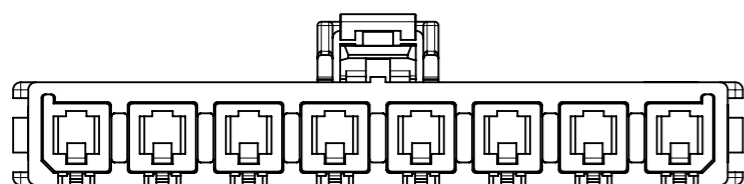


7CKT

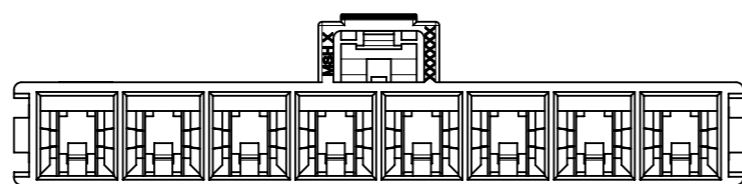


C

C



8CKT



B

B

A

A

THIS DRAWING CONTAINS INFORMATION THAT IS PROPRIETARY TO MOLEX ELECTRONIC TECHNOLOGIES, LLC AND SHOULD NOT BE USED WITHOUT WRITTEN PERMISSION									
DIMENSION UNITS		SCALE		CURRENT REV DESC:				molex	
mm		NTS							
GENERAL TOLERANCES (UNLESS SPECIFIED)				EC NO: 688343				MEGA-FIT REC HSG SR, TOP LATCH 2-8CKT	
ANGULAR TOL ± 3.0 °				DRWN: JUANY1 2021/12/16				PRODUCT CUSTOMER DRAWING	
4 PLACES ±				CHK'D: XQZHANG 2021/12/16				DOCUMENT NUMBER	
3 PLACES ±				APPR: XQZHANG 2021/12/16				2004561000	
2 PLACES ± 0.25				INITIAL REVISION:				DOC TYPE	
1 PLACE ± 0.35				DRWN: YXZHENG 2017/03/08				PSD	
0 PLACES ±				APPR: YXZHENG 2018/08/06				DOC PART	
DRAFT WHERE APPLICABLE MUST REMAIN WITHIN DIMENSIONS				THIRD ANGLE PROJECTION		DRAWING		REVISION	
						A3-SIZE		D	
				SERIES		MATERIAL NUMBER		SHEET NUMBER	
				200456		GENERAL MARKET		2 OF 2	

DOCUMENT STATUS	P1	RELEASE DATE	2021/12/16	06:22:53
-----------------	----	--------------	------------	----------

9 8 7 6 5 4 3 2 1