

MATERIAL NO.	ENGINEERING NO.	FINISHED LENGTH
1300120382	339020A01F030	3 FT (0.91 M)
1300120399	339020A01F300	30 FT (9.14 M)
1300120409	339020A01F750	75 FT (22.86 M)

**CABLE LENGTH TOLERANCES**

<.3M [1FT]: +19mm-0 [ +.75in-0]

.3 - .9M [1 - 3FT]: +44.5mm-0 [+1.75in-0]

.9 - 1.8M [3 - 6FT]: +55.6mm-0 [+2.19in-0]

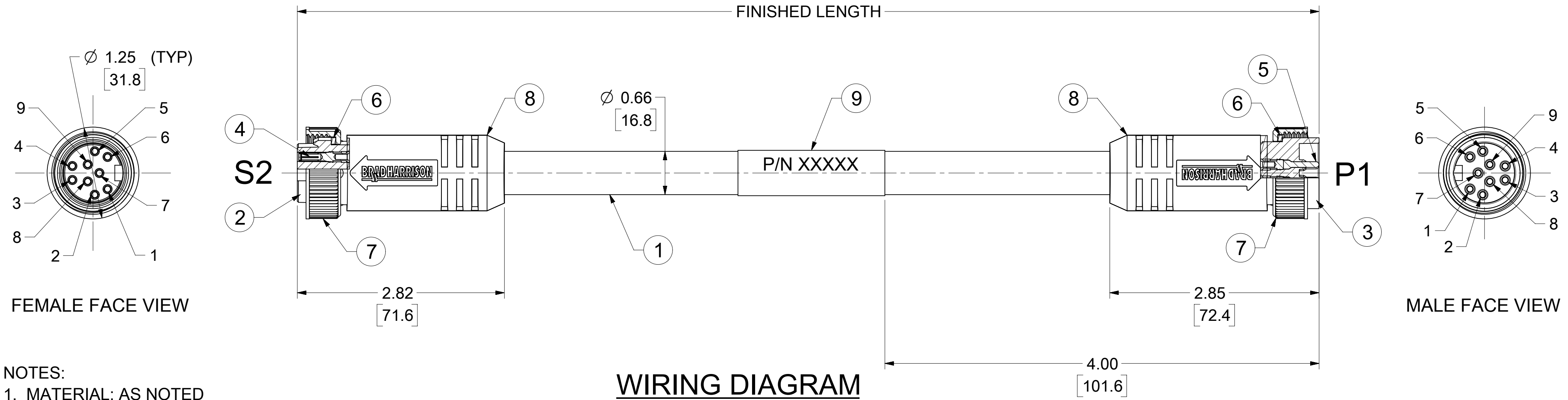
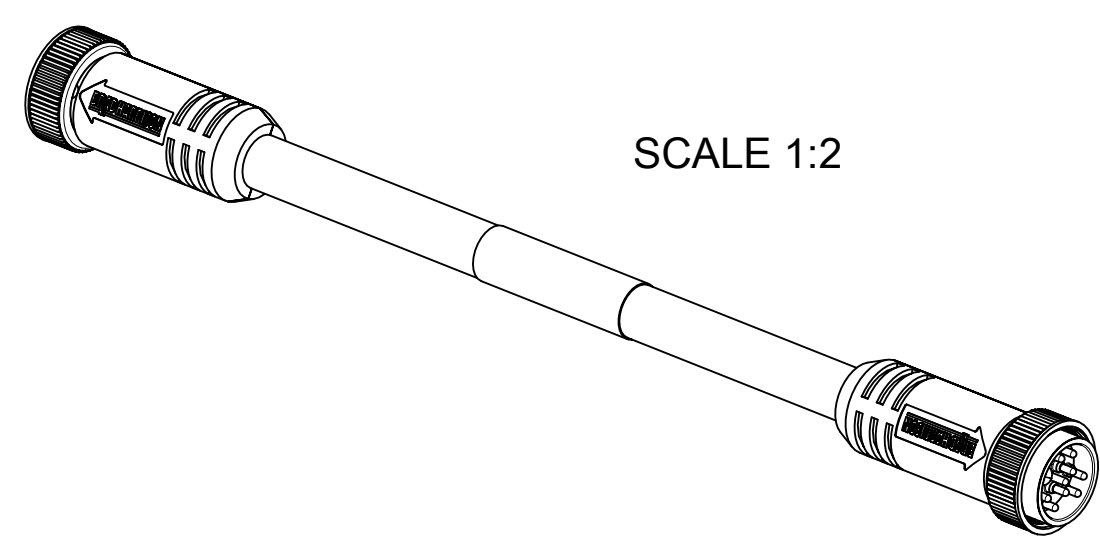
1.8 - 3.7M [6 - 12FT]: +88.9mm-0 [+3.50in-0]

3.7 - 7.3M [12 - 24FT]: +165.1mm-0 [+6.50in-0]

7.3-14.6M [24 - 48FT]: +317.5mm-0 [+12.50in-0]

14.6 - 30.5M [48-100FT]: +622.3mm-0 [+24.50in-0]

OVER 30M [100FT] +2% OF FINISHED LENGTH



- NOTES:**
- MATERIAL: AS NOTED
  - FINISH: AS NOTED
  - ELECTRICAL:  
VOLTAGE: 320V PER IEC60664  
600V PER UL2238  
CURRENT: 7A
  - TEMP RATING: -20°C TO +105°C
  - PROTECTION: IP67 (WHEN MATED)
  - CSA CERTIFIED FILE: LR6837
  - UL RECOGNIZED FILE: E152210
  - COUPLING THREAD: 1 1/8"-16UN
  - ASSEMBLY IS ROHS COMPLIANT
  - ALL DIMS ARE FOR REFERENCE UNLESS TOLERANCED OR NOTED OTHERWISE

**WIRING DIAGRAM**

S2		P1	
1	ORANGE	1	
2	BLUE	2	
3	RED/BLACK	3	
4	GREEN/BLACK	4	
5	WHITE	5	
6	RED	6	
7	GREEN/YELLOW	7	
8	WHITE/BLACK	8	
9	BLACK	9	

**PART NUMBER LEGEND**

339020A01F030

FINISHED LENGTH  
F001= .1 FT  
F020= 2 FT  
F200= 20 FT

9	WRAP LABEL	VINYL	BLACK/YELLOW
8	OVERMOLD	TPE	YELLOW
7	COUPLING NUT	ZINC DIE CAST	BLACK E-COAT
6	FRICITION RING	NYLON	WHITE
5	PIN CONTACT	Cu ALLOY	GOLD OVER NICKEL
4	SOCKET CONTACT	Cu ALLOY	GOLD OVER NICKEL
3	MALE INSERT	TPE	YELLOW
2	FEMALE INSERT	TPE	YELLOW
1	#16-9 CABLE, STOOV/ST	PVC JACKET	YELLOW
ITEM	DESCRIPTION	MATERIAL	FINISH

THIS DRAWING CONTAINS INFORMATION THAT IS PROPRIETARY TO MOLEX ELECTRONIC TECHNOLOGIES, LLC AND SHOULD NOT BE USED WITHOUT WRITTEN PERMISSION									
FUNCTIONAL SYMBOLS	FA=0	FC=0	FP=0	DIMENSION UNITS		SCALE	CURRENT REV DESC: UPDATED ITEM #2,3,8,9, MATERIAL P/N TABLE. ADDED CSA, UL, IEC VOLT, TEMP RATING, IP RATING, TOL.CHART & PART NUMBER LEGEND		
mm		1:1		GENERAL TOLERANCES (UNLESS SPECIFIED)		EC NO: 701162			
4 PLACES ±		MM		INCH		DRWN: AKABADI		2021/11/15	
3 PLACES ±		2 PLACES ±		1 PLACE ±		CHK'D: RSTONE		2022/03/30	
0 PLACES ±		ANGULAR TOL ± °		DRAFT WHERE APPLICABLE MUST REMAIN WITHIN DIMENSIONS		APPR: BWOODMAN		2022/04/08	
THIRD ANGLE PROJECTION		DRAWING		SERIES		INITIAL REVISION:		DOCUMENT NUMBER	
C-SIZE		130012		DRWN: RSTONE		2009/03/26		SD-130012-001	
APPR: JFMURPHY		2009/04/01		MATERIAL NUMBER		CUSTOMER		SHEET NUMBER	
SEE TABLE		GENERAL MARKET		1 OF 1		PSD 001 B			