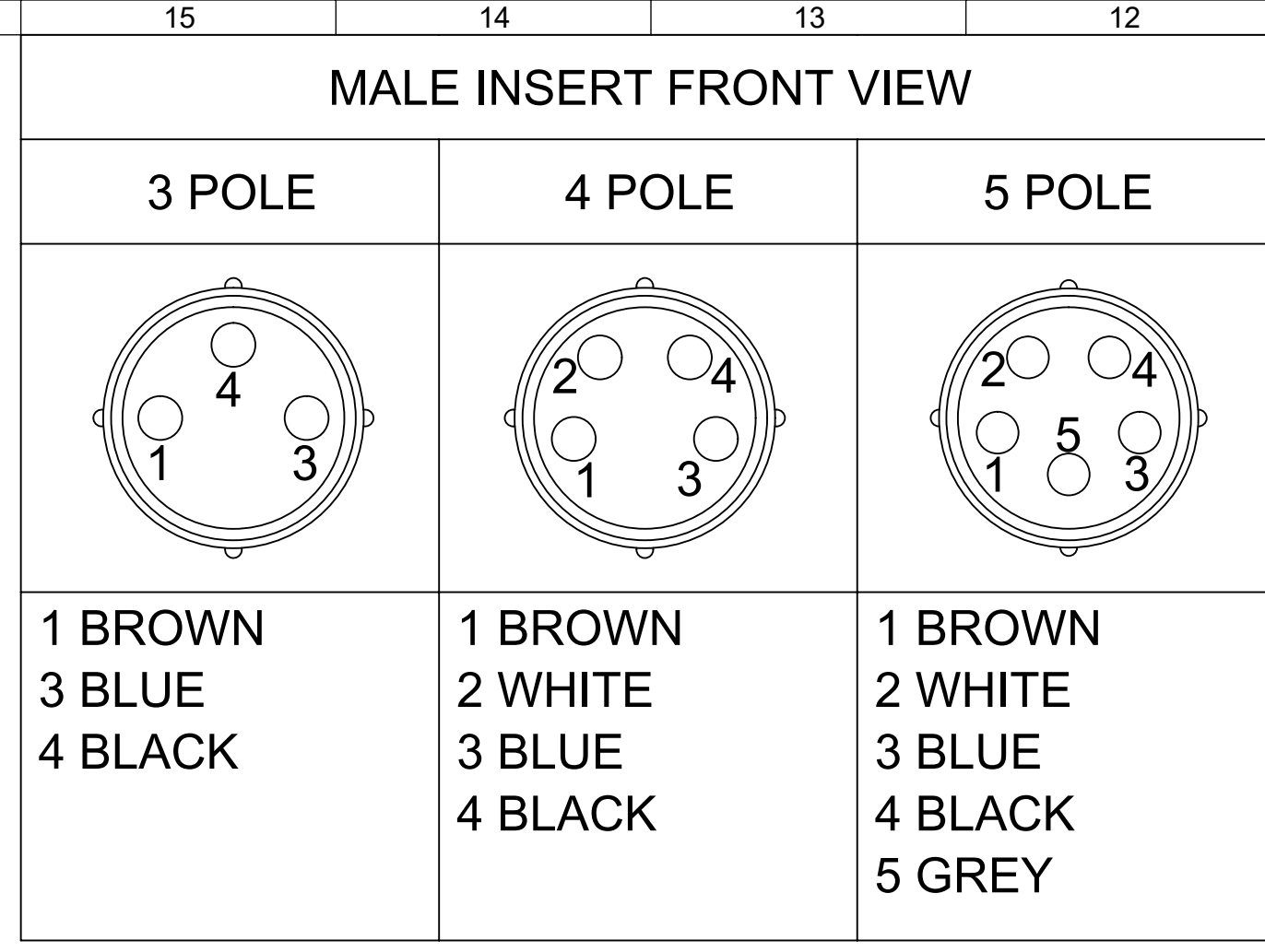


| MATERIAL NO. | ENGINEERING NO. | FINISHED LENGTH |
|--------------|-----------------|--------------------|
| 1200860131 | 403006A10M010 | 1M [3 FT 3 IN] |
| 1200860185 | 404006A10M050 | 5M [16 FT 5 IN] |
| 1200860579 | 405006A10M100 | 10M [32 FT 9.7 IN] |

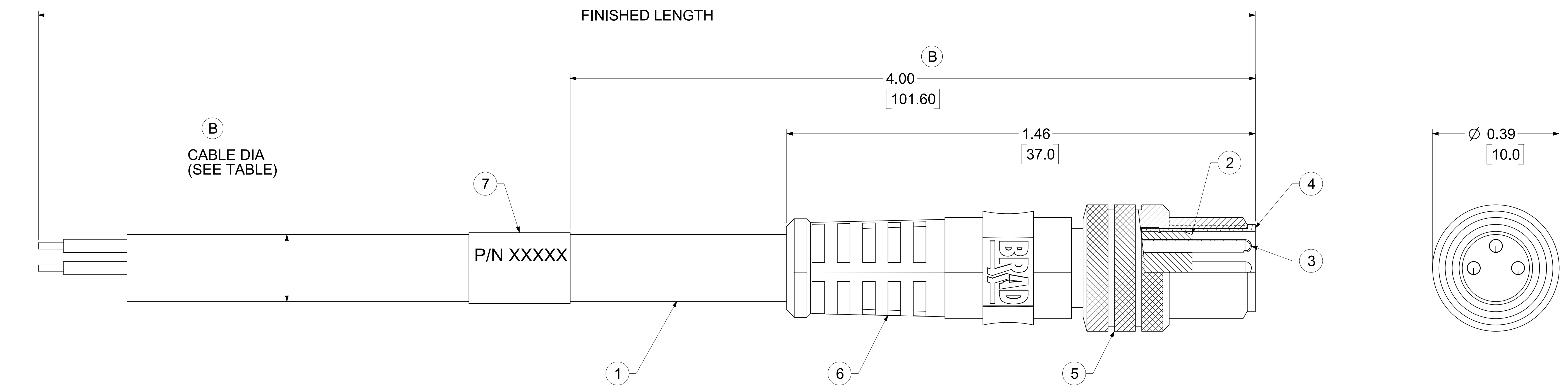
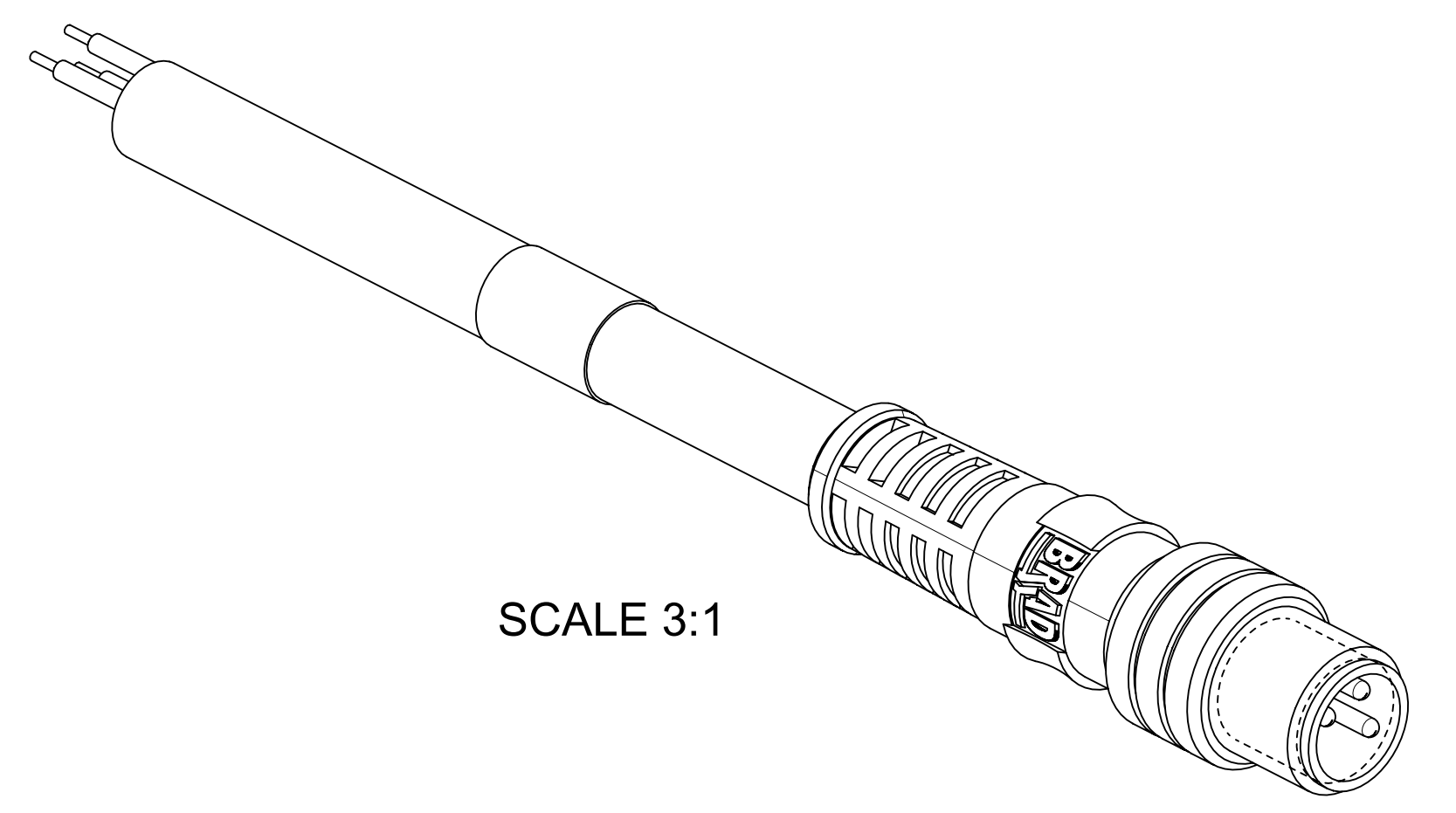


PART NUMBER LEGEND

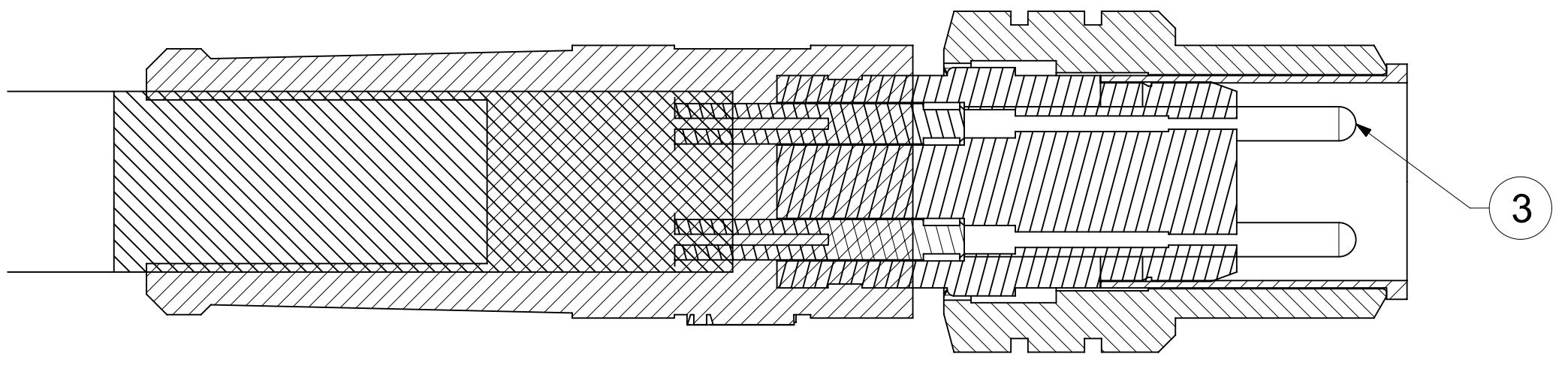
403006A10M010

3- 3 POLES
4- 4 POLES
5- 5 POLES

FINISHED LENGTH
M001 = .1 METER
M010 = 1 METER
M100 = 10 METER



- NOTES:**
- MATERIAL: AS NOTED
 - FINISH: AS NOTED
 - ELECTRICAL:
VOLTAGE: 60VAC/75VDC
CURRENT: 4A (3&4 POLE), 3A (5 POLE)
 - TEMP RATING: -20°C TO +105°C
 - PROTECTION: IP67 (WHEN MATED)
 - COUPLING THREAD: M8x1
 - UL LISTED FILE: E152210
CSA CERTIFIED FILE: LR6837
 - ALL DIMS ARE FOR REFERENCE UNLESS TOLERANCED OR NOTED OTHERWISE



| 7 | WRAP LABEL | VINYL | BLACK/YELLOW |
|------|--------------------|------------|------------------|
| 6 | OVERMOLD | TPC | YELLOW |
| 5 | MALE COUPLING NUT | BRASS | NICKEL PLATED |
| 4 | MALE SLEEVE | BRASS | NICKEL PLATED |
| 3 | PIN CONTACT | Cu ALLOY | GOLD OVER NICKEL |
| 2 | MALE INSERT | PUR | BLACK |
| 1 | CABLE, 3-5P, 24AWG | PVC JACKET | YELLOW |
| ITEM | DESCRIPTION | MATERIAL | FINISH |

| POLES | CABLE DIA. |
|-------|-------------|
| 3 | 0.17 [4.31] |
| 4 | 0.18 [4.57] |
| 5 | 0.20 [5.08] |

CABLE LENGTH TOLERANCES

<.3M [1FT]: +19mm-0 [+.75in-0]

.3 - .9M [1 - 3FT]: +44.5mm-0 [+1.75in-0]

.9 - 1.8M [3 - 6FT]: +55.6mm-0 [+2.19in-0]

1.8 - 3.7M [6 - 12FT]: +88.9mm-0 [+3.50in-0]

3.7 - 7.3M [12 - 24FT]: +165.1mm-0 [+6.50in-0]

7.3-14.6M [24 - 48FT]: +317.5mm-0 [+12.50in-0]

14.6 - 30.5M [48-100FT]: +622.3mm-0 [+24.50in-0]

OVER 30M [100FT] +2% OF FINISHED LENGTH

| | | | | | |
|--------------------|---------------------------------------|---|------|---|-----------|
| FUNCTIONAL SYMBOLS | | THIS DRAWING CONTAINS INFORMATION THAT IS PROPRIETARY TO MOLEX ELECTRONIC TECHNOLOGIES, LLC AND SHOULD NOT BE USED WITHOUT WRITTEN PERMISSION | | CURRENT REV DESC: ITEM # 6 WAS PVC, UPDATED MATERIAL TABLE. ADDED STD. NOTES, PART NUMBER LEGEND, TOL. TABLE & CABLE DIA. | |
| FA = 0 | INCH/MM | SCALE | 6:1 | EC NO: 701162 | |
| FC = 0 | GENERAL TOLERANCES (UNLESS SPECIFIED) | | | DRWN: AKABADI 2021/10/06 | |
| FE = 0 | | MM | INCH | CHK'D: RSTONE 2022/03/30 | |
| DIVISIONAL SYMBOLS | | 4 PLACES | ± | APPR: BWOODMAN 2022/04/08 | |
| | | 3 PLACES | ± | INITIAL REVISION: | |
| | | 2 PLACES | ± | DRWN: NKUMAR01 14/07/09 | |
| | | 1 PLACE | ± | APPR: JFMURPHY 14/07/09 | |
| | | 0 PLACES | ± | THIRD ANGLE PROJECTION | |
| | | ANGULAR TOL | ± ° | DRAFT WHERE APPLICABLE MUST REMAIN WITHIN DIMENSIONS | |
| | | D-DRAWING | | SERIES | 120086 |
| | | MATERIAL NUMBER | | CUSTOMER | SEE TABLE |
| | | DOCUMENT NUMBER | | DOC TYPE | PSD |
| | | DOC PART | | 001 | |
| | | REVISION | | B | |
| | | SHEET NUMBER | | 1 OF 1 | |



NANO-CHANGE CORDSET, M8
3-5 POLE, MALE, STRAIGHT, 24 AWG

PRODUCT CUSTOMER DRAWING

SD-120086-132 PSD 001 B

GENERAL MARKET