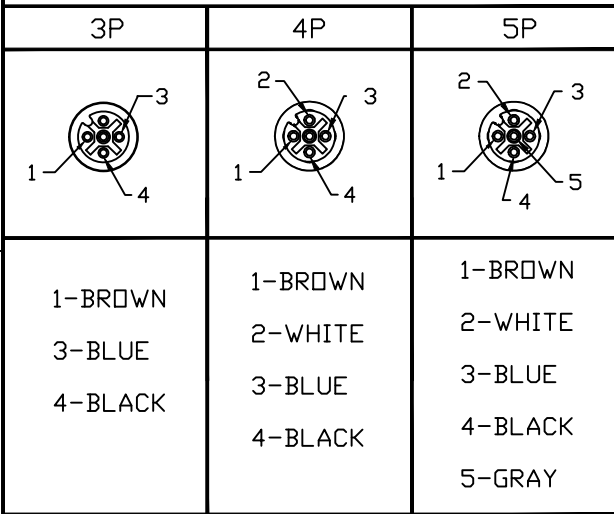
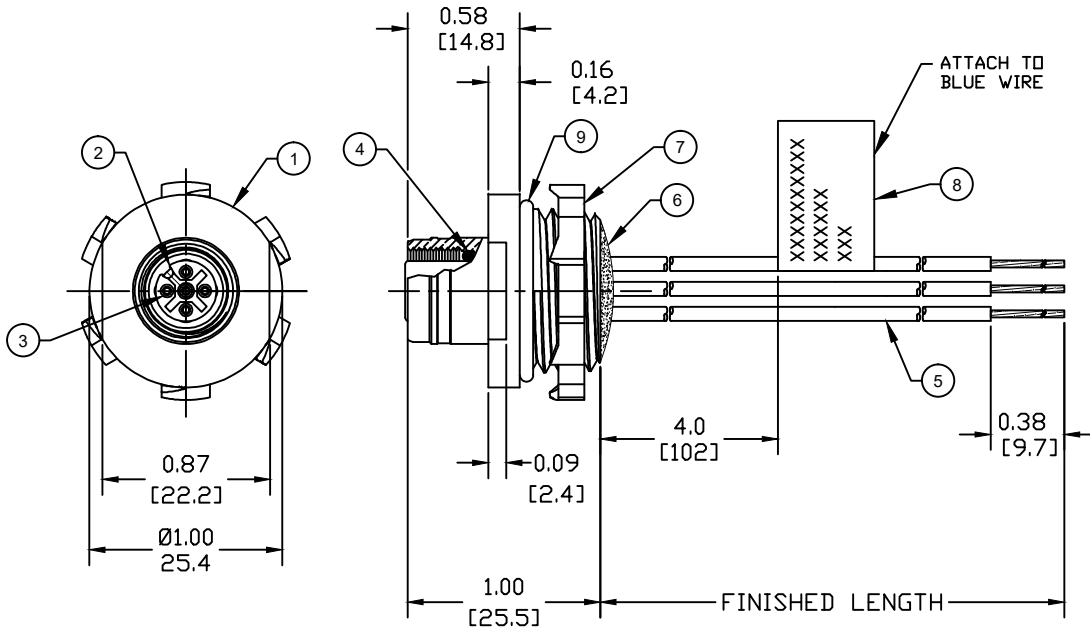
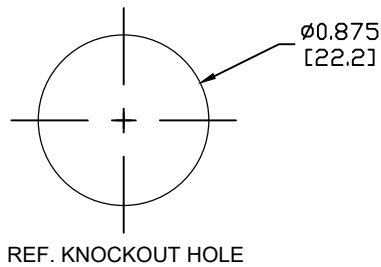


FACE VIEW - FEMALE INSERT



CABLE LENGTH TOLERANCES
 >.3M [1FT]: +19mm-0 [+1.75in-0]
 .3 - .9M [1 - 3FT]: +44.5mm-0 [+1.75in-0]
 .9 - 1.8M [3 - 6FT]: +55.6mm-0 [+2.19in-0]
 1.8 - 3.7M [6 - 12FT]: +88.9mm-0 [+3.50in-0]
 3.7 - 7.3M [12 - 24FT]: +165.1mm-0 [+6.50in-0]
 7.3-14.6M [24 - 48FT]: +317.5mm-0 [+12.50in-0]
 14.6 - 30.5M [48-100FT]: +622.3mm-0 [+24.50in-0]
 OVER 30M [100FT] +2% OF FINISHED LENGTH

PART NUMBER LEGEND
WR4000A18M0108
 POLES → SS SHELL
 WIRE TYPE → 22 AWG PVC
 FINISHED LENGTH:
 M005 = 0.5 METER
 M010 = 1 METER
 M100 = 10 METER



- NOTES:
 1. MATERIAL: AS NOTED
 2. FINISH: AS NOTED
 3. ELECTRICAL:
 VOLTAGE: 250V
 CURRENT: 4A
 4. TEMP RATING: -25°TO +80°C
 5. PROTECTION: IP67 (WHEN MATED)
 6. COUPLING THREAD: M12 X 1
 7. CSA RECOGNIZED PER FILE: LR6837
 8. ALL DIMS ARE FOR REFERENCE
 UNLESS NOTED OTHERWISE

PART NO.	ENGINEERING NO.	FINISHED LENGTH	POLES
1200840025	WR5000A16C300	0.3M [1'0"]	5
1200840023	WR5000A18M0108	1.0M [3'3"]	5

ITEM	DESCRIPTION	MATERIAL	FINISH
9	GASKET	BUNA-N	BLACK
8	FLAG LABEL	VINYL	BLACK/YELLOW
7	LOCK NUT	STEEL	ZINC PLATED
6	POTTING MATERIAL	EPDXY	
5	WIRE, 22 AWG UL 1061	PVC INSULATION	SEE FACE VIEW
4	O-RING	VITON	RED
3	CONTACT SOCKET	COPPER ALLDY	GOLD PLATED
2	FEMALE INSERT	NYLON	BLACK
1	RECEPTACLE SHELL	ST. STEEL	PASSIVATED

RELEASE	EC NO: ICG2020-0011	DRWN: JCAPPOZZ 2019/08/01	CHKD: RSTONE 2019/08/01	APPR: BWOODMAN 2019/08/15
QUALITY SYMBOLS	▽=0	▽=0		

	GENERAL TOLERANCES (UNLESS SPECIFIED)	
	mm	INCH
4 PLACES	±---	±---
3 PLACES	±---	±.005
2 PLACES	±0.05	±0.010
1 PLACE	±0.10	±---
ANGULAR ± 5°		
DRAFT WHERE APPLICABLE MUST REMAIN WITHIN DIMENSIONS		

DIMENSION STYLE	SCALE	DESIGN UNITS	THIRD ANGLE PROJECTION
INCH ONLY	NTS	INCH	☉
DRAWN BY DATE	TITLE		
JCAPPOZZ 2019/08/01	M12 U-LOCK RECEPT ASSY 3, 4, 5P F/FR 1/2 NPT		
CHECKED BY DATE	MOLEX INCORPORATED		
RSTONE 2019/08/01	SD-120084-182		
APPROVED BY DATE	DOCUMENT NO.		SHEET NO.
BWOODMAN 2019/08/15	SEE P/N CHART		1 OF 1
THIS DRAWING CONTAINS INFORMATION THAT IS PROPRIETARY TO MOLEX INCORPORATED AND SHOULD NOT BE USED WITHOUT WRITTEN PERMISSION			