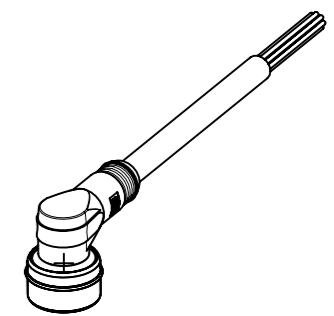


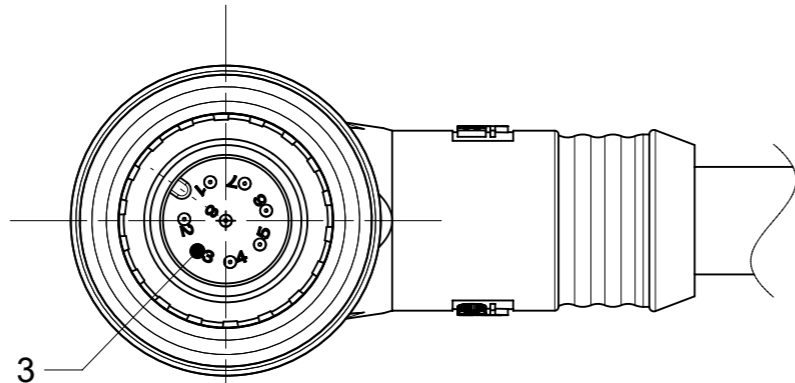
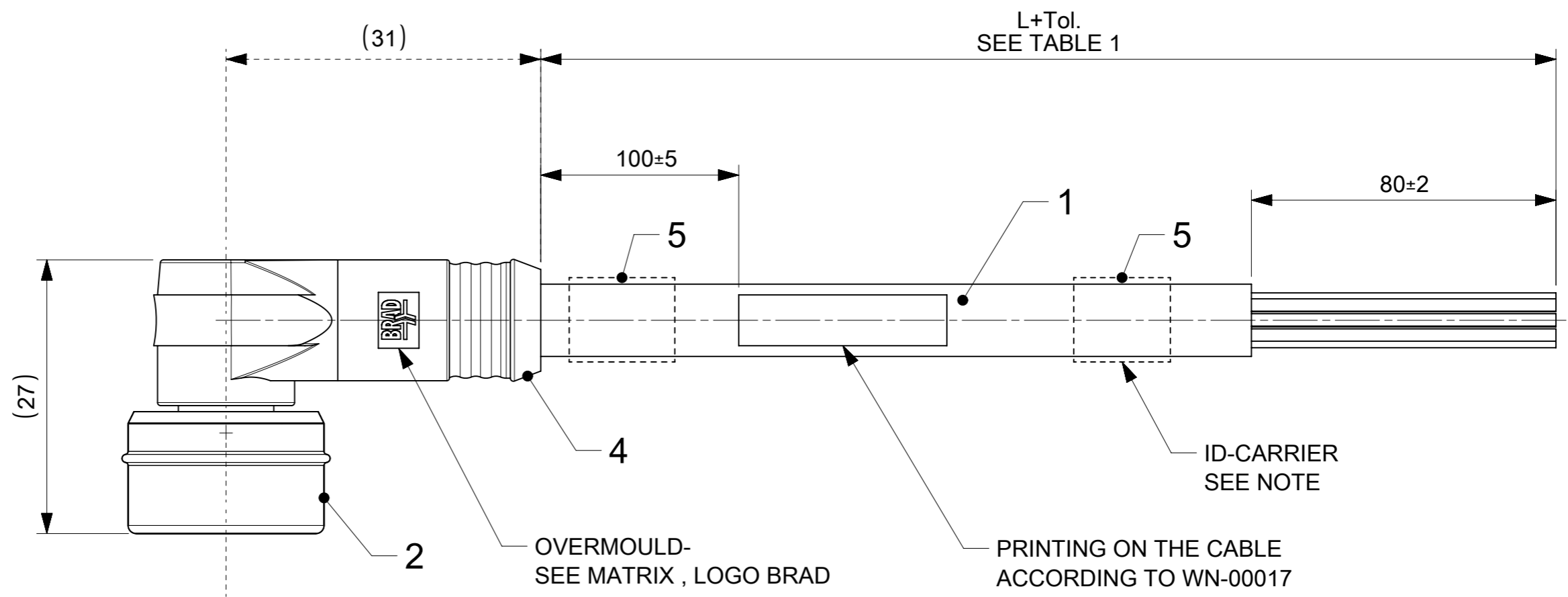
VIEW FROM FRONT SIDE

PIN	WIRE COLOR
1	WHITE
2	BROWN
3	GREEN
4	YELLOW
5	GREY
6	PINK
7	BLUE
8	RED

CONNECTOR SPECIFICATION :  
 VOLTAGE : 30V AC/DC  
 AMPERAGE RATING : MAX. 2 AMPS  
 PROTECTION : IP67/68/69K  
 OPERATING TEMPERATURE : -20°C TO +80°C



SCALE 1:2



VIEW FROM THE FRONT SIDE

BILL OF MATERIAL

ITEM	QTY.	DISCRIPTION	MATERIAL	FINISH/COLOR
1	-	CABLE	SEE MATRIX	SEE MATRIX
2	1	U12 8P PLUG ASSEMBLY	-	-
3	8	CONTACT FEMALE	COPPER	SELECTIVE GOLD OVER NICKEL
4	-	MOULDING	TPU	SEE MATRIX
5	SEE MATRIX	ID CARRIER	PVC	TRASPARENT

FUNCTIONAL SYMBOLS $\nabla_A = 0$ $\nabla_E = 0$ $\nabla_V = 0$	THIS DRAWING CONTAINS INFORMATION THAT IS PROPRIETARY TO MOLEX ELECTRONIC TECHNOLOGIES, LLC AND SHOULD NOT BE USED WITHOUT WRITTEN PERMISSION DIMENSION UNITS: mm SCALE: 2:1 GENERAL TOLERANCES (UNLESS SPECIFIED): ANGULAR TOL ± 1.0° 4 PLACES ± 3 PLACES ± 2 PLACES ± 0.05 1 PLACE ± 0.3 0 PLACES ± 0.5 DRAFT WHERE APPLICABLE MUST REMAIN WITHIN DIMENSIONS	CURRENT REV DESC: EC NO: 698441 DRWN: SSM CHK'D: RSILLER APPR: RSILLER INITIAL REVISION: DRWN: MMAJGAT APPR: MIWASIECZKO	2021/12/22 2022/03/08 2022/03/08 2016/09/07 2016/09/09	 CSE U12 8P AC MA XM SE UNSH PRODUCT CUSTOMER DRAWING	DOCUMENT NUMBER: 1200798044 DOC TYPE: PSD DOC PART: 000 REVISION: A2
	DIVISIONAL SYMBOLS 1 PLACE ± 0.3 0 PLACES ± 0.5	THIRD ANGLE PROJECTION 	DRAWING: A3-SIZE SERIES: 120079	MATERIAL NUMBER: SEE TABLE 1 CUSTOMER: GENERAL MARKET	SHEET NUMBER: 1 OF 2

NOTE :  
 IF IN MATRIX IS "H" - ADD ID-CARRIERS  
 ON THE BOTH SIDES HARNESS

ENGINEERING NO. - NUMERICAL CODE (Available parts see PART LIST table. Other parts available upon request).

OPTIONS

W 0 8 0 0 7 X X X X X X X X

W0=U12  
Ultra Lock  
Single ended

Poles:  
8=8 Poles

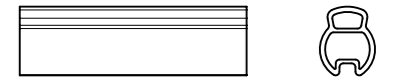
Heads style:  
007=Plug Male 90°

Cable type: See Table

Length  
Examples:  
005=0.5 units  
010=1 units  
100=10 units

UNIT :  
M = METER  
F = FEET  
C = CENTIMETERS  
T = 10M

Overmold color:  
Blank (Standard)=Black  
A=Grey / G=Black / Y=Yellow  
  
H= 2 pcs. of I/D Carrier PVC Transparent



CABLE SPECIFICATION :

CABLE TYPE	NO. OF WIRES	CROSS SECTION	CABLE JACKET	UL	CSA	STATIC: TEMP. / BENDING RADIUS	DYNAMIC: TEMP. / BENDING RADIUS	DRAG CHAIN	SHIELD
H08	8	0.25mm <sup>2</sup>	PUR BLACK LS0H	UL 21198/10493	C22.2 I/II A/B 80°C/300V	-40°C to +80°C, 5xO.D.	-25°C to +80°C, 10xO.D.	2 000 000 cycles at 20°C, Temp. range +5°C to +60°C	-
P02	8	0.25mm <sup>2</sup>	PUR / PVC BLACK	-	-	-30°C to +80°C, 7xO.D.	-5°C to +80°C, 15xO.D.	-	-

TABLE 1

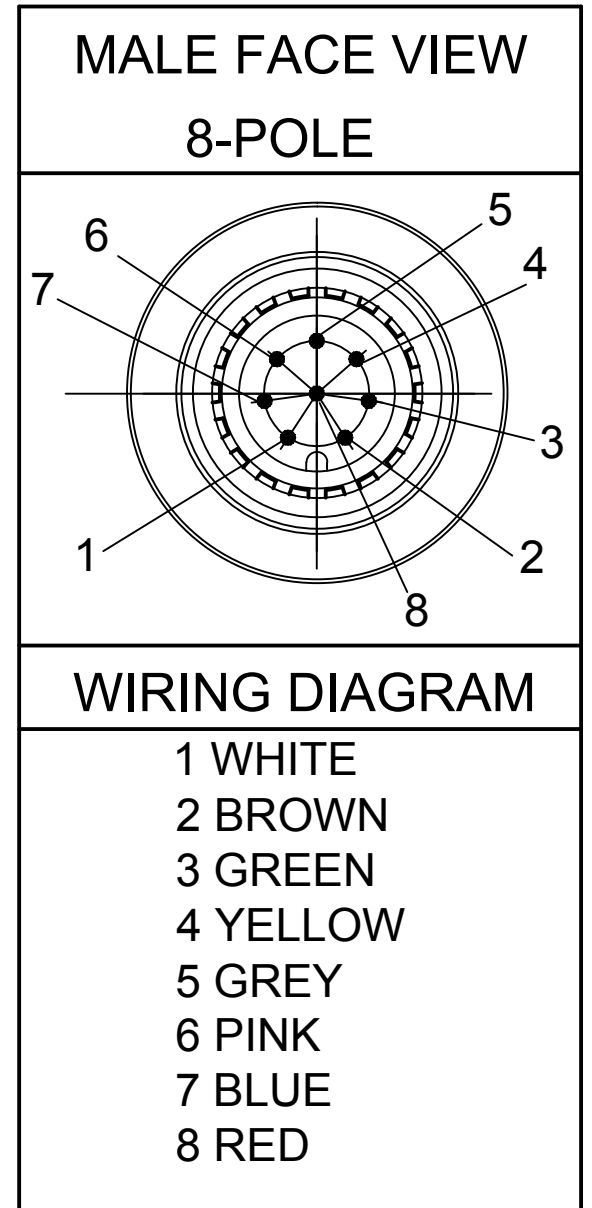
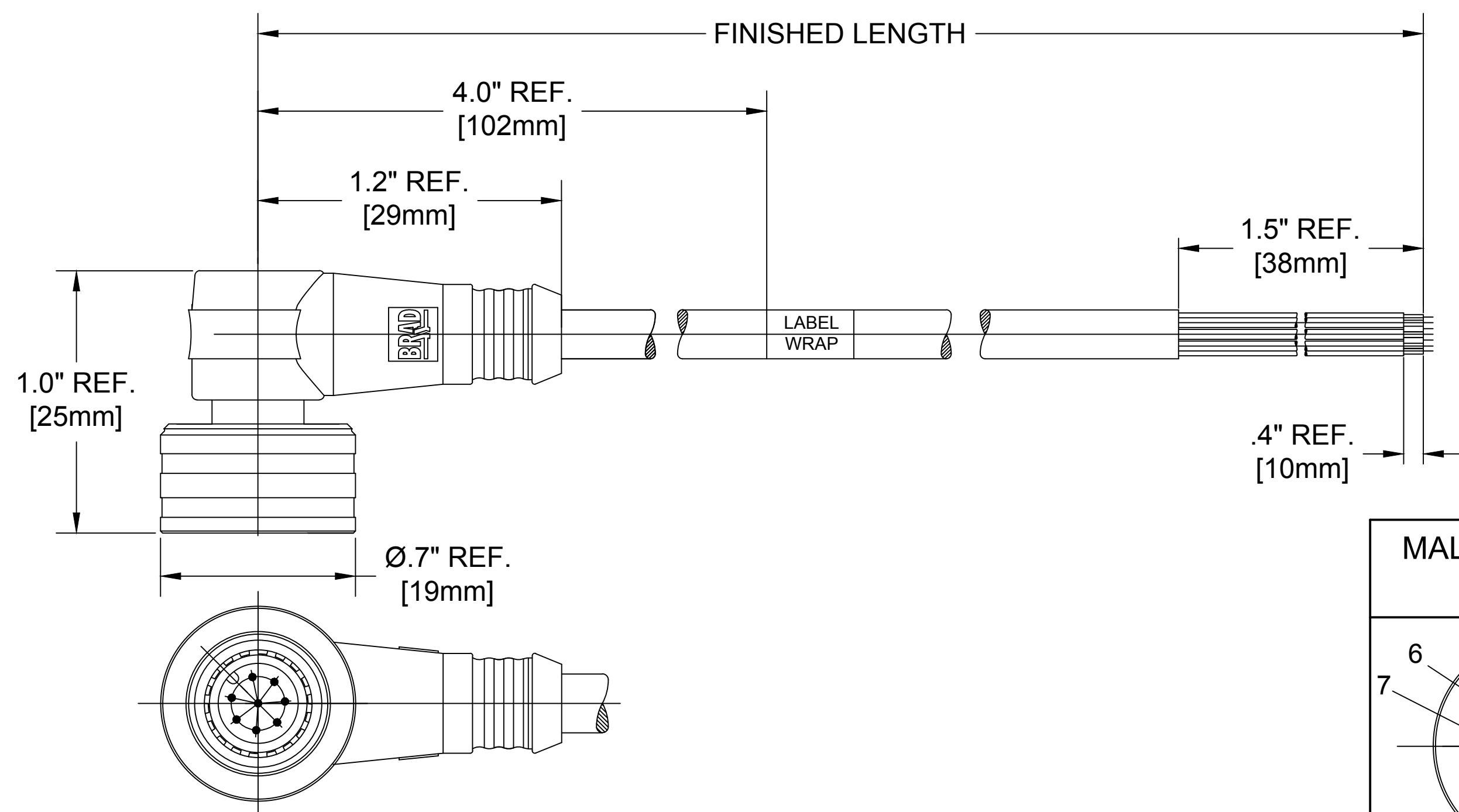
No.	Molex P/N	Engineering no.	Cable Length
1	1200798044	W08007H08M020	2m
2	1200798155	W08007H08M050	5m
3	1200798156	W08007H08M100	10m
4			
5			
6			
7			
8			
9			
10			
11			

CABLE LENGTH TOLERANCES

OVER	UP TO AND INCLUDING	TOLERANCES
0	305mm	+19mm
305mm	915mm	+45mm
915mm	1830mm	+56mm
1830mm	3660mm	+89mm
3660mm	7320mm	+165mm
7320mm	14640mm	+317mm
14640mm	30500mm	+610mm
30500mm	>	+2% of finished length

FUNCTIONAL SYMBOLS	THIS DRAWING CONTAINS INFORMATION THAT IS PROPRIETARY TO MOLEX ELECTRONIC TECHNOLOGIES, LLC AND SHOULD NOT BE USED WITHOUT WRITTEN PERMISSION		CURRENT REV DESC:		<b>molex</b>
	△/A = 0	mm	SCALE 1:1		
DIVISIONAL SYMBOLS	GENERAL TOLERANCES (UNLESS SPECIFIED)				EC NO: 698441 DRWN: SSM CHK'D: RSILLER APPR: RSILLER
	△/E = 0	ANGULAR TOL ± 1.0°			
DIVISIONAL SYMBOLS	△/F = 0	4 PLACES	±		2021/12/22
		3 PLACES	±		2022/03/08
		2 PLACES	± 0.05		2022/03/08
		1 PLACE	± 0.3		
	0 PLACES	± 0.5			
DRAFT WHERE APPLICABLE MUST REMAIN WITHIN DIMENSIONS		THIRD ANGLE PROJECTION	DRAWING	SERIES	DOCUMENT NUMBER
			A3-SIZE	120079	1200798044
					DOC TYPE DOC PART REVISION
					PSD 000 A2
					MATERIAL NUMBER CUSTOMER SHEET NUMBER
					SEE TABLE 1 GENERAL MARKET 2 OF 2

MATERIAL NUMBER	OLD PART NUMBER	FINISHED LENGTH
1200798044	W08007H08M020	2M +89mm -0 [6.6FT +3.5IN -0]



# W08007H08M020

CABLE TYPE  
8 x .25mm<sup>2</sup>  
BLACK PUR

CABLE LENGTH  
M020 --2 meters  
M100 --10 meters

## SPECIFICATION DATA

COMPONENT	MATERIAL	FINISH
LABEL	MYLAR	BLACK/YELLOW
COUPLER	BRASS	NICKEL PLATED
CONTACT	COPPER ALLOY	Au OVER Ni
O-RING	VITON	GREEN
INSERT	NYLON	BLACK
OVERMOLD	TPE	BLACK
CABLE #24/8	PUR	BLACK
VOLTAGE RATING:		30V
AMPERAGE RATING:		2A
PROTECTION CLASS:		IP67/68/69K
OPERATING TEMPERATURE:		-20°C / 80°C

RELEASE EC NO: IFC2014-0567 DRWN: GGUSTAFS 2013/09/05 CH'KD: TWOLDEGE APPR: BWOODMAN2013/11/12	QUALITY SYMBOL	GENERAL TOLERANCES (UNLESS SPECIFIED)	DIMENSION STYLE	SCALE	DESIGN UNITS	THIRD ANGLE PROJECTION															
	$\nabla=0$ $\nabla C=0$	<table border="1"> <tr> <td></td> <td>mm</td> <td>INCH</td> </tr> <tr> <td>4 PLACES</td> <td>±---</td> <td>±---</td> </tr> <tr> <td>3 PLACES</td> <td>±---</td> <td>±.005</td> </tr> <tr> <td>2 PLACES</td> <td>±0.13</td> <td>±.010</td> </tr> <tr> <td>1 PLACE</td> <td>±0.25</td> <td>±.020</td> </tr> </table>		mm	INCH	4 PLACES	±---	±---	3 PLACES	±---	±.005	2 PLACES	±0.13	±.010	1 PLACE	±0.25	±.020	IN/MM	NTS	INCH	
		mm	INCH																		
	4 PLACES	±---	±---																		
3 PLACES	±---	±.005																			
2 PLACES	±0.13	±.010																			
1 PLACE	±0.25	±.020																			
DESCRIPTION	ANGULAR ±.5°	DRAWN BY DATE	TITLE																		
REV	DRAFT WHERE APPLICABLE MUST REMAIN WITHIN DIMENSIONS	LSTEMMLE 2010/02/10	MICRO-CHANGE ULTRA LOCK 8-POLE MALE 90 DEGREE 8 X .25MM2 BLACK PUR																		
		CHECKED BY DATE	MOLEX INCORPORATED																		
		TWOLDEGE 2013/09/12	SD-120079-069																		
		APPROVED BY DATE	SHEET NO. 1 OF 1																		
		BWOODMAN 2013/11/12	THIS DRAWING CONTAINS INFORMATION THAT IS PROPRIETARY TO MOLEX INCORPORATED AND SHOULD NOT BE USED WITHOUT WRITTEN PERMISSION																		
		MATERIAL NO.																			
		SEE CHART																			
		SIZE C																			