

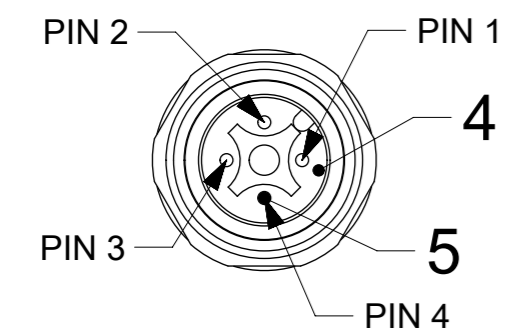
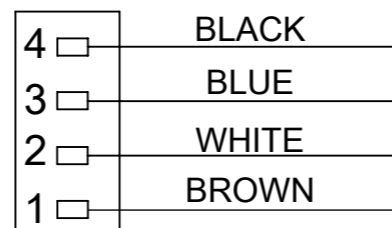
CABLE SPECIFICATION:

CONDUCTOR:
SECTION: 4x0.34mm²
INSULATION:
MATERIAL: PVC
DIAMETER: 1.17±0.10mm
JACKET:
COLOR: YELLOW
DIAMETER: 4.65-5.14mm
MATERIAL: PVC

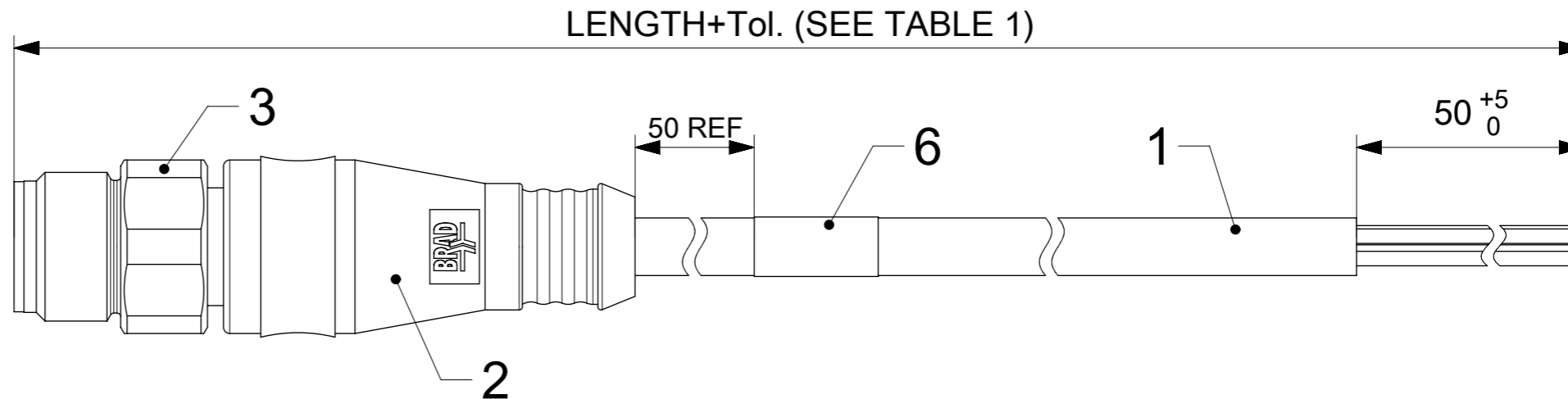
ELECTRICAL DATA:

RATED VOLTAGE: 250V
RATED CURRENT: 4A
PROTECTION CLASS: IP67
TEMPERATURE: -25°C TO +85°C

WIRING DIAGRAM



VIEW FROM THE FRONT SIDE



ITEM	QTY.	DESCRIPTION	MATERIAL	FINISH
6	1	WRAP LABEL YELLOW	VINYL	-
5	4	CONTACT MALE	BRASS	GOLD OVER Ni-PLATED
4	1	INSERT MALE AC 4P	NYLON	PUR
3	1	COUPLING NUT M12 MALE	SS HEX	-
2	-	MOULDING MATERIAL YELLOW	PVC	-
1	-	CABLE 4X0.34MM YELLOW	PVC	-

TABLE 1

No	Part No	Engineering No	Cable Length
1	1200650913	804006A09M0208	2m
2	1200650914	804006A09M0308	3m
3	1200650915	804006A09M0508	5m
4	1200650917	804006A09M1008	10m
5	1200656063	804006A09M1508	15m
6	1200659605	804006A09M2008	20m

OVER	UP TO AND INCLUDING	TOLERANCE (+)
0	305	+19
305	915	+45
915	1830	+56
1830	3660	+89
3660	7320	+165
7320	14640	+317
14640	30500	+610
30500	>	+2% OF LENGTH

<p>QUALITY SYMBOLS</p> <p>▽A = 0</p> <p>▽E = 0</p> <p>▽F = 0</p> <p>▽ = 0</p> <p>▽C = 0</p> <p>⊗ = 0</p> <p>■ = 0</p> <p>▽ = 0</p>	<p>THIS DRAWING CONTAINS INFORMATION THAT IS PROPRIETARY TO MOLEX ELECTRONIC TECHNOLOGIES, LLC AND SHOULD NOT BE USED WITHOUT WRITTEN PERMISSION</p>		<p>DIMENSION UNITS: MM</p> <p>SCALE: 2:1</p>		<p>MIC 4P M/MP XM 22/4 PVC</p>	
	<p>EC NO: 117755</p> <p>DRWN: AKONDRACIUK</p> <p>CHK'D: MIWASIECZKO</p> <p>REV: A</p>	<p>2017/06/03</p> <p>2017/06/06</p>	<p>GENERAL TOLERANCES (UNLESS SPECIFIED)</p> <p>ANGULAR TOL ± °</p> <p>4 PLACES ±</p> <p>3 PLACES ±</p> <p>2 PLACES ±</p> <p>1 PLACE ±</p> <p>0 PLACES ±</p>			<p>DRWN BY: AKONDRACIUK</p> <p>DATE: 2017/06/03</p>
			<p>DRAFT WHERE APPLICABLE MUST REMAIN WITHIN DIMENSIONS</p>			<p>CHK'D BY: MIWASIECZKO</p> <p>DATE: 2017/06/06</p>
			<p>DRAWING SIZE: A3</p> <p>THIRD ANGLE PROJECTION</p>			<p>APPR BY: MIWASIECZKO</p> <p>DATE: 2017/06/06</p>
<p>RELEASE STATUS: P1</p> <p>RELEASE DATE: 06.06.2017 06:24:04</p>		<p>PRODUCT CUSTOMER DRAWING</p> <p>SERIES: 120065</p> <p>MATERIAL NUMBER: SEE TABLE 1</p> <p>CUSTOMER: GENERAL MARKET</p>		<p>DOCUMENT NUMBER: 1200650913</p> <p>DOC TYPE: PSD</p> <p>DOC PART: 000</p> <p>SHEET NUMBER: 1 OF 1</p>		