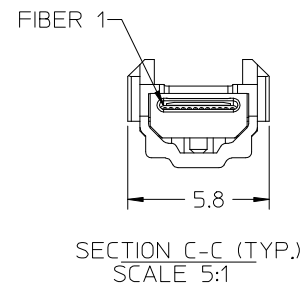
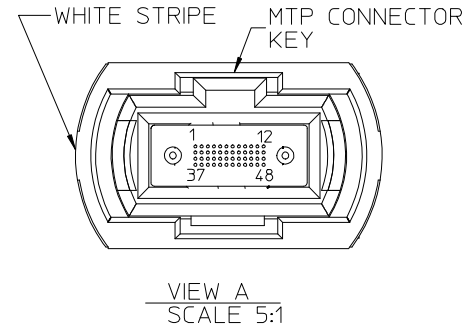
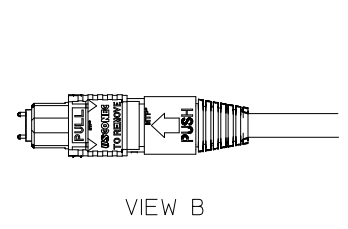
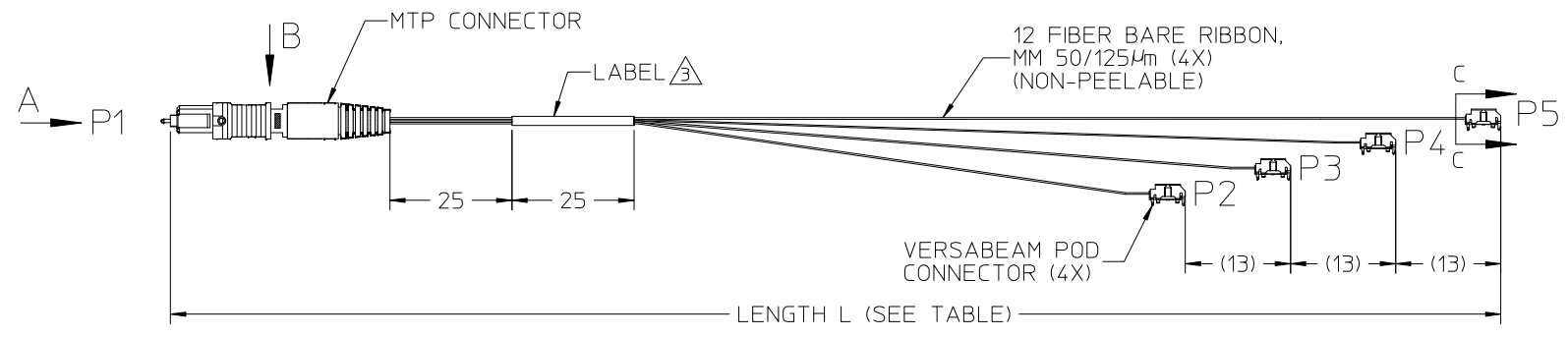


JUMPER P/N	LENGTH L [m]	MTP CONN. TYPE
106267-2041	0.5 +0.1/-0	FEMALE
106267-2042	1.0 +0.2/-0	
106267-2051	0.5 +0.1/-0	MALE
106267-2052	1.0 +0.2/-0	

CONNECTIONS	
P1-1 THRU P1-12	P5-1 THRU P5-12
P1-13 THRU P1-24	P4-1 THRU P4-12
P1-25 THRU P1-36	P3-1 THRU P3-12
P1-37 THRU P1-48	P2-1 THRU P2-12



- NOTES:
1. END CAPS ARE NOT SHOWN BUT INCLUDED.
 2. MTP MALE CONNECTOR IS SHOWN. FEMALE CONNECTOR DOES NOT CONTAIN PINS.
 3. INSERTION LOSS @ 850nm TO AN INTERPOSER: 2.0 dB. THROUGHPUT LOSS (MTP+VERSABEAM POD): 1.5dB. TEST DATA IS SENT WITH JUMPER.
 4. LABEL IS PRINTED WITH MOLEX NAME, PART NUMBER AND SERIAL NUMBER.

ENTER DESCRIPTION EC NO: MF2015-0098 DRWN: SBOJANIC 2014/08/21 CHKD: APPR: IGUMIN 2014/08/25 REV	QUALITY SYMBOLS ▽=0 ▽=0	GENERAL TOLERANCES (UNLESS SPECIFIED) mm INCH 4 PLACES ± --- ± --- 3 PLACES ± --- ± --- 2 PLACES ± --- ± --- 1 PLACE ± --- ± --- ANGULAR ±1/2°	DIMENSION STYLE MM ONLY DRAWN BY DATE EEFUNG 2010/08/10 CHECKED BY DATE	SCALE 1:1 DESIGN UNITS INCH THIRD ANGLE PROJECTION	
	DRAFT WHERE APPLICABLE MUST REMAIN WITHIN DIMENSIONS		APPROVED BY DATE IGUMIN 2014/08/25	TITLE MTP48 TO 4X VERSABEAM POD JUMPER, MM 50/125UM	
	MATERIAL NO.		MOLEX INCORPORATED	DOCUMENT NO. SD-106267-2041	SHEET NO. 1 OF 1
	SIZE B		THIS DRAWING CONTAINS INFORMATION THAT IS PROPRIETARY TO MOLEX INCORPORATED AND SHOULD NOT BE USED WITHOUT WRITTEN PERMISSION		