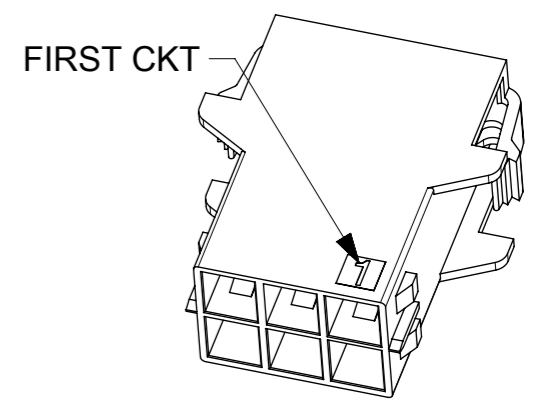
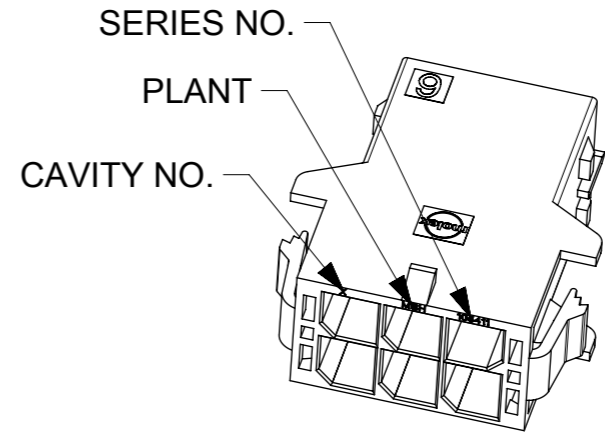
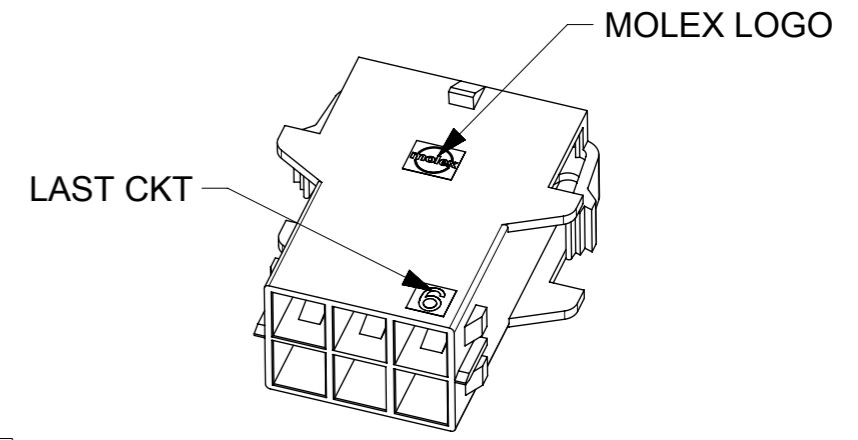
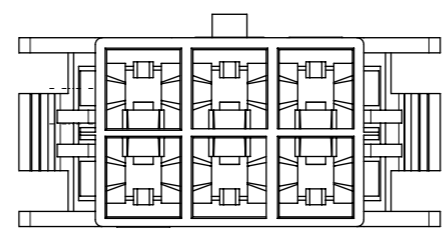
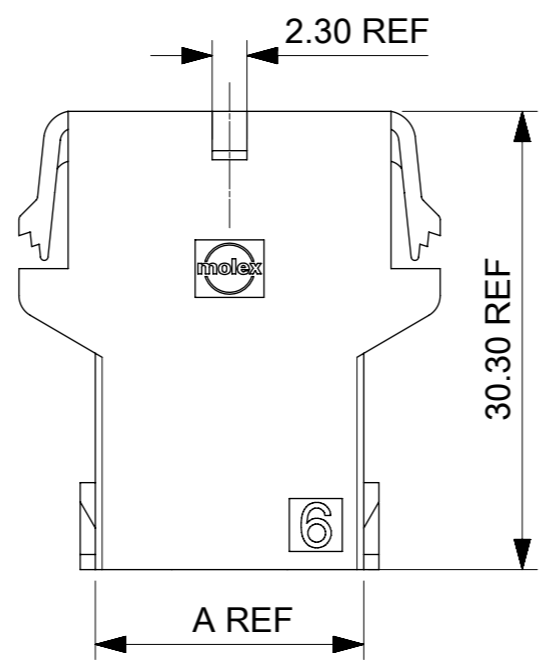
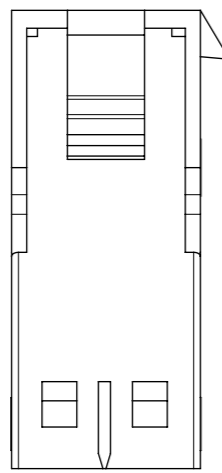
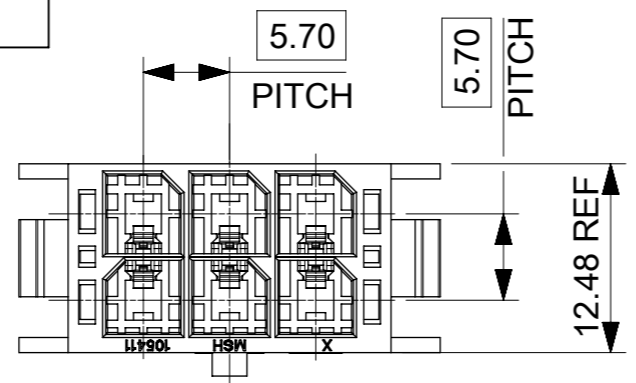
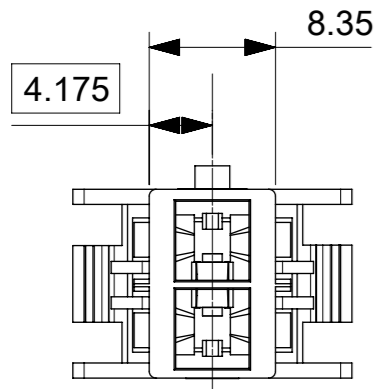


CIRCUIT	PART NO.	DIM A	DIM B	COLOR
2	105411-1102	8.35	12.45	BLACK
4	105411-1104	12.05	16.15	
6	105411-1106	17.75	21.85	
8	105411-1108	23.45	27.55	
10	105411-1110	29.15	33.25	
12	105411-1112	34.85	38.95	

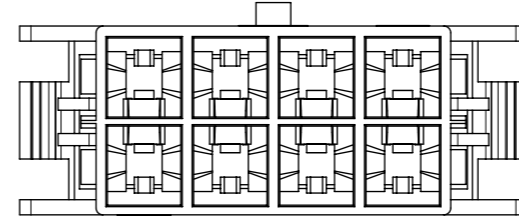
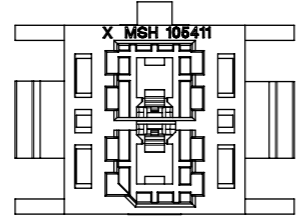


- NOTES:**
- MATERIAL: NYLON,UL 94V-0 AND GLOW WIRE CAPABLE PER IEC60335-1. COLOR BLACK.
 - PART USED WITH MOLEX SERIES.
RECEPTACLE HOUSING: 171692
TPA: 105415
MALE TERMINAL: 105417/105418.
 - PRODUCT SPECIFICATION:1054171000-PS
 - PACKAGING SPECIFICATION: 1054110200
 - APPLICATION SPECIFICATION:768232000-AS

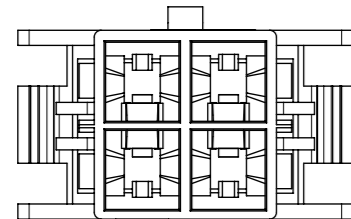
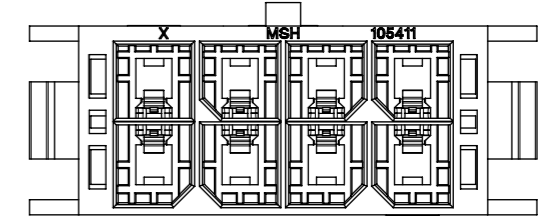
SYMBOLS	THIS DRAWING CONTAINS INFORMATION THAT IS PROPRIETARY TO MOLEX ELECTRONIC TECHNOLOGIES, LLC AND SHOULD NOT BE USED WITHOUT WRITTEN PERMISSION					
	DIMENSION UNITS	SCALE				
▽ = 0	mm		EC NO: 628261		DOCUMENT NUMBER	
▽ = 0	GENERAL TOLERANCES (UNLESS SPECIFIED)		DRWN: ALUO02 2019/11/28		DOC TYPE	
▽ = 0	ANGULAR TOL ± 0.5°		CHK'D: AYIN 2019/12/11		DOC PART	
▽ = 0	4 PLACES ±		APPR: AYIN 2019/12/11		REVISION	
▽ = 0	3 PLACES ±		INITIAL REVISION:		1054110200	
▽ = 0	2 PLACES ± 0.25		DRWN: YXZHENG 2016/12/15		PSD	
▽ = 0	1 PLACE ± 0.35		APPR: YXZHENG 2018/08/06		000	
▽ = 0	0 PLACES ±		DRAFT WHERE APPLICABLE MUST REMAIN WITHIN DIMENSIONS		D1	
▽ = 0	THIRD ANGLE PROJECTION		DRAWING	SERIES	MATERIAL NUMBER	
▽ = 0	A3-SIZE		105411	SEE CHART	CUSTOMER	
			GENERAL MARKET		SHEET NUMBER	
					1 OF 2	



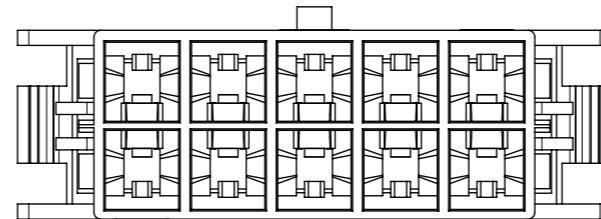
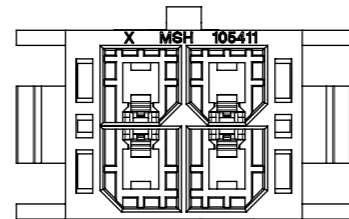
2 CIRCUITS



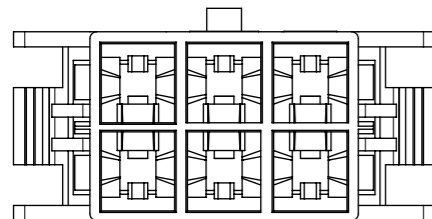
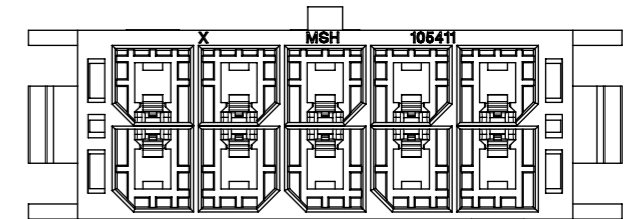
8 CIRCUITS



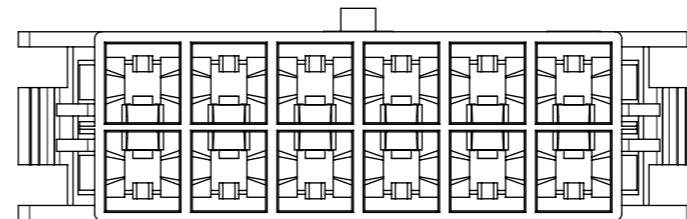
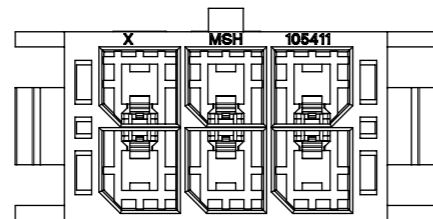
4 CIRCUITS



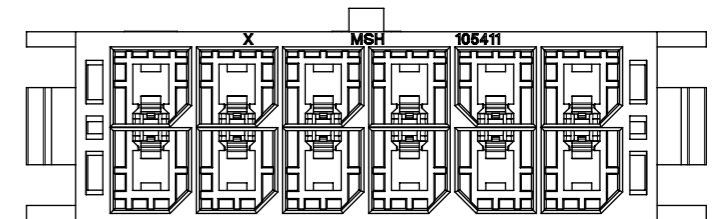
10 CIRCUITS



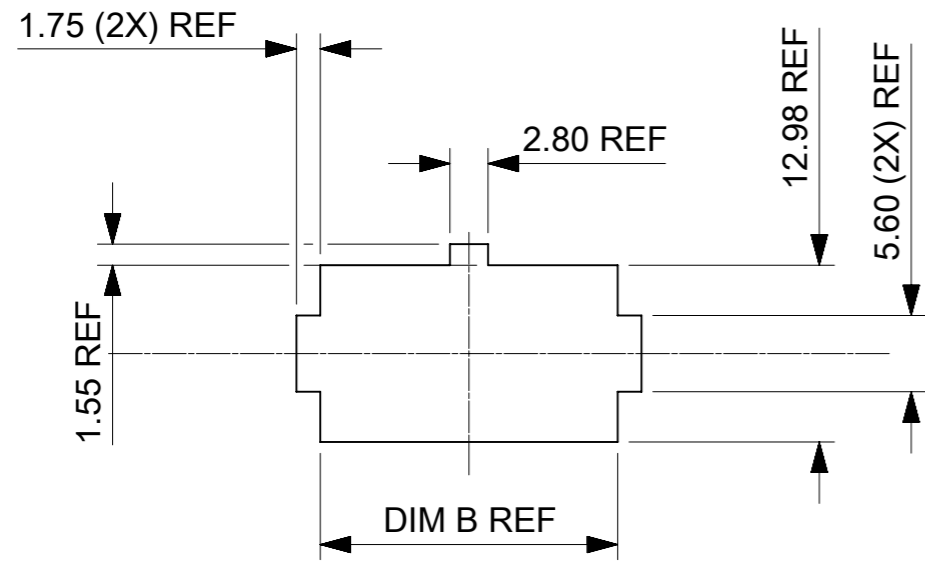
6 CIRCUITS



12 CIRCUITS



POLARIZATION LAYOUT



RECOMMEND PANEL APERTURE SIZE
PANEL THICKNESS 1.2MM-2.0MM

SYMBOLS	THIS DRAWING CONTAINS INFORMATION THAT IS PROPRIETARY TO MOLEX ELECTRONIC TECHNOLOGIES, LLC AND SHOULD NOT BE USED WITHOUT WRITTEN PERMISSION		<p>molex</p> <p>MEGA-FIT PANEL MOUNT DR PLUG</p> <p>PRODUCT CUSTOMER DRAWING</p>			
	DIMENSION UNITS	SCALE				DOCUMENT NUMBER
▽ = 0	mm		1054110200	PSD	000	D1
▽ = 0	GENERAL TOLERANCES (UNLESS SPECIFIED)		SHEET NUMBER			
▽ = 0	ANGULAR TOL ± 0.5°		2 OF 2			
▽ = 0	4 PLACES ±		CURRENT REV DESC:			
▽ = 0	3 PLACES ±		EC NO: 628261			
▽ = 0	2 PLACES ± 0.25		DRWN: ALUO02 2019/11/28			
▽ = 0	1 PLACE ± 0.35		CHK'D: AYIN 2019/12/11			
▽ = 0	0 PLACES ±		APPR: AYIN 2019/12/11			
□ = 0	DRAFT WHERE APPLICABLE MUST REMAIN WITHIN DIMENSIONS		INITIAL REVISION:			
■ = 0	THIRD ANGLE PROJECTION		DRWN: YXZHENG 2016/12/15			
▽ = 0	DRAWING		APPR: YXZHENG 2018/08/06			
	A3-SIZE		SERIES			
	105411		MATERIAL NUMBER			
	SEE CHART		CUSTOMER			
	GENERAL MARKET					