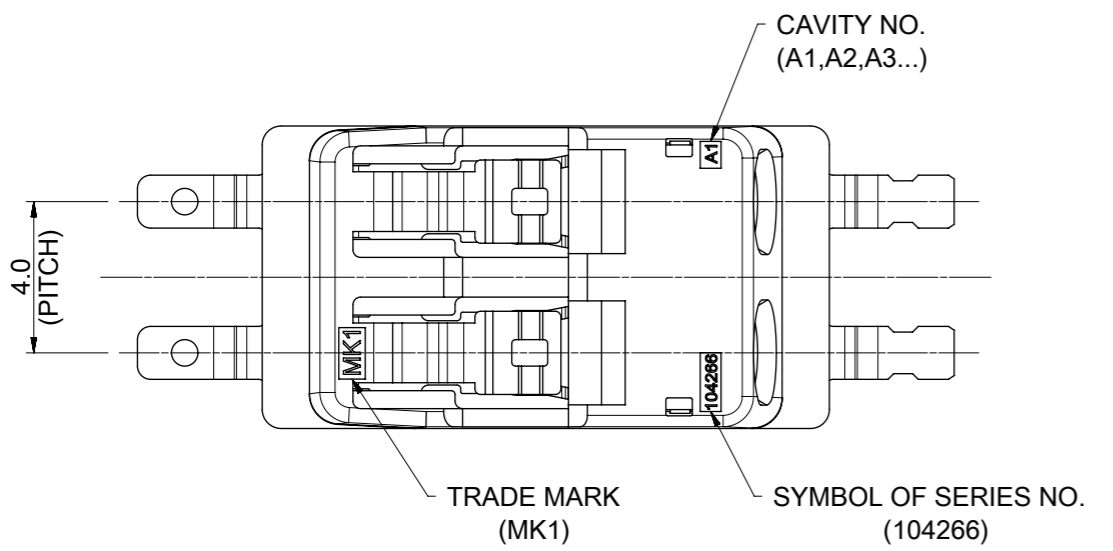
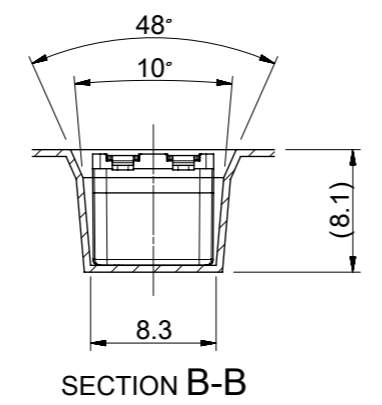
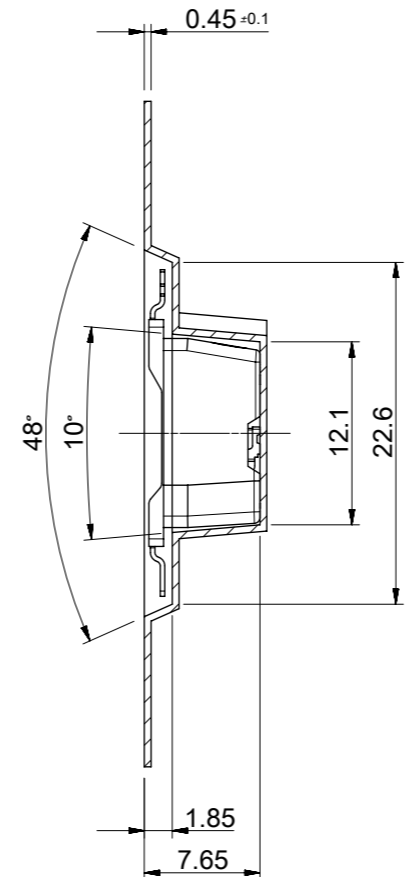
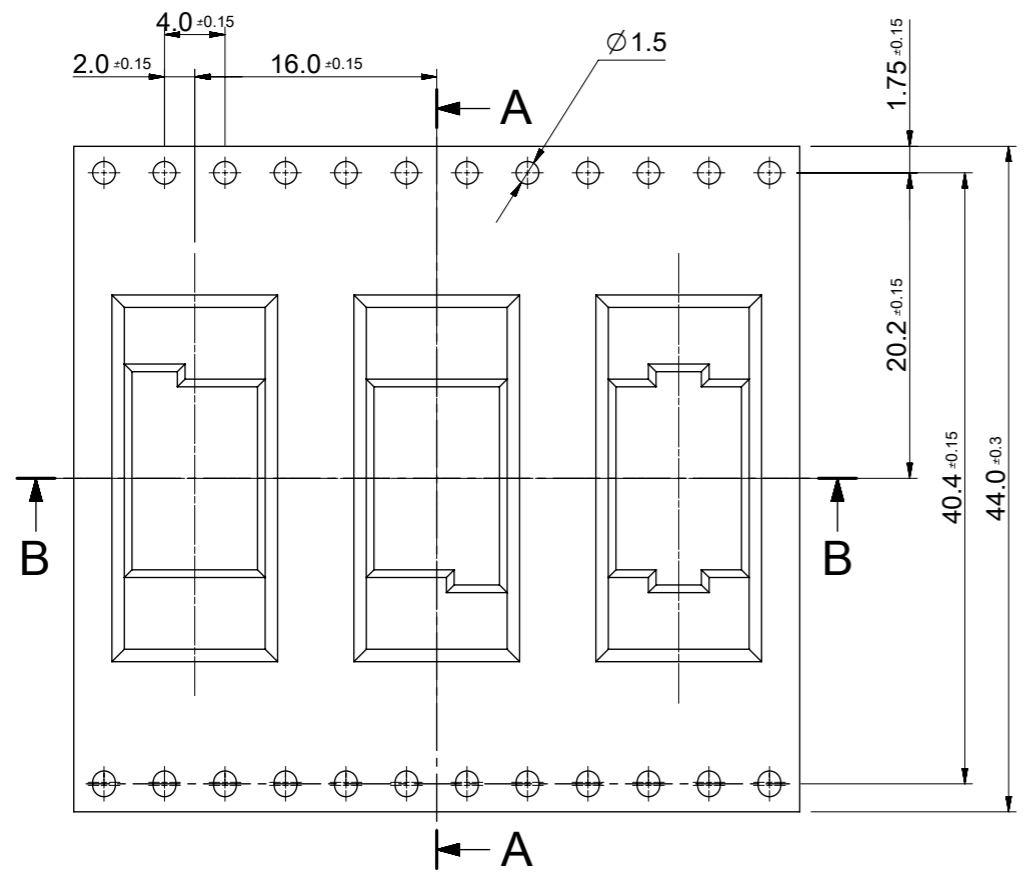


SET INSTALLTION OF PCB & CHASSIS OR HEATSINK

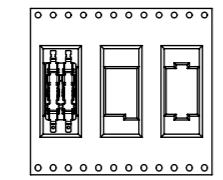
- NOTE**
- MATERIAL**
 - HEADER : LIQUID CRYSTAL POLYMER(LCP) UL94V-0, HALOGEN FREE, COLOR OF NATURAL
 - CONTACT TERMINAL : COPPER-ALLOY, 0.3mm THICKNESS
 - PLATING**
 - CONTACT TERMINAL : TIN -PLATED 0.8μm MINIMUM TIN PLAING
 - PRODUCT SPECIFICATION : RPS-104266-001**
 - PACKAGING SPECIFICATION : PK-104266-001**
 - COPLANALITY OF SOLDER TAILS (PEAK TEMP. : 260°C), BEFORE & AFTER REFLOW : 0.08 MAX.**
 - APPLICABLE SOLIDE WIRE RANGE : (OUTSIDE WIRE INSULATION : 2.1mm DIAMETER MAX.)**
 - SOLID WIRE : AWG #24~#18
 - STRAND WIRE : AWG #24~#20



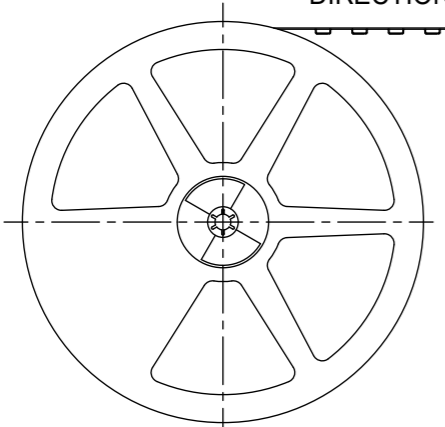
QUALITY SYMBOLS	THIS DRAWING CONTAINS INFORMATION THAT IS PROPRIETARY TO MOLEX ELECTRONIC TECHNOLOGIES, LLC AND SHOULD NOT BE USED WITHOUT WRITTEN PERMISSION																
	▽A = 0	2017/07/20	GENERAL TOLERANCES (UNLESS SPECIFIED)		DIMENSION UNITS	SCALE											
▽E = 0	2017/08/08	ANGULAR TOL ± 3.0 °		MM	5:1												
▽F = 0	2017/08/08	4 PLACES ±	DRWN BY		DATE	LITE TRAP CONN. BOTTOM ENTRY TYPE HEADER ASS'Y 2CKTS											
▽ = 0		3 PLACES ±	SCHONG03		2016/02/20												
▽C = 0		2 PLACES ± 0.15	CHK'D BY		DATE	PRODUCT CUSTOMER DRAWING											
▽ = 0		1 PLACE ± 0.2	SHCHU		2016/02/20												
▽ = 0		0 PLACES ±	APPR BY		DATE	<table border="1"> <tr> <td>SERIES</td> <td>MATERIAL NUMBER</td> <td>CUSTOMER</td> </tr> <tr> <td>104266</td> <td>1042660210</td> <td>GENERAL MARKET</td> </tr> </table>				SERIES	MATERIAL NUMBER	CUSTOMER	104266	1042660210	GENERAL MARKET		
SERIES	MATERIAL NUMBER	CUSTOMER															
104266	1042660210	GENERAL MARKET															
▽ = 0		DRAFT WHERE APPLICABLE MUST REMAIN WITHIN DIMENSIONS		DRAWING SIZE	THIRD ANGLE PROJECTION	<table border="1"> <tr> <td>DOCUMENT NUMBER</td> <td>DOC TYPE</td> <td>DOC PART</td> <td>SHEET NUMBER</td> </tr> <tr> <td>SD-104266-003</td> <td>PSD</td> <td>001</td> <td>1 OF 2</td> </tr> </table>				DOCUMENT NUMBER	DOC TYPE	DOC PART	SHEET NUMBER	SD-104266-003	PSD	001	1 OF 2
DOCUMENT NUMBER	DOC TYPE	DOC PART	SHEET NUMBER														
SD-104266-003	PSD	001	1 OF 2														
▽ = 0				A3													



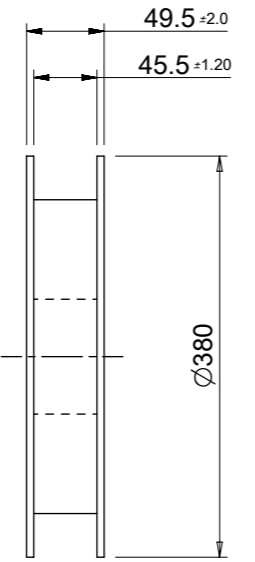
PULL OUT DIRECTION →



PULL OUT DIRECTION →

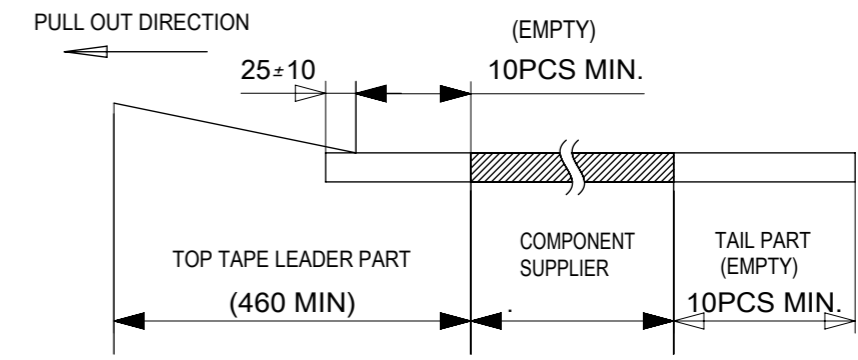


PLASTIC BOBBIN

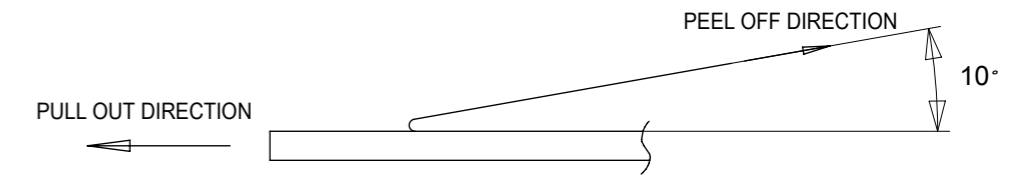


NOTES

1. NUMBER OF CONNECTORS : 700 PCS/REEL.
2. LEAD TAPE LENGTH.



3. PEEL-OFF FORCE OF TOP TAPE : 0.1N~0.59N (10.2gf~60gf)
(PEELING DIRECTION AS SHOWN IN FOLLOWING FIG.)
<PEEL-OFF SPEED : 300mm/min (REF.)>



4. FLASH IN ANY PORTION SHOULD BE LESS THAN 0.20mm MAX.
5. UNLESS OTHERWISE SPECIFIED INNER R0.2 MAX

QUALITY SYMBOLS ▽A = 0 ▽E = 0 ▽F = 0 ▼ = 0 ▽C = 0 ⊠ = 0 ■ = 0 ▽ = 0	THIS DRAWING CONTAINS INFORMATION THAT IS PROPRIETARY TO MOLEX ELECTRONIC TECHNOLOGIES, LLC AND SHOULD NOT BE USED WITHOUT WRITTEN PERMISSION				DIMENSION UNITS: MM SCALE: 2:1				
	EC NO: 120165 DRWN: JSSHIN CHK'D: SHCHU APPR: YSKIM02	2017/07/20 2017/08/08 2017/08/08	GENERAL TOLERANCES (UNLESS SPECIFIED) ANGULAR TOL ± 3.0 °		DRWN BY: SCHONG03 DATE: 2016/02/20	CHK'D BY: SHCHU DATE: 2016/02/20			
DRAFT WHERE APPLICABLE MUST REMAIN WITHIN DIMENSIONS		DRAWING SIZE: A3 THIRD ANGLE PROJECTION		APPR BY: YSKIM02 DATE: 2016/03/03			PRODUCT CUSTOMER DRAWING		
B		REV		SERIES: 104266 MATERIAL NUMBER: 1042660210 CUSTOMER: GENERAL MARKET		DOCUMENT NUMBER: SD-104266-003 DOC TYPE: PSD DOC PART: 001 SHEET NUMBER: 2 OF 2			