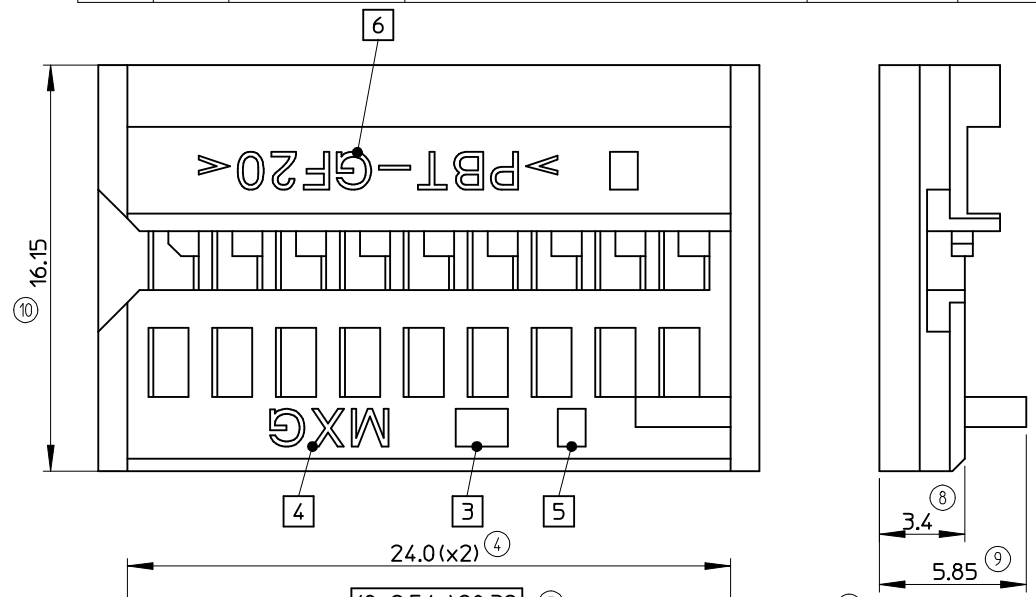


1	Piece	98691 0002	MOX RCPT HSG KEY2 PBT BLK 9CKT	PBT-GF20	BLACK	2	1,05
1	Piece	98691 0001	MOX RCPT HSG KEY1 PBT GRY 9CKT	PBT-GF20	GREY	1	1,05
AMOUNT	UNIT	MATERIAL NO.	DESCRIPTION	MATERIAL	COLOUR	KEY	WEIGHT (g)



NOTES:
Bemerkung:

1 - PARTS ARE SUITABLE FOR RECEPTACLE TERMINALS ACC. TO MOLEX DRAWING-NO. SD-98658-004, 0.635 MOX PART-NO: 98658-12XX
Passend für die Kontakte nach Molex Zeichnungs-Nr. SD-98658-004; 0,635 MOX Teile-Nummer: 98658-12XX

2 - CIRCUIT-NUMBER
Kammer-Nummer

3 - TOOLING-REVISION
Werkzeug-Revision

4 - MOLEX ENTITY IDENTIFICATION "MXG"
Molex-Werk-Kennzeichnung "MXG"

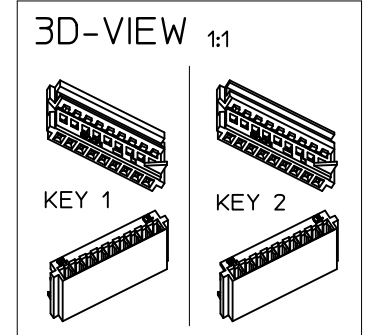
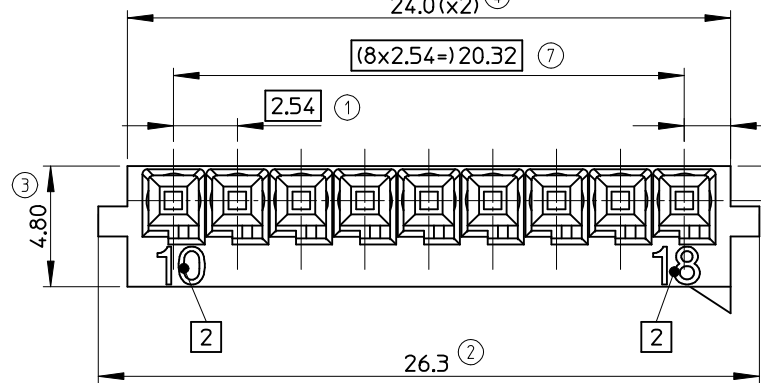
5 - CAVITY-NUMBER
Nest-Nummer

6 - MATERIAL MARK ">PBT-GF20<"
Materialkennzeichnung ">PBT-GF20<"

7 - LAST INSPECTION NUMBER: 14
REMOVED:
Letzte Maßidentifikationsnummer: 14
entfernt:

THEORETIC DIMENSION
Theoretisches Maß

SHOWN VIEWS ARE: KEY 1 (98691-0001)
Gezeichneten Ansichten: Kodierung 1 (98691-0001)



EC NO: G2005-0070 DRWN: MLUTZ 2004/11/24 CHKD: SFARKAS 2004/11/24 APPR: JHOYER 2004/11/25	QUALITY SYMBOLS = 0 = 0	GENERAL TOLERANCES (UNLESS SPECIFIED)		DIMENSION STYLE MM ONLY		SCALE 5:1	DESIGN UNITS METRIC	FIRST ANGLE PROJECTION			
		4 PLACES ± --- ± ---	3 PLACES ± --- ± ---	2 PLACES ± 0.25 ± ---	1 PLACE ± 0.25 ± ---	ANGULAR ± 2 °	DRAWN BY NME	DATE 02/02/18	TITLE RCPT HOUSING 9CKT		
		DRAFT WHERE APPLICABLE MUST REMAIN WITHIN DIMENSIONS					CHECKED BY VMA	DATE	FOR 0.635 MOX MOLEX INCORPORATED		
		SIZE A3		THIS DRAWING CONTAINS INFORMATION THAT IS PROPRIETARY TO MOLEX INCORPORATED AND SHOULD NOT BE USED WITHOUT WRITTEN PERMISSION			APPROVED BY JHO	DATE	MATERIAL NO. SEE TABLE	DOCUMENT NO. SD-98691-001	SHEET NO. 1 OF 1