

Amphenol Taiwan Corporation Product Change Notification

Part Numbers Concerned :	GSB3121XXXCHR	Originator:	Debby Hung
Customer P/N:		Issue Date:	2021/08/18
Product Description:	GSB3 SERIES, USB 3.0 A TYPE, SINGLE PORT STRAIGHT, PCB MOUNT	PCN NO:	1210-21001159
Distribution:			

Product Change Notice

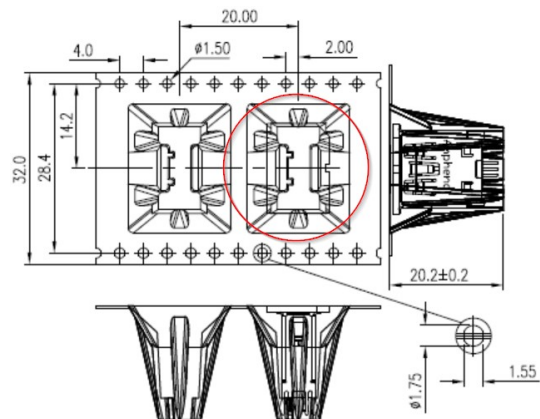
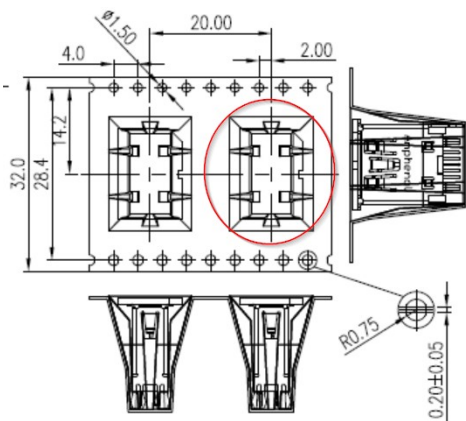
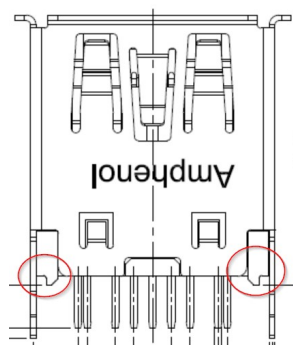
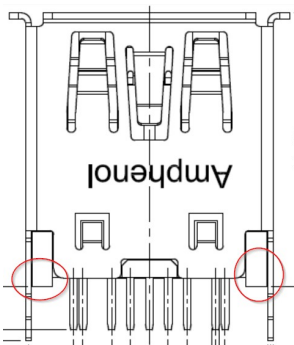
Update housing standoff and package carrier design.

P/N: GSB3121XXXCHR: REV:A1 -->

Old version part:

New P/N: GSB3121XXXCHR:REV: B1

New version part:



Background:

Process optimization.

Product Part Number Affected:

GSB3121XXXCHR

Implementation date:

Running change

Recommended Action:

Sales representative to inform customers for the drawing update.

