



**ANATECH ELECTRONICS INC**  
RF & Microwave Filters & Products

# 2120 MHz Cavity Band Pass Filter

**Part Number: AE2120B6928**



## Electrical specifications

**Center Frequency:** 2120 MHz  
**Bandwidth:** 50 MHz  
**Input / Output Impedance:** 50 Ohms  
**Passband:** 2095-2145 MHz  
**Passband Insertion Loss:** <1.0 dB  
**Passband Ripple:** <0.1 dB  
**Passband Return Loss:**  
**Rejection:** >50dB @ 0-1745 MHz  
**Rejection 2:** >50dB @ 2575-5000 MHz  
**Power Handling:** 50 W

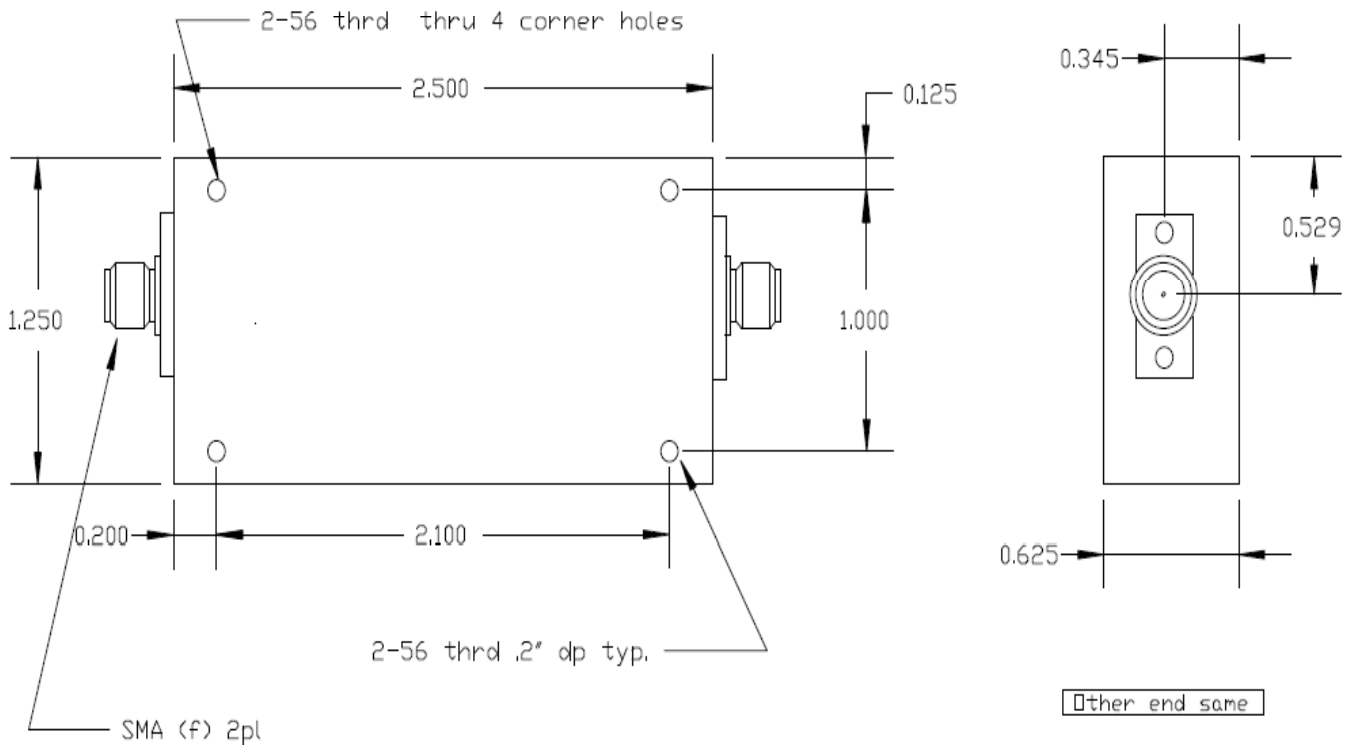
## Mechanical

**Mounting Method:** Threaded Mounting Holes  
**Connector Type:** SMA (F)  
**Dimensions:** 2.5" x 1.25" x .625"

## Environmental

**Operating Temperature:** -45 to +85 deg.C  
**Storage Temperature:** -55 to +95 deg.C  
**Shock:** 20 G. 11ms  
**Vibration:** 20 G. 5 to 200 MHz

## Outline Drawing:





**ANATECH ELECTRONICS INC**  
RF & Microwave Filters & Products

# 2120 MHz Cavity Band Pass Filter

Part Number: AE2120B6928



## Response Plot:

