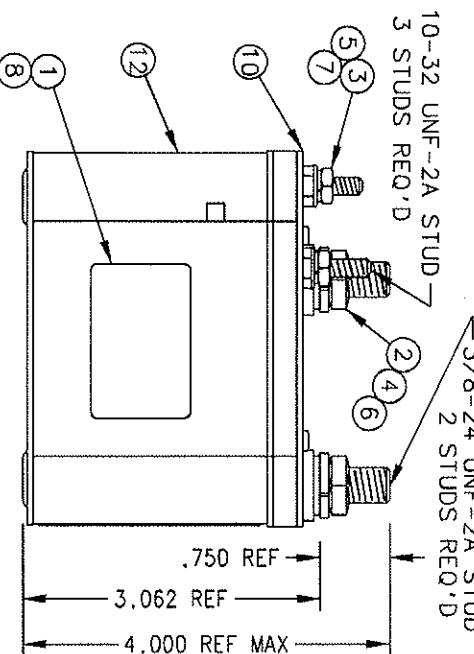
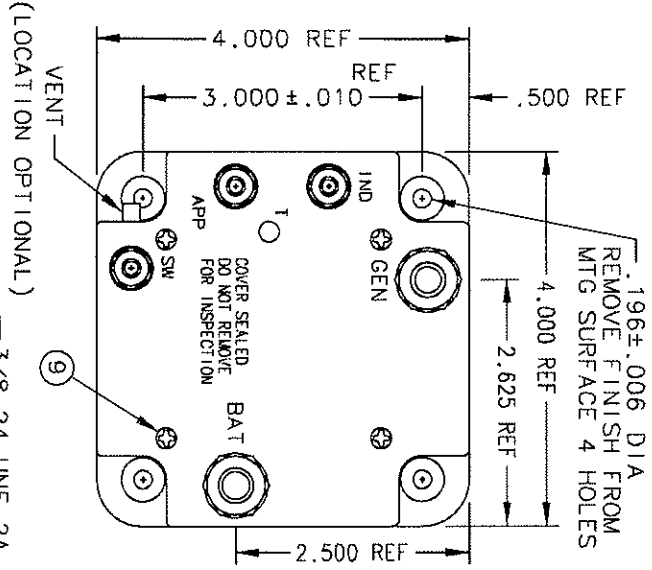


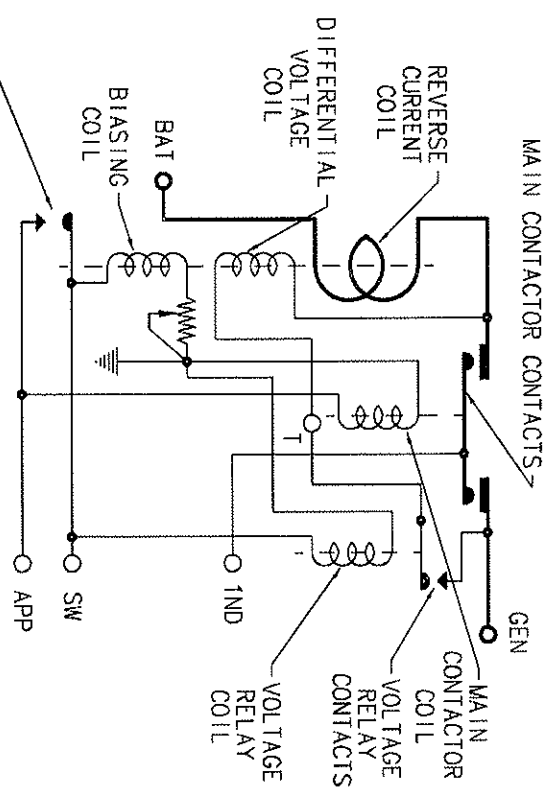
REVISIONS		DESCRIPTION	DATE	APPROVED
N	22769	REDRAWN TO CAEDS: EDIT DIM'S	93/02/13	WS
P	24162	ITEM #1 P/N WAS -001, ADDED. IT 8	93/06/28	WS
R	30491	REF. ADDED, PROPRIETARY NOTE REMOVED	93/06/28	

NOMINAL VOLTAGE 28 VDC  
 CURRENT RATING-CONTINUOUS 200 AMP  
 15 SEC 1000 AMP  
 1 MIN 500 AMP  
 5 MIN 300 AMP  
 INTERRUPTING CAPACITY 4500 AMP  
 REVERSE CURRENT SETTING 6-17 AMP  
 OVER A VOLTAGE RANGE 27.5±2.5 VDC  
 CALIBRATED AT 12±1 AMP RC AT  
 28 VDC & 25±5°C  
 DIFFERENTIAL VOLTAGE .85±.15 V  
 MAX WEIGHT 2 lbs 15 oz



NOTE:  
 DIFFERENTIAL VOLTAGE FOR PICKUP

1. THIS UNIT MEETS THE APPLICABLE PORTIONS OF MIL-R-8106
2. THIS UNIT SUPERSEDES A-700AQ-1, -3, & -6.



DIFFERENTIAL RELAY CONTACTS WILL OPEN WHEN 'SW' IS DE-ENERGIZED AS WELL AS ON REVERSE CURRENT CONFIGURATION CONTROLLED

QTY	PART OR IDENTIFYING NO.	DESCRIPTION	MATERIAL OR NOTE
12	36451-010	CUTOUT ASSEMBLY PRIMARY	
11			
10	07822-000	PLATE - BASE COVER	
9	51200-020	SCREW No. 4x1/4 BINDING HD	S.S.
8	39529-001	OVERLAY	
7	51712-194	WASHER, FLAT 7/16x13/64x.032	BRASS
6	51704-024	WASHER, FLAT 5/8x.390x.064	BRASS
5	51810-054	WASHER, LOCK #10 SPLIT	BRONZE
4	51807-084	WASHER, LOCK 3/8 SPLIT	BRONZE
3	50410-084	NUT, HEX 10-32x3/8x1/8	BRASS
2	50407-164	NUT, HEX 3/8-24x5/8x7/32	BRASS
1	16043-010	PLATE-NAME	

UNLESS OTHERWISE SPECIFIED DIMENSIONS ARE IN INCHES DECIMALS OR FRACTIONS		DR BY RLS/96/07/08	
2 PL DEC. 3 PL DEC. ANGLES		CHK BY	
REF		ENGR	
LOCKHEED-GEORGIA P/N 695792-2		MFG	
		RELEASE	
		CONTR NO.	
		GOVT APPVL	
HARTMAN ELECTRICAL MANUFACTURING MANSFIELD, OHIO		CUTOUT - REVERSE CURRENT	
SIZE CODE IDENT DNG NO.		SCALE NONE SHEET	
C 74063 A-700AQ-4		093	

DASH NO.	NEXT ASSY USED ON
	APPLICATION